



MEEA
MOBILE ENERGY AUSTRALIA
Specialists in vehicle mounted compressor & generator systems

SMAC 35DG/WG/5 IN 1 15HP Owner's / Operator's Manual



**35 CFM Diesel Driven Air Compressor C/W
Generator/Welder**

Revision: 12.1
Reviewed: 16/12/2021

**THIS PAGE IS LEFT
BLANK
INTENTIONALLY.**

MEA Product Warranty Registration Form

**THIS FORM MUST BE COMPLETED AND
RETURNED WITHIN 30 DAYS OF INSTALLATION
OR
WARRANTY WILL BE VOID**

CUT HERE



MEA Product Warranty Registration Form

This form must be completed and returned to MEA at the time of Installation. Warranty will be void if this form is not received by MEA within 30 days of installation.

MEA Dealer Information

Company Name: _____

City: _____ State: _____ Country: _____

MEA Installer Information

Company Name: _____

City: _____ State: _____ Country: _____

Installation Date: ____ / ____ / ____
 Day Month Year

Owner Information

Company Name: _____

Address: _____

City: _____ State: _____ Country: _____

Postcode: _____ Phone #: _____

Product Information

MEA Serial Number: _____

Model Number: _____

TABLE OF CONTENTS

1. COMPRESSOR / COMPRESSED AIR SAFETY	6
3. SPECIFICATIONS	9
4. OPERATING PROCEDURES.....	12
5. INSTALLATION.....	16
6. SCHEDULE MAINTENANCE	23
7. SPARE PARTS AND SERVICE KITS	25
8. TROUBLESHOOTING.....	26
9. DRAWINGS & ILLUSTRATIONS	28
10. WARRANTY	44
11. MOBILE ENERGY AUSTRALIA - CONTACTS.....	46

Both the MEA Product Warranty Registration form (located at the FRONT of this Manual) and the Kubota Engine Warranty Registration form (located at the back of this manual) are to be returned to MEA.

FAILURE TO RETURN EITHER FORM MAY RESULT IN THE PRODUCT WARRANTY BEING VOID.

1. COMPRESSOR / COMPRESSED AIR SAFETY

(COMPRESSOR / COMPRESSED AIR)

MEA DISCLAIMS ALL LIABILITIES FOR DAMAGE OR LOSS OF EQUIPMENT AND PROPERTY, PERSONAL INJURIES (INCLUDING DEATH), AND CONSEQUENTIAL DAMAGES ARISING OUT OF ANY MEA SYSTEM NOT USED IN ACCORDANCE WITH THE OPERATOR'S MANUAL.

ALL UNITS ARE SHIPPED WITH A DETAILED OPERATOR'S MANUAL. THIS MANUAL CONTAINS VITAL INFORMATION FOR THE SAFE USE AND EFFICIENT OPERATION OF THE UNIT. READ THE OPERATOR'S MANUAL BEFORE STARTING THE UNIT. FAILURE TO ADHERE TO THE INSTRUCTIONS COULD RESULT IN SERIOUS BODILY INJURY OR PROPERTY DAMAGE.

Care is required when working with an air compressor or compressed air. Compressed air is one of the many way's energy can be stored. Releasing the stored energy in an uncontrolled manner can result in catastrophic consequences. Death and permanent disability are possibilities that can occur. The following are suggested as minimum requirements to be followed when operating the MEA SMAC system. It is important that each work site shall perform a risk analysis and produce a procedure to eliminate or control the hazardous condition to minimise the risk to personnel and equipment. Health and Safety Regulations necessitate that this is a compulsory process to be carried out on each site. These, together with site specific safety procedures will help to minimize the risk to accidents, personnel injury, and loss of life. It is the responsibility of the employer to ensure that the work site is safe for all employees and that the safety procedures are followed by all employees.

SAFETY WHEN OPERATING AN AIR COMPRESSOR

- Do not bypass or disable the oil temperature and pressure sensors – unless planning on running to failure (MEA does not recommend the practice).
- Do not expose the tank or compressor to extreme heat.
- Do not perform any service or repairs until the system has been completely relieved of air pressure.
- Maintenance and repairs on the system should only be done by qualified personnel.
- Do not operate the compressor while driving.
- Do not tamper with the pressure relief valve.
- Follow safe work practice, wear the appropriate personal protective equipment (PPE) when operating air-powered equipment, particularly eye and hearing protection.
- Avoid contact with rotating components, ensure all safety guards are in place.
- Avoid all contact with pressurized air. If it penetrates the skin, it can enter blood stream and cause death.
- Vaporized oil propelled by high pressure is an explosive mixture. To prevent compressor explosion or fire, make sure that the air entering the compressor is free of flammable vapours.
- Do not breathe the compressor air, vaporized oil is a respiratory hazard.
- Stay clear of all moving parts when the system is operating.
- Follow safety procedures for tyre service operations as set by the authority.

2. INTRODUCTION

This MEA (SMACD-G/WG) Service Maintenance Air Compressor utilises a diesel engine to power the compressor and generator or welder generator. Only those who have been trained and who have read and understand the operator and installation manual should operate and install the MEA (SMACD-G/WG/ 5 IN 1). This manual contains vital information on integrating the compressor system into the vehicle system and to ensure that it is installed and operated in a safe and efficient manner.

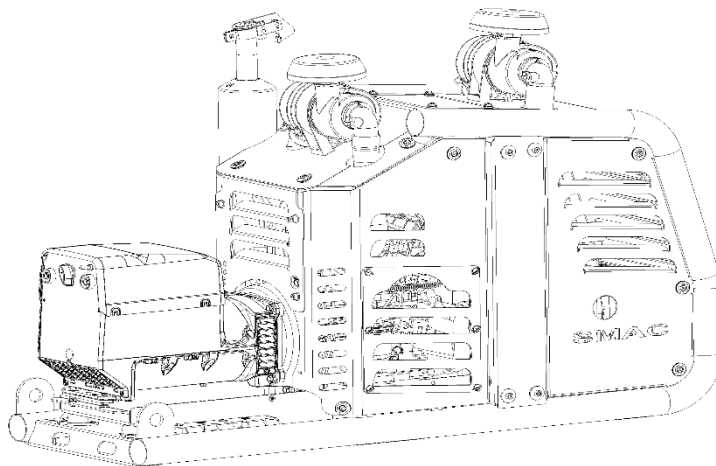


Detailed Information on the compressor, generator/welder, 5 IN 1 generator and the engine are supplied separate to this Owners / Operators Manual.

The specifications on the following pages are an overview of the major components used on SMAC.

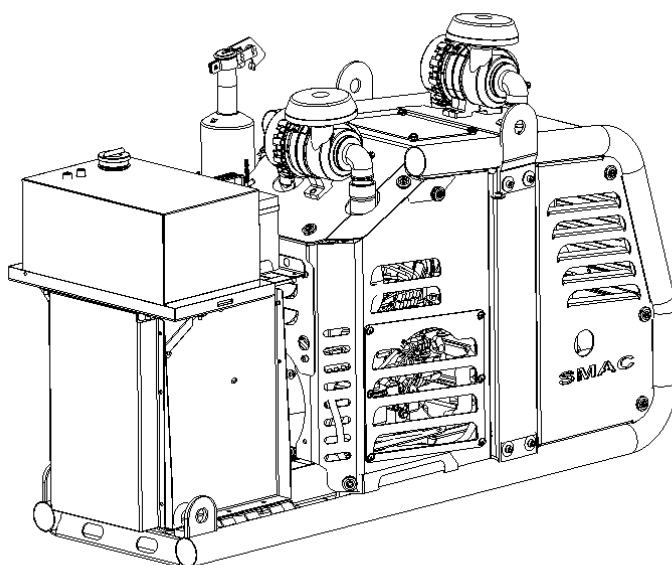
INTRODUCTION - *continued*

The following is a view of SMAC fitted with the generator option.



Detailed Information on the compressor and the engine are supplied separate to this Owners / Operator manual. The specifications on the following pages are an overview of the engine and the compressor used on SMAC35-DG.

The following is a view of SMAC fitted with the Battery Fuel module option.



3. SPECIFICATIONS

Compressor Type:	Oil injected rotary screw compressor
Drive System:	Diesel powered via direct mechanical coupling
Control:	Pneumatic
Maximum Air Delivery	35 CFM @ 150 psi
Pressure Regulation:	Mechanical inlet control valve modulates flow in response to demand
Inlet Valve Regulation	Pneumatic
Engine Control System:	Pneumatic speed control, engine and compressor high temperature and pressure engine shutdown system
Safety Features	200 PSI relief valve in compressor sump Temperature safety sensor in the compressor Rapid blow-down valve to discharge system pressure on shutdown
Lubrication:	All replacement compressor oils must be approved by MEA prior to use. Warranty will be nullified if oil has not been approved. MEA certified and approved semi synthetic compressor oil Part Number 10019 – P002 Quantity of Compressor Oil Required – 4 Litres
Filters	Paper-type replaceable air filters Spin-on type fuel filter Spin-on type compressor oil filter Spin-on type Coalescing filter element

SPECIFICATIONS - Continued

Generator Option: Single or 3 Phase Generator, Generator / Welder or 5 in 1 Generator options

Single or 3 Phase Generator Features

- 2 Poles
- Single Phase AC 5 to 8.5 kVA
- 3 Phase AC 7.5 to 10 kVA
- IP23

Generator Welder Features

- 2 poles brushless alternating-current rotating welders
- Protection: IP 23
- Weldable electrodes: rutile
- Supplied with auto resettable thermal breaker against overload
- Can also be used as single-phase alternator

5 in 1 Generator features

- 2 Poles
- DC welder with Arc Force regulation and remote-control connector
- AC generator with single & three-phase outputs
- Battery charger with protection device against polarities inversion 12/24/36/48
- Jump Starter V.13/350 Amps in one shot

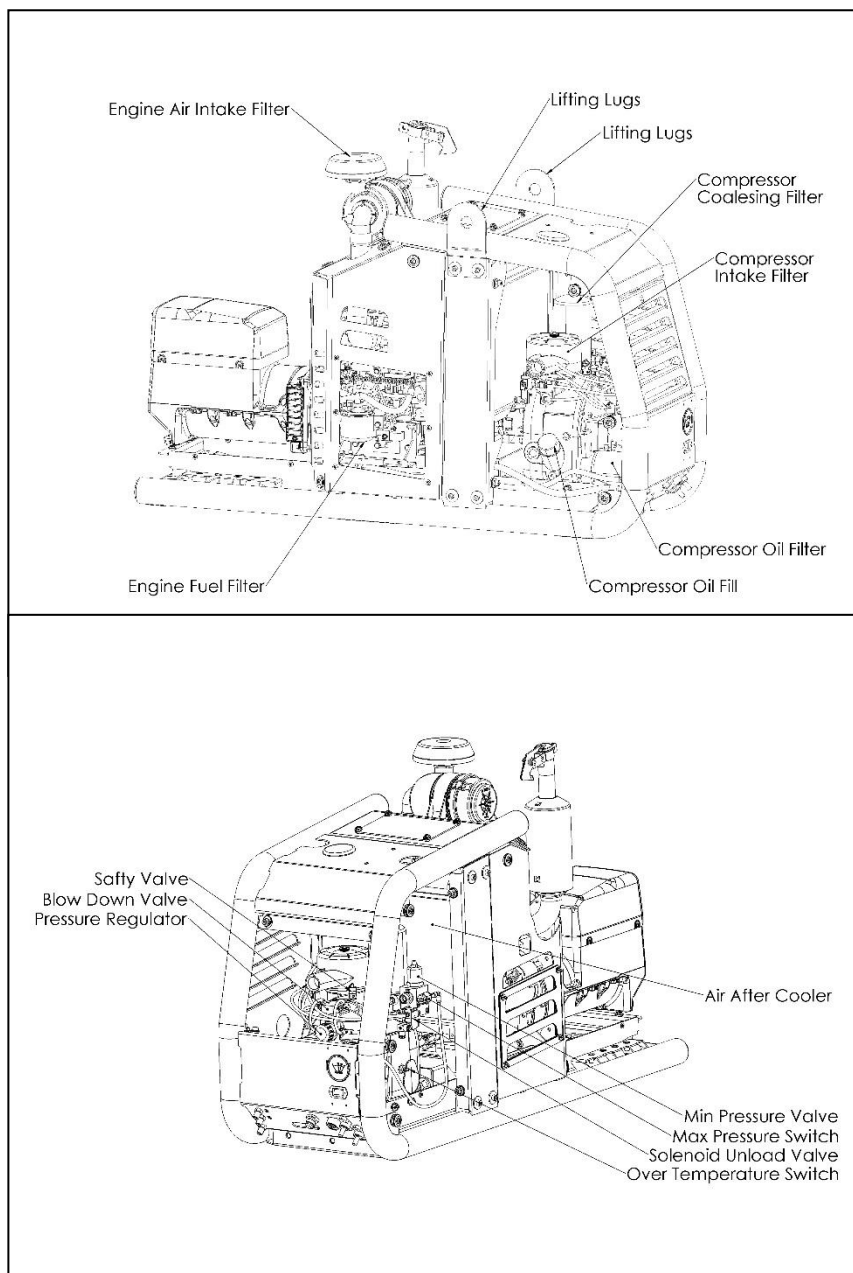
SPECIFICATIONS - *continued*

Engine Model:	Kubota Z602						
Engine Type:	2 Cylinder, water cooled, Diesel Combustion Engine						
Power (continuous):	10 Kw (13.5 HP) @ 3600RPM						
Electrical System:	12 Volts DC						
Maximum RPM:	3160 (max bare speed) in Generator Mode						
Direction of Rotation:	counter clockwise (viewed from flywheel)						
Engine Control System:	Electric push button start pneumatic speed control via air cylinder. (Older model uses key start)						
Engine Protection:	Engine low oil pressure and high-coolant temperature sensors.						
Lubrication:	<p>MEA approved oil to meet strict emission control regulations, min. class “CF” or better is required. If oil does not meet the minimum requirements, all warranty will be nullified.</p> <p>IMPORTANT:</p> <p>Engine oil should be MIL-L-2104F or have properties of API classification CF grades or higher. Change the type of engine oil according to the ambient temperature.</p> <table> <tr> <td>Above 25°C (77°F)</td> <td>SAE30 or SAE10W-30 or SAE15W-40.</td> </tr> <tr> <td>0°C to 25°C (32°F to 77°F)</td> <td>SAE20 or SAE10W-30 or SAE15W-40</td> </tr> <tr> <td>Below 0°C (32°F)</td> <td>SAE10 or SAE10W-30 or SAE15W-40</td> </tr> </table> <p>Engine Oil quantity 2.5L</p>	Above 25°C (77°F)	SAE30 or SAE10W-30 or SAE15W-40.	0°C to 25°C (32°F to 77°F)	SAE20 or SAE10W-30 or SAE15W-40	Below 0°C (32°F)	SAE10 or SAE10W-30 or SAE15W-40
Above 25°C (77°F)	SAE30 or SAE10W-30 or SAE15W-40.						
0°C to 25°C (32°F to 77°F)	SAE20 or SAE10W-30 or SAE15W-40						
Below 0°C (32°F)	SAE10 or SAE10W-30 or SAE15W-40						
Filters:	<p>Air Filter - Paper-type replaceable (Not Possible to Clean)</p> <p>Spin-on type fuel filter (Not Possible to Clean)</p> <p>Spin-on type oil filter - Spin on type (Not Possible to Clean)</p> <p>Engine fuel filter – In Line Element (Not Possible to Clean)</p>						

4. OPERATING PROCEDURES

PRE-START CHECK EACH DAY

1. Check the oil level in the engine.
2. Check the water level in the engine.
3. Check the oil level in the compressor
4. Check all hoses are secured and not damaged. Replace all damaged hoses before starting.
5. Check all electrical cables are secure. Secure all cables that are not tied down.
6. Check the air inlet and air filter on the engine are clear.



OPERATING PROCEDURES - *continued*

STARTING / STOPPING DIESEL ENGINE AND COMPRESSOR – NEW CONTROL BOX
(INTRODUCED: 29/06/16) *Note: Wiring harness has blue trace for ID. Not interchangeable to previous version i.e., key ignition starts.*



STARTING THE DIESEL ENGINE

1. Check the COMPRESSOR ROCKER SWITCH is set to the OFF position (centre position).
2. Press the ON/OFF/GLOW rocker switch to the LOWER POSITION – this is the Glow hold and it will disengage if you release. Do not hold this position for longer than 15 seconds. The system could be damaged should you extend the time beyond the 15 seconds. Releasing glow hold will leave the system in OFF position (middle position).
3. Ensure ON/OFF/GLOW Switch still in ON position (Upper position). Start the engine by depressing the START SWITCH – The engine should turn on immediately. Hold the switch for no longer than 10 seconds.
4. If the engine does not start, check the fuel tap if there is one and repeat the process described in 2 and 3 above. The maximum number of attempts should be limited to 4 and after this; the operator should seek assistance from a mechanic.
5. Allow the engine to run at no load for 2-3 minutes. This will allow the engine to warm up and lubrication system to be fully operational before the load is applied.

STARTING THE COMPRESSOR

1. Set the COMPRESSOR SWITCH to the ON position. This will engage the compressor load solenoid. The engine speed will increase until the pre-set regulated pressure is reached.
2. Listen for air escaping from the pressurized air system. Ensure all airline taps are closed so that compressor outlet air can reach regulated pressure.

OPERATING PROCEDURES – *continued*

3. If the escaping air is from a broken pipe or connection, turn the COMPRESSOR SWITCH to the OFF position. Stop the diesel engine. Advise the maintenance department for their assistance.
4. The engine will reduce its RPM when the compressor reaches the pre-set regulated pressure. The compressor is now ready to be used. (It should be noted the pre-set regulated pressure can be adjusted via the regulator control valve. It is recommended that your maintenance department does this if required.)
5. The compressor is ready to use.

STOPPING THE COMPRESSOR UNIT

1. Disengage the compressor by moving the compressor engage switch to the “Compressor Off” position.
2. The compressor will shut down and bleed off pressure. The engine will come down to idle speed.
3. It is good practice to allow the engine to run under no load for 2-3 minutes.
4. Turn the engine off by pressing the ON/OFF/GLOW rocker switch to the centre position. If you hear a slight “hissing” noise this is normal, the compressor is bleeding off excess pressure out of the system.

OPERATING THE GENERATOR (OPTION)

1. Start engine as per previous instruction.
2. Plug the electrical load into the outlets and switch outlets on.
3. As soon as the device is switched on, the automatic current sensing device will unload the compressor and either increase or decrease the RPM of the engine to maintain a constant 3000rpm thus maintaining the load until the load is switched off.
4. When the load is switched off the engine will idle down in under 10 seconds.

Note:

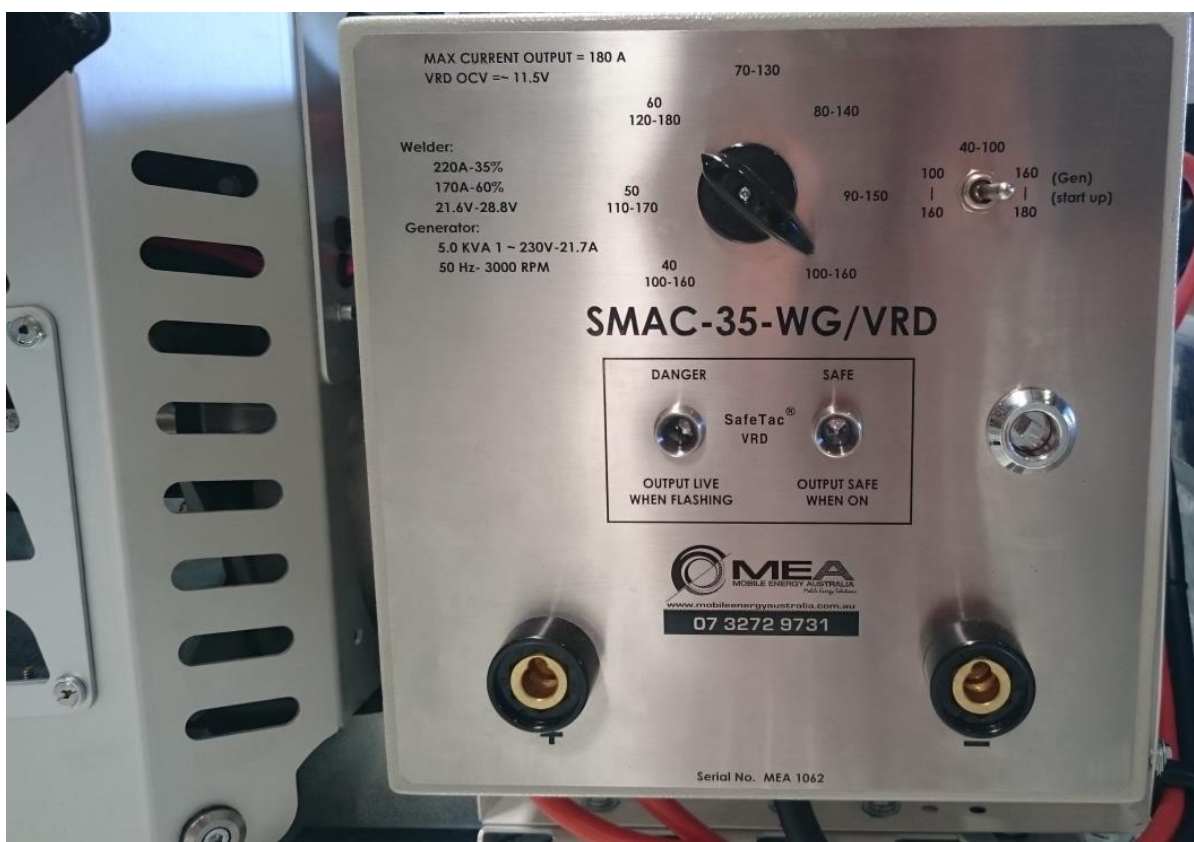
When operating the SMAC unit, only one device can operate at one time, either the compressor or the generator/welder generator. When operating the compressor, the diesel engine will increase speed until it reaches 3100rpm to deliver 35cfm. When using the generator, the compressor will be unloaded through the unloading valve. The diesel engine will maintain a constant 3100rpm to ensure consistent power regulation to the generator.

OPERATING PROCEDURES – *continued*

OPTIONAL VRD & Remote Mount VRD

The VRD relocates the welder/generator controls to a more convenient location as well as providing added safety when welding. The VRD control box visually shows when it is safe to weld. The original controls on the generator are blanked off and rerouted to the VRD control box.

Below pictured is the SMAC-35-WG/VRD box mounted to the side of the unit. The electrical schematic for the VRD control box can be found in the appendix.



5. INSTALLATION

SMACD unit consists of a rotary screw type driven by a diesel engine. Compression occurs when inlet air (at atmospheric pressure) enters a chamber where it is trapped between the rotating rotor lobes. A lubricated pitch line provides sealing. As the lobes mesh, they reduce the volume of the air, compressing it to the desired pressure.

The system has a two-stage air/oil separator. The first separation stage consists of baffles, which perform mechanical separation. The second stage uses a special separation element, which delivers dry air to the outlet. The second stage is a spin-on type coalescing filter.

Pressure regulation is achieved by adjusting the pressure regulator valve mounted in front of the compressor (Silver adjustable valve). The system pressure is pre-set at 150 psi. To reduce the pressure, either adjust the regulating valve or use a Filter Regulator Lubricator (FRL) to achieve the final tool pressure.

ENSURE THAT THE WATER SEPARATOR IS MOUNTED AS FAR FROM THE COMPRESSOR AS POSSIBLE AND THAT IT HAS AT LEAST TWO METRES OF HOISING BETWEEN THE COMPRESSOR DISCHARGE AND SEPERATOR INLET.

The compressor air intake is protected by a paper-type replaceable air filter, and a spin-on type oil filter for the oil side and a coalescing filter for final oil removal from the air.

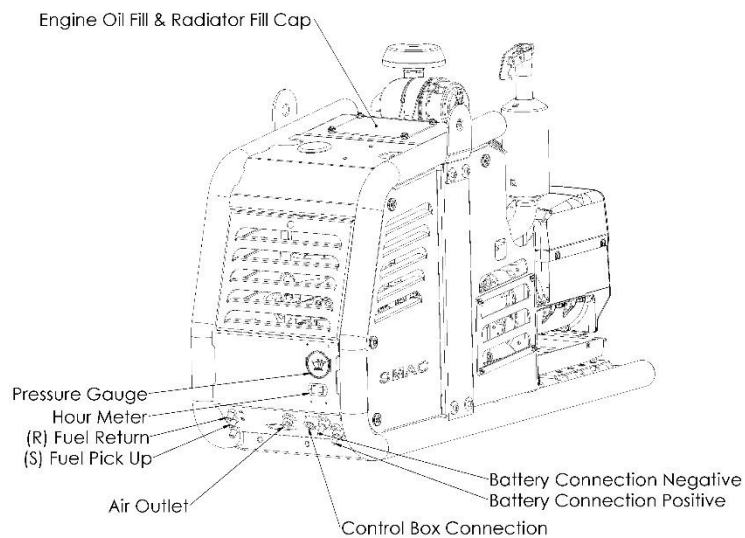
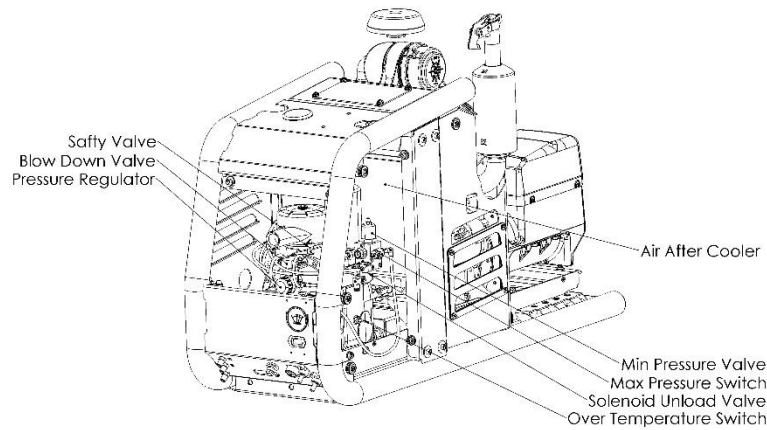
Safety features included in the compressor are:

- 200 PSI relief valve in separation manifold.
- Blow-down valve to discharge system pressure on shutdown - will not allow compressor restart until system pressure bellow 5PSI.
- Over temperature safety sensor in the compressor oil.
- Over pressure control mounted at the minimum pressure valve.
- **Do not disable or bypass the over-temperature shutdown circuits. Failure of the shutdown system could result in equipment damage, injury or death.**

A liquid-to-liquid air cooler with thermal bypass valve maintains operating temperatures in an optimal performance range. This helps to increase system durability and reduces the temperature of the compressed air.

INSTALLATION - *continued*

The information in this section is very important for proper operation of the compressor. Read these requirements before beginning installation. The following is a view of the compressor/diesel engine unit.



INSTALLATION – *continued*

1. General Consideration Mounting the Compressor Unit

The starting point for the installation is a quick overview of the requirements. Some of these points will be dealt with in more detail further on in this text. Things that should be considered now are as follows.

1. The unit should be installed in a well-ventilated area.
2. The unit will need to be installed level and any variation in the frame to be supported via washers for spacers and properly secured to the vehicle by means of 5.8 grade fasteners.
3. In installation, the unit should be orientated so that the sight level glass for oil level can be checked easily.
4. It should also allow to be serviced the unit easily without having to disconnect lines or remove and reposition the unit.
5. The unit should be protected from excessive exposure to the elements and possible incidental damage from other operations.
6. The unit should be installed in an area away from heat sources such as engines, exhaust systems or other components that generate heat.
7. The unit should not be installed in a location where it will be exposed to high contamination levels or combustible gases.
8. The engine exhaust should be routed away from the compressor unit. The engine exhaust should be in an area where the exhaust CANNOT be filled up with rain (an exhaust flapper is fitted to the exhaust) however the exhaust must not face directly down to the ground.

2. Mounting of Compressor Unit considering Ventilation

It is not possible to make absolute recommendations regarding ventilation because of the widely differing circumstances that are possible. Duty cycle, ambient temperature and enclosure shape are some of the important variables. Ideal ventilation will provide good airflow through the unit with no restrictions. Broadly speaking, there are two ways in which the SMAC compressor can be mounted.

1. Top or Deck Mounting

This is the preferred mounting location. Placing the unit in an area where there are no restrictions on the intake of fresh air and exhausting of hot air and exhaust gases. This provides the best cooling and ensures reliability and life for the compressor / diesel engine driven unit.

2. Enclosed Mounting

It is important that discussion occurs between the manufacturer and the person installing the unit when it is to be placed in an enclosed area. Ventilation is one of the most important things to consider when looking at the installation of a compressor/diesel engine driven unit in an enclosed area. It is important that the air intake to the compressor and the engine exhaust are located outside of the enclosed space. The unit generates a considerable amount of heat when running. Proper ventilation is vital for ideal operation and to avoid damage to components. Ensure there is a minimum of 10" (250 mm) clearance between cooler grills on SMAC and any other components mounted on the vehicle. It is strongly recommended that the installation is tested in the event that the unit is installed in an area considered to be enclosed mounting. The following is a method suggested for testing.

- 2.1 It is best to test the installation at the hottest expected ambient temperature.

INSTALLATION - *continued*

- 2.2 Setup and run the system at 120 PSI. This can be done by installing a ball valve on the air outlet pipe and adjusting the opening of the valve so that the compressor is running continuously at 120 PSI.
- 2.3 Record the engine, compressor, and current ambient temperature for future reference.
- 2.4 Run the system at full load for at least one hour or until the temperatures stabilizes. Temperature stabilizing means there is no rise in temperature for 15 minutes when the compressor is running at the rated load.
- 2.5 Record the engine and compressor temperatures every 10 minutes.
- 2.6 If the system over-heats, the ventilation is not sufficient, review the installation, make changes as needed, and repeat the test.

3 Engine Exhaust consideration when installing Diesel Engine Driven Compressor Unit

In cases that the exhaust system needs to be ducted away from the engine assembly, the following are a minimum that should be considered

- The exhaust pipe needs to be adequate for the engine.
- There needs to be a flexible joint at the point where the extension is connected to the exhaust system of the Diesel Engine Driven Compressor Unit.
- Ensure the exhaust pipe has suitable clearance and does not meet anything.
- Ensure that if the exhaust system has a method to prevent water from entering the exhaust system.
- Ensure exhaust from the diesel engine is routed in a way to prevent recirculation back into the unit.

4. Securing the Diesel Engine Driven Compressor Unit to the body of the vehicle.

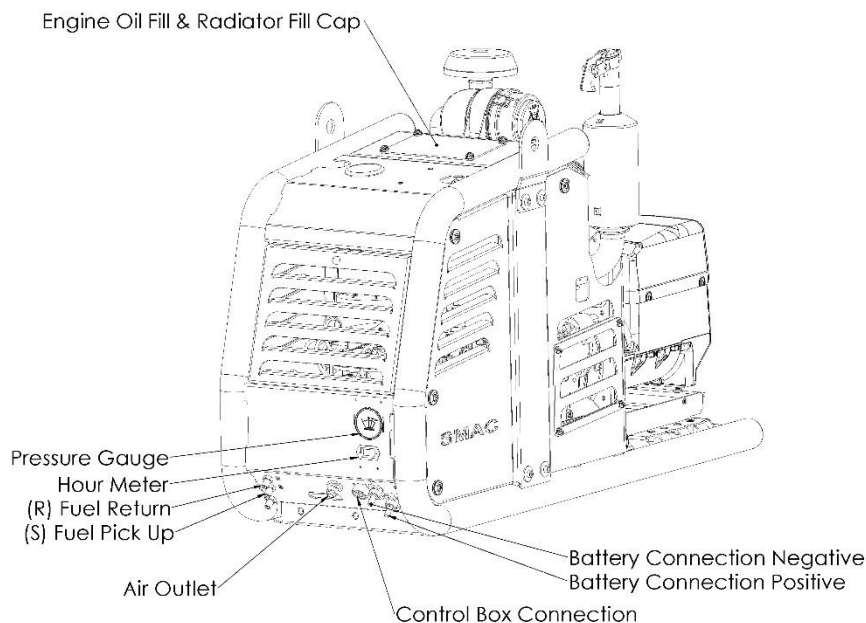
It is important to consider maintenance needs, (daily needs), service requirements, electrical connections, air connections, location of control panel before the SMAC is secured to the body of the vehicle.

- Locate a suitable mounting position for SMAC. Place the unit and check for clearances to any other objects.
- There are four weld nuts located at the four corners of the bottom formed plate which can be used as mounting bolt locations. Holes can also be drilled through the bottom of the formed plate if alternate locations are required.
- Drill four holes in mounting surface and secure the SMAC to the truck. Use a minimum of 4 – M12 bolts.

INSTALLATION – *continued*

5. Connecting Truck Electrics to the Diesel Engine Driven Compressor Unit

Electrical connection of SMAC to the truck is very simple. The entire control system is mounted in the SMAC.



1. The SMAC needs to be connected the truck battery. A minimum of 25mm cable is required for the connection because the SMAC is started using the truck battery. SMACD units are 12 Volt DC. If a truck is 24 Volt DC (Two of 12 Volt DC batteries are supplied in the truck), connection for the SMAC Unit will be across 1 of the batteries.
2. Start switch control box which includes the compressor load and unload switch needs to be connected to the SMAC front panel via the Deutsch plug provided at the end of the 5-metre cable of the control box. It should be noted; this switch box can be mounted in the cab of the vehicle if an extension harness is purchased or any location on the truck body.

6. Connection of the Diesel Engine Driven Compressor Unit to the fuel tank.

It is normal to use the trucks fuel tank for all models of the SMACD. The SMACD has as standard a fuel pump built into it. It is suggested that an additional electrical fuel pump is installed if the compressor unit is installed 20" (500 mm) above the height of the truck diesel tank. The following is the method for connecting the fuel to the compressor unit.

1. Cut the feed and return lines at the tank. Install the tees into the cut pipes.
2. Install the provided check valve at the T-Piece of the feed pipe.
3. Connect the diesel feed pipe to the compressor unit from the check valve. Connect the return line from the compressor unit to the return line tee.

INSTALLATION - *continued*

7. Remote Air Intake Filter Removed for Shipping (Optional).

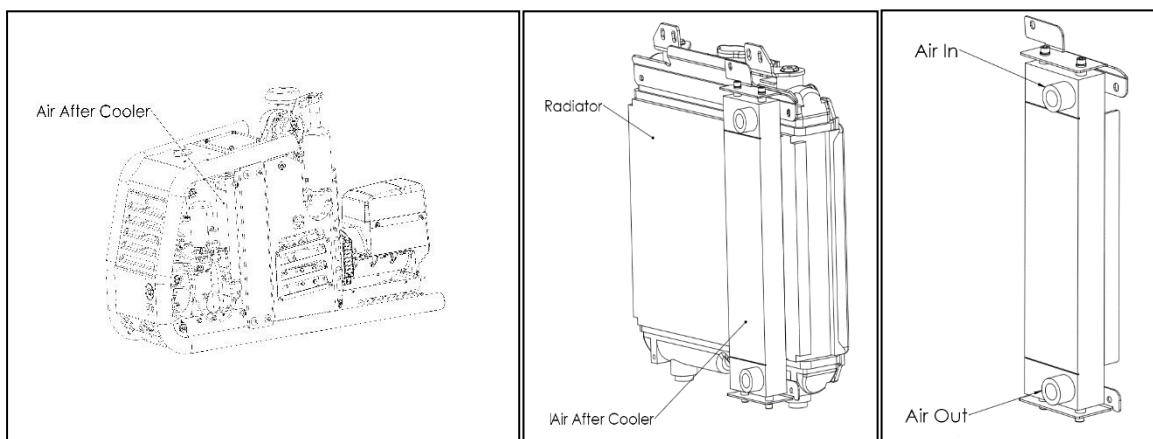
A label on the unit will indicate if the Air Compressor Filter has been removed for the purpose of shipping. IT IS IMPORTANT THAT THE FILTER IS FITTED BEFORE THE COMPRESSOR IS STARTED. The following is the instruction for fitting the filter to the compressor.

1. Remove the front access panel by pulling out the top of the panel until it is free of the rubber mounts, lift to free from bottom rubber mounts.
2. Put the hose clamp over the air hose protruding through the top panel and push the Air Intake Filter inlet tube into the hose.
3. Using the 2 off M8 x 30 bolts, flat washers, spring washers and nuts, bolt the Air Intake Filter into place.
4. Tighten the hose clamp and refit the front panel.

8. Supply of After Cooler for Diesel Engine Driven Compressor Unit.

It is important for most air tools, that the air supplied should be free of moisture. High content of moisture in the air will considerably reduce the reliability and life of the air tool. In applications such as painting with air guns, the finish can be greatly affected by moisture in the air.

Filters used in the standard filter regulator lubricator units have a limit to what they can handle. It is suggested in areas of high humidity or in situations where the standard FRL is not able to cope with the moisture that a MEA AFTERCOOLER (Part Number 7201-B0020) is installed onto the compressor unit. And a MEA water separator be installed with electric solenoid operated drain valve part number (See Accessories). The following picture shows the MEA AFTERCOOLER installed onto a SMAC-D.



INSTALLATION - *continued*

9. Completing the Installation - Before Checking the System

Make sure that the following have been completed before operating the MEA Diesel Engine Driven Compressor Unit

1. Check the compressor oil level; make sure the compressor has been filled to the correct level prior to shipping. Note that the oil is very clear, and it is difficult to see the level.
2. Check the engine coolant level.
3. Check the engine oil level.
4. Check fuel level.
5. Do a final inspection to make sure that all fasteners and connections are tight.
6. Check that all hoses and wiring are secure and protected.

10. Check Operation – Setup & Performance Testing of Diesel Driven Compressor.

- 1 The compressor is dispatched from the factory with the pressure pre-set to the customer specification. Should the customer want to alter this setting, the instruction on how to do this can be found in the compressor manual.
- 2 Install the ball valve on the outlet of the hose from the compressor. Set the ball valve to the closed position.
- 3 Refer to Pages 7 and 8 of this manual for the method to be used to start the compressor.
- 4 On starting and running, the air pressure will be found to be at the pressure specified by the customer and the engine will be at the lower speed (idle speed). The Unit has been adjusted by the factory to the customer specification. If the pressure is not at the specified pressure, refer to MEA before attempting any adjustments.
- 5 Listen for leaks in the air line. You should hear a hissing sound if there are any leaks. Rectify any leaks you may find.
- 6 Keep the system running at the pre-set pressure until the compressor is up to operating temperature.
- 7 Using the ball valve located on the outlet of the compressor, slowly open the ball valve, and watch the pressure drop. The pressure will drop up to the point that the pressure is 20 PSI below the setting detailed in 1 above. The engine will speed up to the maximum pre-set RPM.
- 8 Keep the opening of the ball valve at the setting described in (7) above for about 5 minutes. The engine should continue to run at the maximum pre-set RPM.
- 9 Slowly close the ball valve and watch the pressure while closing. The engine will drop to the lower speed when the pressure described in (1) above is reached.
- 10 Your compressor is working correctly if it is operating as per this description

6. SCHEDULE MAINTENANCE

The maintenance intervals recommended are based on standard operating conditions. The intervals for inspection, lubrication and maintenance given herein are maximum intervals and it should be noted to schedule the maintenance accordingly to sites.

When is unit is being operated in a dusty environment, in high ambient temperatures or in other unusual conditions, an assessment needs to be done for shorter service interval?

A planned program of periodic inspection and maintenance will help to avoid premature failure and costly repairs. Daily visual inspections should become routine.

	SMAC D SERVICING		
ROTORCOMP	MACHINE HRS	KUBOTA ENGINE	SEE KUBOTA ENGINE
	50	50HR SERVICE	REFER TO MANUAL
	200	200HR SERVICE	REFER TO MANUAL
400HR SERVICE	400	400HR SERVICE	REFER TO MANUAL
	600	200HR SERVICE	
800HR SERVICE	800	800HR SERVICE	REFER TO MANUAL
	1000	200HR SERVICE	
400HR SERVICE	1200	400HR SERVICE	
	1400	200HR SERVICE	
800HR SERVICE	1600	800HR SERVICE	REFER TO MANUAL
	1800	200HR SERVICE	
400HR SERVICE	2000	400HR SERVICE	
	2200	200HR SERVICE	
800HR SERVICE	2400	800HR SERVICE	
	2600	200HR SERVICE	
400HR SERVICE	2800	400HR SERVICE	
	3000	200HR SERVICE	REFER TO MANUAL
800HR SERVICE	3200	800HR SERVICE	
	2 YEARS		

IMPORTANT: PLEASE CONTACT MOBILE ENERGY AUSTRALIA FOR MORE INFORMATION IF YOU HAVE ANY QUESTIONS REGARDING THE SETUP AND OPERATION OF THE SMAC RANGE OF PRODUCTS.

SCHEDULE MAINTENANCE – *continued*

Interval	Compressor	Diesel Engine
Action to be taken		
Periodically During Operation	Observe all gauge readings. Note any change from the normal reading and determine the cause. Have the necessary repairs made? (Note: "Normal" is the usual gauge reading when operating at similar conditions on a day-to-day basis.)	
Every 10 Hours or Daily	Check the compressor oil level.	Check engine oil level
	Check air filter/s and connecting hose and clamps	
	Check for oil and air system, including hoses, for leaks	
Weekly Check		Check water level
Weekly Check		Check Cone locks on Exhaust Manifold are tight*
Every 25 Hours or Monthly	Drain water from Compressor and check oil level	
After first 50 hours of operation (7201-K0017)		Change engine oil filter cartridge
	Check system for oil and/or air leaks	Check all fuel hoses and clamping bands
	Check engine/compressor/generator mounts for excessive wear and fastener torque.	
	Check shaft couplings for movements on shafts	
Every 100 Hours	Check engine/compressor/generator mounts for excessive wear and fastener torque.	
	Check shaft couplings for movements on shafts. Check grub screws and bolts for tightness. If fasteners have loose removed them, apply thread locking compound and retighten to required torque.	
	Check compressor oil level	Change engine oil (see system specifications, diesel engine, lubrication)
	Check system for oil and/or air leaks	
		Clean air cleaner element
	Check fan belt tension	
Every 200 Hours of Operation or 6 months		Check radiator hoses and clamping bands
		Change engine oil filter cartridge
		Change engine oil (see system specifications, diesel engine, lubrication)
		Change engine air intake filter if necessary
Every 400 Hours of operation or 9 months Engine compressor see Service Kit List	Change compressor oil 3L	Change Engine oil
	Change compressor oil filter	Change engine oil filter
	Change compressor air filter	Replace in-line fuel filter element
		Check engine fan belt
		Check drive coupling
		Check fuel filter if necessary
		Check engine mounts
800 Hours / 18 months	Change compressor oil filter	Replace engine air filter and service as per 400 hrs service
	Change compressor coalescing filter	
	Change compressor air filter	
Periodically or as required	Inspect and replace spin-on coalescing element if necessary	Inspect and clean oil cooler fins

7. SPARE PARTS AND SERVICE KITS

(SEE SERVICING SCHEDULE IN PREVIOUS SECTION)

SERVICE KITS FOR CURRENT SPECIFICATION OF SMAC

Code	Description
7201-KB0017	SERVICE KIT SMAC D/G 50HR – ENGINE ONLY
7201-KB0015	SERVICE KIT SMAC D/G 200HR – ENGINE ONLY
7201-KB0013	SERVICE KIT SMAC D/G 400HR – MINOR ENGINE & COMPRESSOR
7201-KB0028	SERVICE KIT SMAC D/G 800HR - MAJOR ENGINE & COMPRESSOR

LEGACY SERVICE KITS SMAC MACHINES BUILT BEFORE 01/01/2016

Code	Description
7201-KB0017	SERVICE KIT SMAC D/G 50HR – ENGINE ONLY
7201-KB0015	SERVICE KIT SMAC D/G 200HR – ENGINE ONLY
7201-KB0011	SERVICE KIT SMAC D/G 400HR STANDARD
7201-KB0022	SERVICE KIT SMAC D/G 800HR STANDARD
7201-KB0013	SERVICE KIT SMAC D/G 400HR - MINOR ENGINE & COMPRESSOR
7201-KB0028	SERVICE KIT SMAC D/G 800HR - MAJOR ENGINE & COMPRESSOR
7201-KB0018	SERVICE KIT SMAC D/G 400HR DONALDSON, PLASTIC FUEL BOWL
7201-KB0029	SERVICE KIT SMAC D/G 800HR DONALDSON, PLASTIC FUEL BOWL
7201-KB0014	SERVICE KIT SMAC D/G 400HR MANN HUMMEL, METAL FUEL BOWL
7201-KB0030	SERVICE KIT SMAC D/G 800HR MANN HUMMEL, METAL FUEL BOWL
7201-KB0019	SERVICE KIT SMAC D/G 400HR MANN HUMMEL, PLASTIC FUEL BOWL
7201-KB0031	SERVICE KIT SMAC D/G 800HR MANN HUMMEL, PLASTIC FUEL BOWL

SPARE PARTS FOR ALL SMAC MACHINES

Code	Description
4000-P0004	Compressor Shaft Seal
4000-P0001	Thermo Bypass Valve
7201-KB0001	Regulator/Blow Down Exchange Assembly Kit
4000-P0009	Regulator Seal Kit
20001-P0001	Temperature Sensor
10012-P0001	Safety Valve
20001-P0002	Over Pressure Switch
7201-P0088	Compressor Drive Coupling
N/A	Temperature Sensor
10001-P0043	Alternator
10001-P0033	Starter Motor
10005-P0001	Air Throttle Spring
10016-P0001	Throttle Cylinder
10016-P0008	Dual Speed Cylinder
10025-P0001	Exhaust Flapper
20010-P0001	Engine Idle Up Controller

IMPORTANT: PLEASE CONTACT MOBILE ENERGY AUSTRALIA FOR MORE INFORMATION IF YOU HAVE ANY QUESTIONS REGARDING THE SETUP AND OPERATION OF THE SMAC RANGE OF PRODUCTS.

8. TROUBLESHOOTING

SMAC DIAGNOSTIC CHART

SMAC 40D		
Symptom	Cause	Remedy
Engine not starting	Fuel pump working	Bleed fuel lines at filter, injectors
	Does system have fuel/ dirty fuel	IS Check valve fitted in fuel lines
	Fuel getting to injectors? 12VDC supplied to unit	Is fuel lift greater than 500mm, fit lift pump as close to fuel supply
	Starter motor not working	Replace Starter motor, check fuel supply
Will not make Pressure	Does MAC valve have power	Check fuses
	Adjust pressure regulator	Check for debris internal of pressure reg
	Does air bypass pressure regulator	Check blowdown shuttle valve/MAC/control lines
System shuts down un expectantly	What pressure does system fail at	Check over pressure switch
	Is it over temp of compressor	Check oil level of compressor
	Does Stop solenoid activate	Check over temp of engine Check oil pressure of engine
	Starving of fuel in filter	Bleed fuel lines/Lift pump/Check valve
	Shut down timer relay failure	Check power circuit
Engine does not shut down when key turned off.	Does Stop solenoid activate	Check 15A fuse in loom
	Loose connection in loom	Check duetsch plug for loose wire
		Check loom connections
High moisture out of air outlet	High humidity area	Fit after cooler for air line
	Check water seperator internals	Check float inside filter bowl
Water in compressor oil	Drain / Syphone water from oil	Run unit for longer periods to get to working temps
Engine not going to high speed	Is spring fitted to throttle cylinder	Replace spring
	Check cylinder for movement	
	Does air bypass pressure regulator	Check blowdown shuttle valve/MAC/control lines
Harness burnt	Earth connection from SMAC to Earth connection point on vehicle	Make good earth connection
	Check voltage supply	Make correct connection
Hour meter not working	Replace meter and record last know reading	
Oil found in air outlet	Has seperator been damaged / due for service	Replace separator / coalescer
	Check sealing copper ring at base of seperator	
unit over heating	check unit veitilation	Reposition unit
		Fit ventilation fans

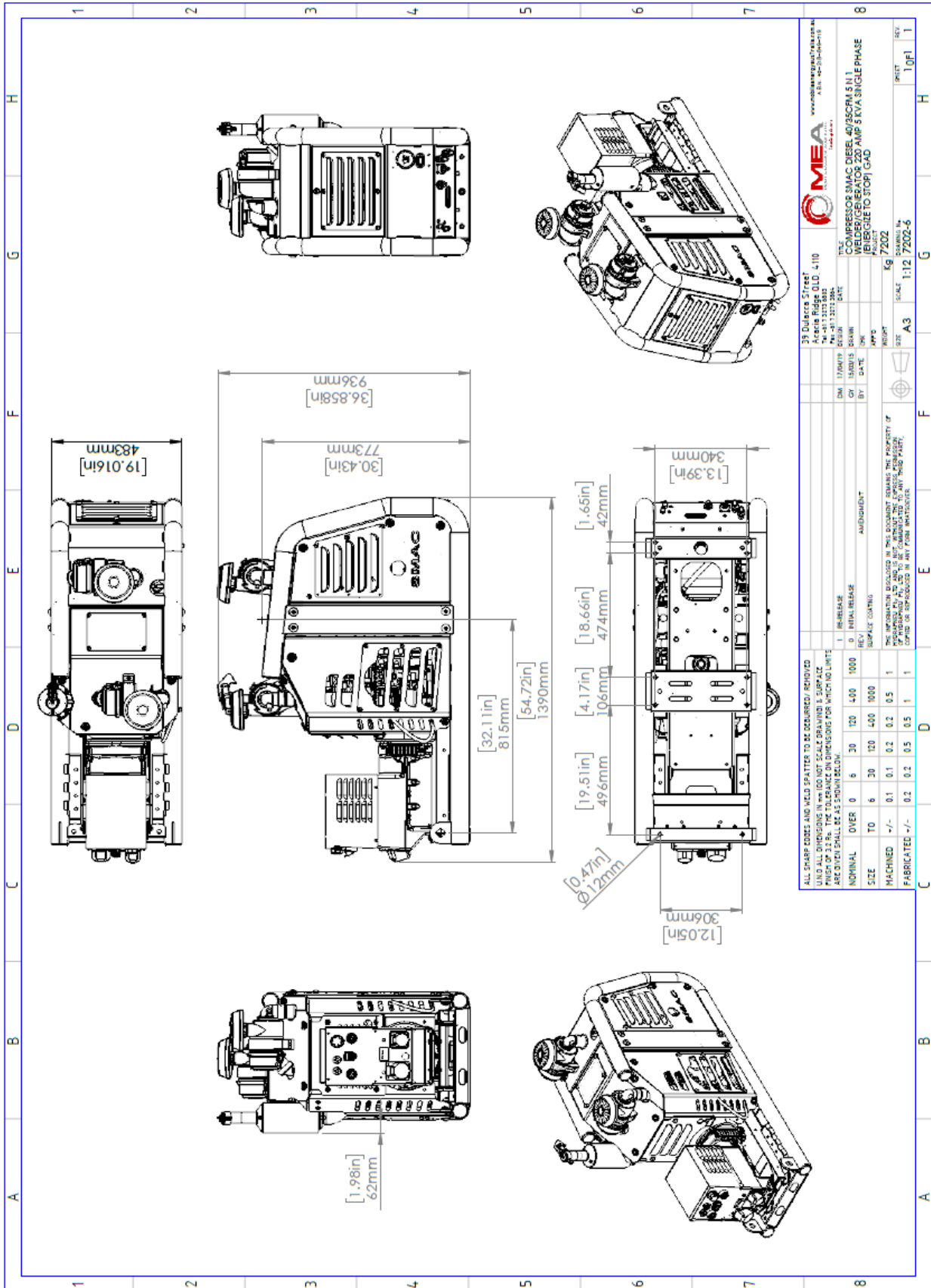
TROUBLESHOOTING - *continued*

SMAC DIAGNOSTIC CHART

SMAC 35 WG		
Symptom	Check these	Try these
Will not produce 240VAC	Check toggle switch is in <i>GEN</i> mode	Call MEA for support
	Check left hand solenoid valve is energised	
	Check AVR, Capacitor, Brush set	
Will not make air pressure	Make sure nothing is plugged into elec outlet	Call MEA for Support
	Check left hand solenoid is off	
	Check current sensing device for faulty reading	

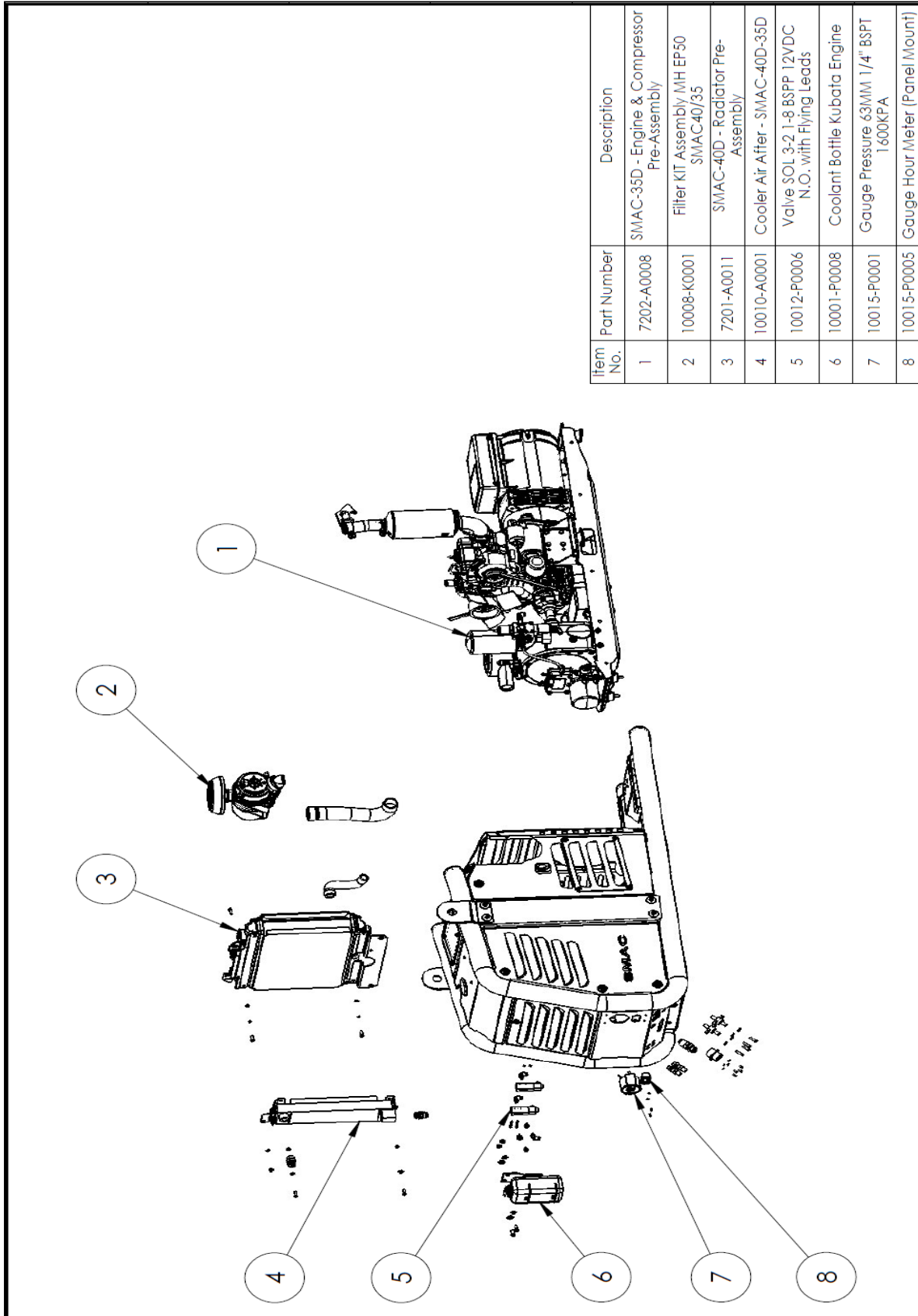
9. DRAWINGS & ILLUSTRATIONS

GENERAL ARRANGEMENT DRAWING – WELDER/GENERATOR



DRAWINGS AND ILLUSTRATIONS

PARTS LIST

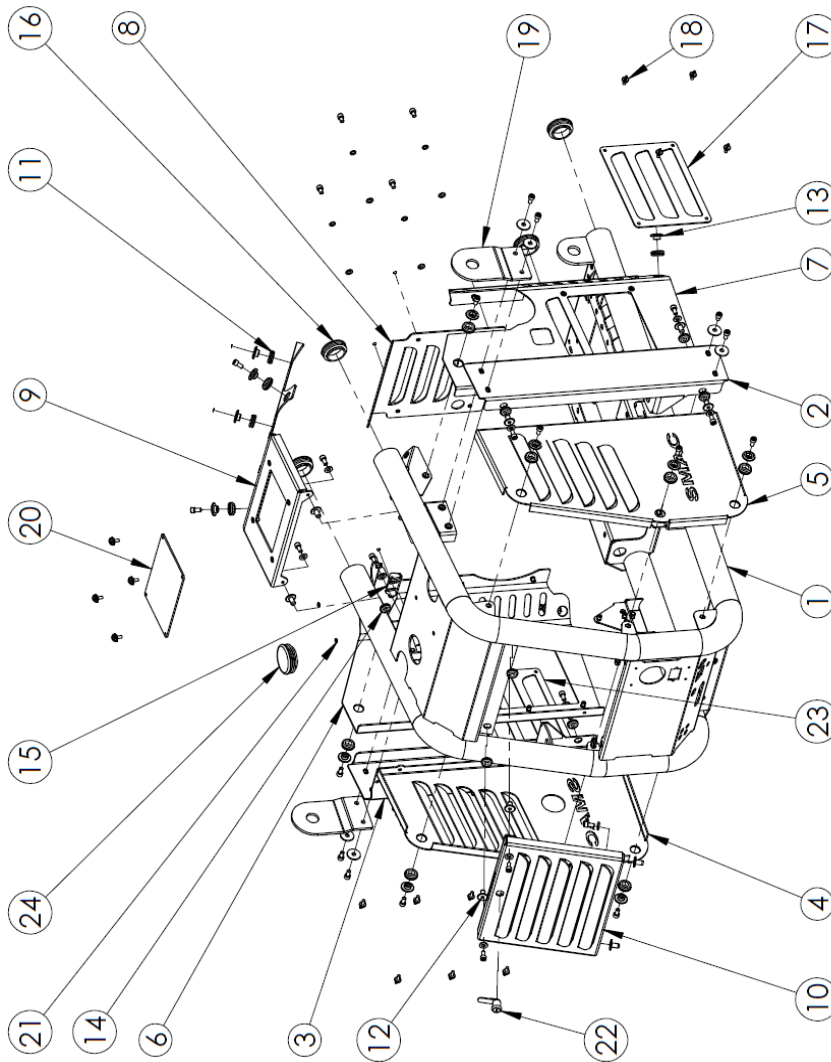


Item No.	Part Number	Description
1	7202-A0008	SMAC-35D - Engine & Compressor Pre-Assembly
2	10008-K0001	Filter KIT Assembly MH EP50 SMAC40/35
3	7201-A0011	SMAC-40D - Radiator Pre-Assembly
4	10010-A0001	Cooler Air After - SMAC-40D-35D
5	10012-P0006	Valve SOL 3-2 1-8 BSPP 12VDC N.O. with Flying Leads
6	10001-P0008	Coolant Bottle Kubata Engine
7	10015-P0001	Gauge Pressure 63MM 1/4" BSPT 1600KPA
8	10015-P0005	Gauge Hour Meter (Panel Mount)

DRAWINGS & ILLUSTRATIONS

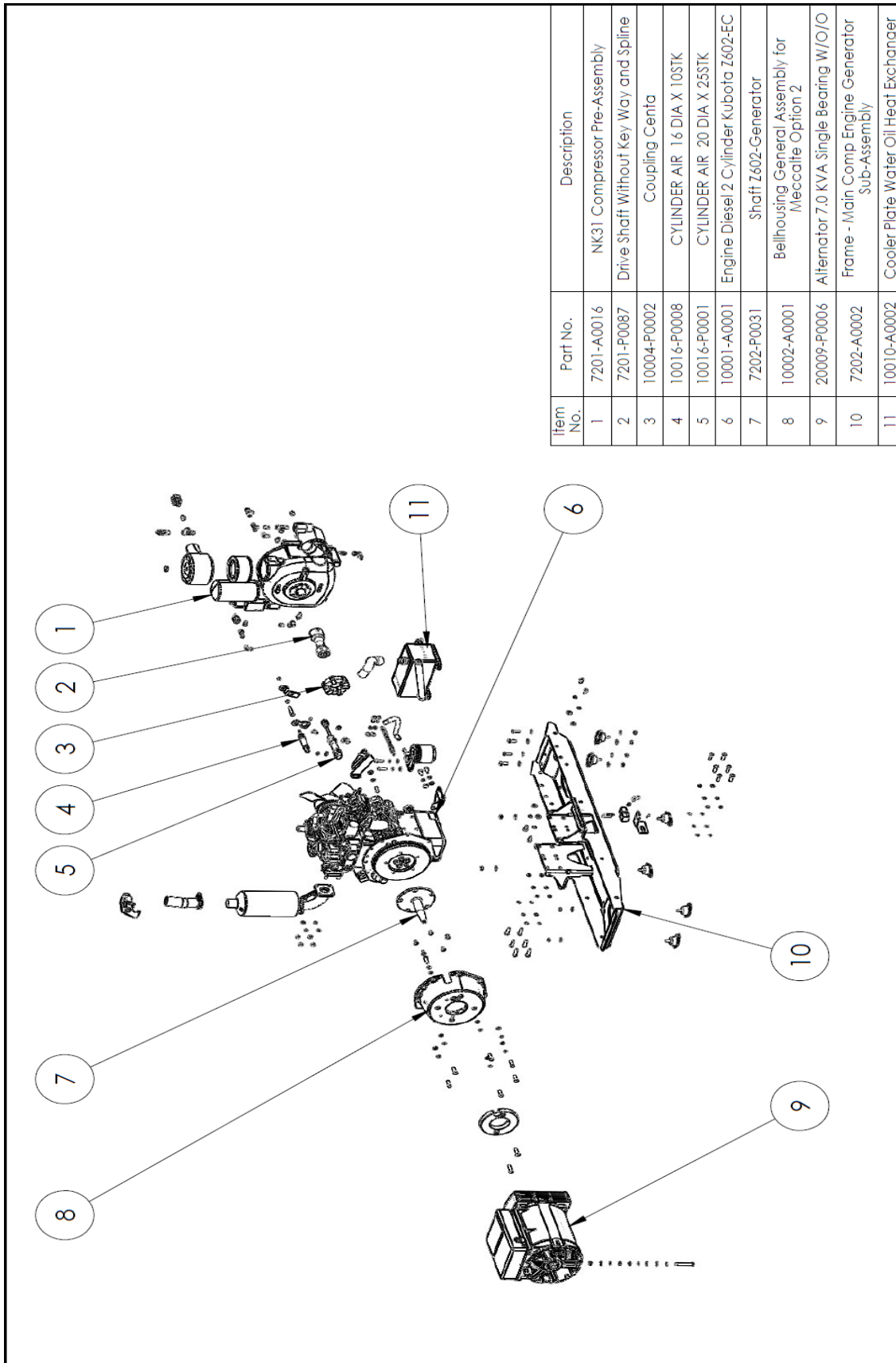
PARTS LIST

ITEM NO.	PART NUMBER	DESCRIPTION	QTY.
1	7202-A0003	SMAC35D-Main Outer Frame Weldment Assembly	1
2	7201-A0005	SMAC40D - Vertical Side Support Sub-Assembly - LHS	1
3	7201-A0006	SMAC40D - Vertical Side Support Sub-Assembly - RHS	1
4	7201-P0022	SMAC40D-Frame-Front Side Panel-RHS	1
5	7201-P0023	SMAC40D-Frame-Front Side Panel-LHS	1
6	7201-P0024	SMAC40D-Frame-Rear Side Panel-RHS	1
7	7201-P0025	Frame - Rear Side Panel - LHS	1
8	7202-P0026	Frame-Rear End Panel	1
9	7201-P0021	SMAC40D-Frame-Rear Filter Mounting Cover Panel	1
10	7201-P0020	SMAC40D-Frame-Front Cover Panel	1
11	7201-P0051	Grommet Rubber - 30X16X10X3	14
12	7201-P0041	Locating Pin - M6 x 12	12
13	7201-P0040	Bush - SMAC Panels	14
14	7201-P0050	Grommet Rubber - 25x16x10x3	12
15	7201-P0032	SMAC40D-Radiator Top Mounting Bracket-RHS	1
16	10006-P0002	Plug - Black PVC to Suit Nominal 60mm Dia.	4
17	7201-P0091	Panel - Oil Filter	1
18	15006-P0012	Fastener - D-Ring Quick Release	14
19	7201-P0039	Lifting Lug	2
20	7201-P0094	SMAC-40D - PANEL - Oil Fill Access	1
21	10025-P0003	Body Clip SMAC Donaldson Hole	2
22	10025-P0038	Latch Front Panel - SMAC-D	1
23	7201-P0090	Panel - Fuel Filter and Dip Sticker	1
24	10006-P0001	Plug - Black PVC to suit nominal 60mm Dia.	1



DRAWINGS & ILLUSTRATIONS

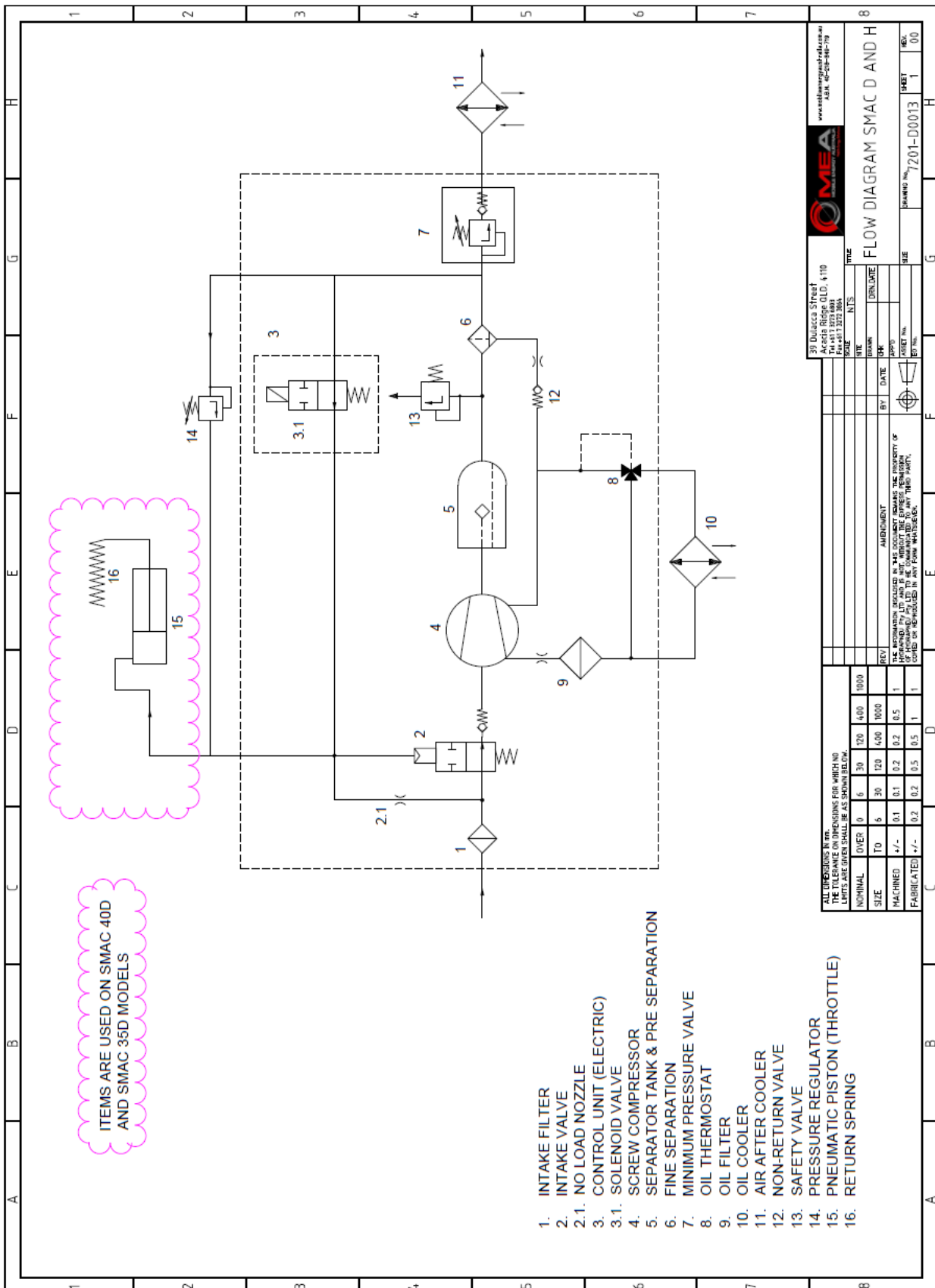
PARTS LIST



Item No.	Part No.	Description
1	7201-A0016	NK31 Compressor Pre-Assembly
2	7201-P0087	Drive Shaft Without Key Way and Spline
3	10004-P0002	Coupling Centa
4	10016-P0008	CYLINDER AIR 16 DIA X 10STK
5	10016-P0001	CYLINDER AIR 20 DIA X 25STK
6	10001-A0001	Engine Diesel 2 Cylinder Kubota Z602-EC
7	7202-P0031	Shaft Z602-Generator
8	10002-A0001	Bellhousing General Assembly for Meccalte Option 2
9	20009-P0006	Alternator 7.0 KVA Single Bearing W/O/O
10	7202-A0002	Frame - Main Comp Engine Generator Sub-Assembly
11	10010-A0002	Cooler Plate Water Oil Heat Exchanger

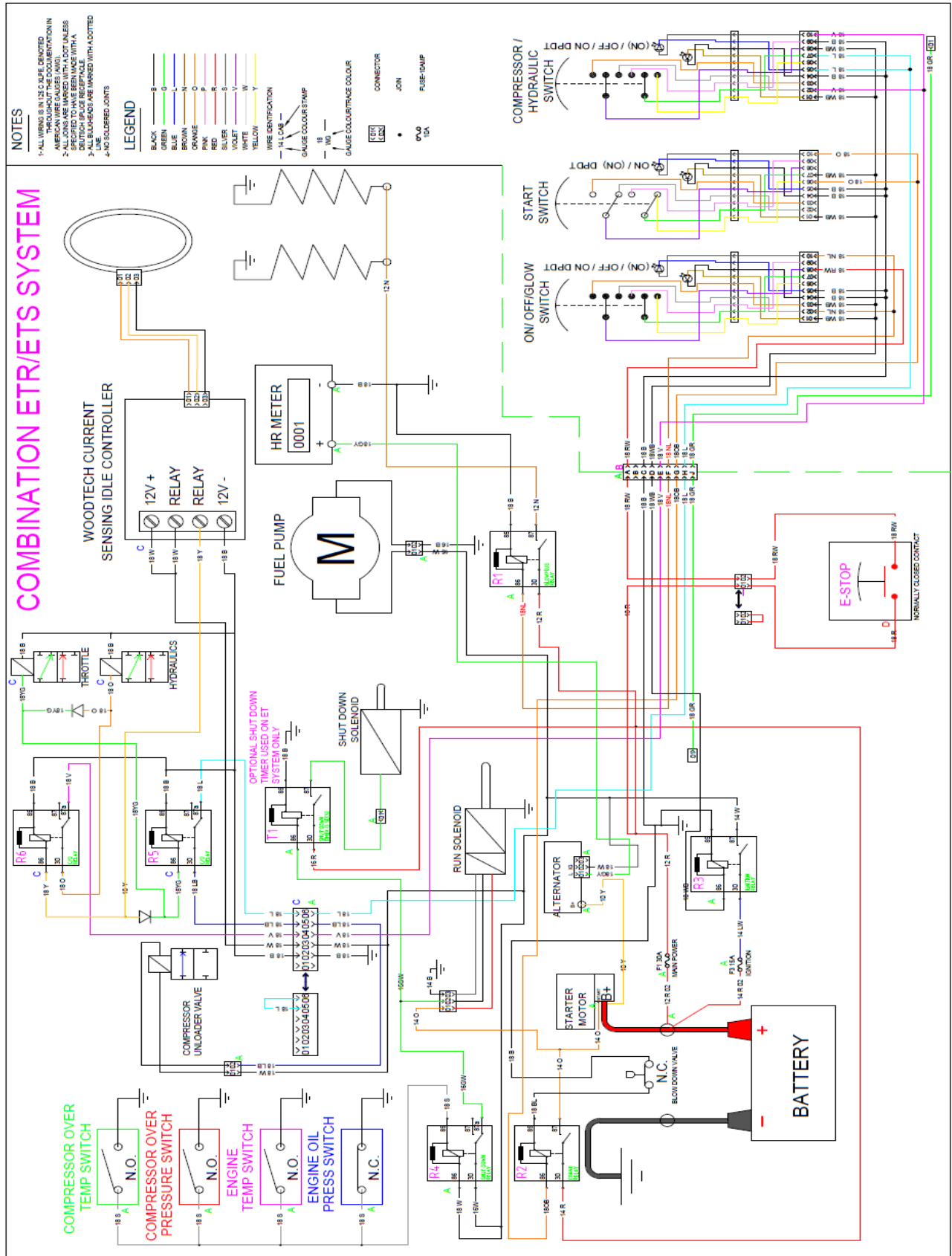
DRAWINGS & ILLUSTRATIONS

HYDRAULIC/PNEUMATIC DIAGRAM

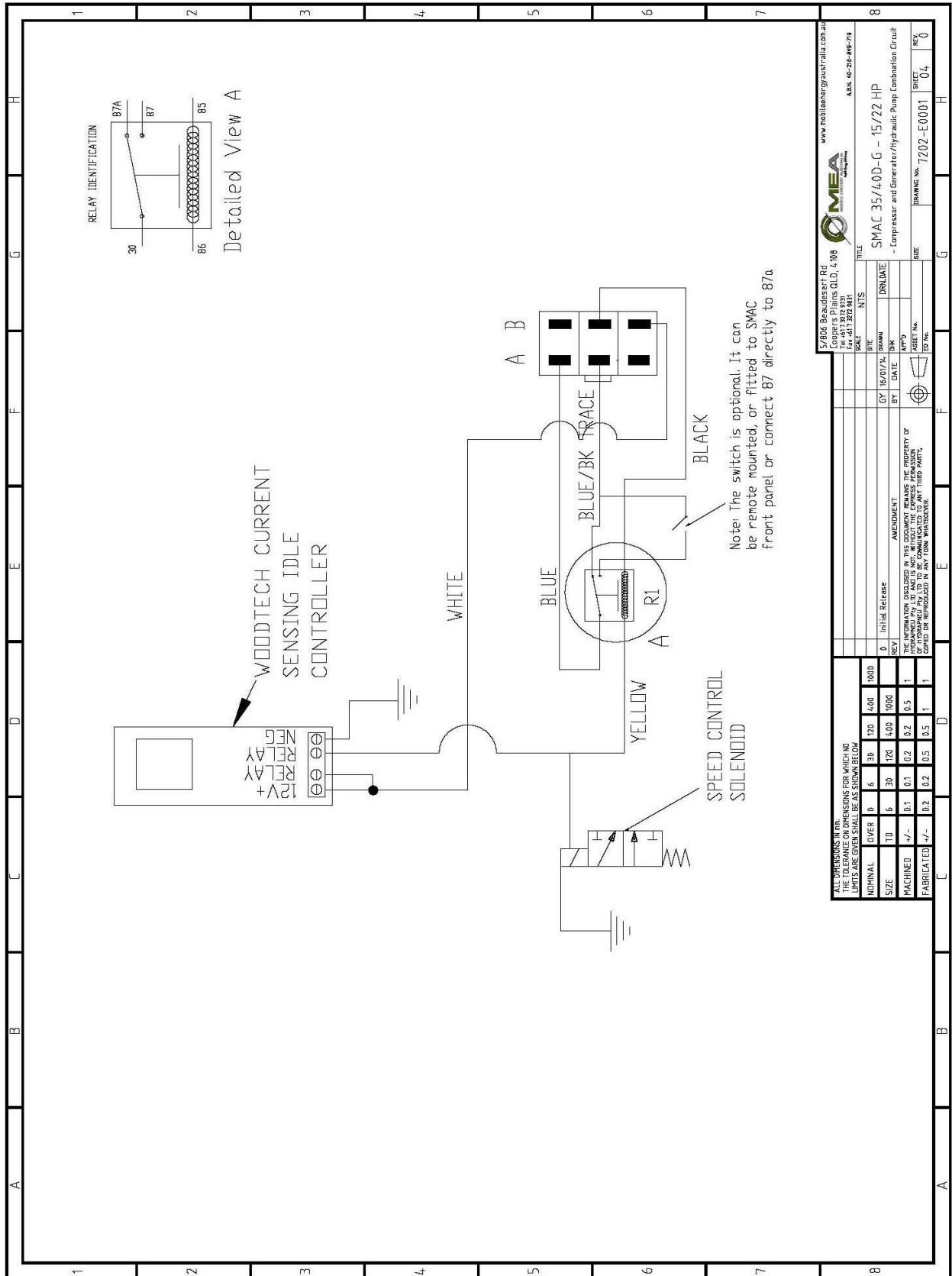


DRAWINGS & ILLUSTRATIONS

SMAC WIRING DIAGRAM



DRAWINGS & ILLUSTRATIONS



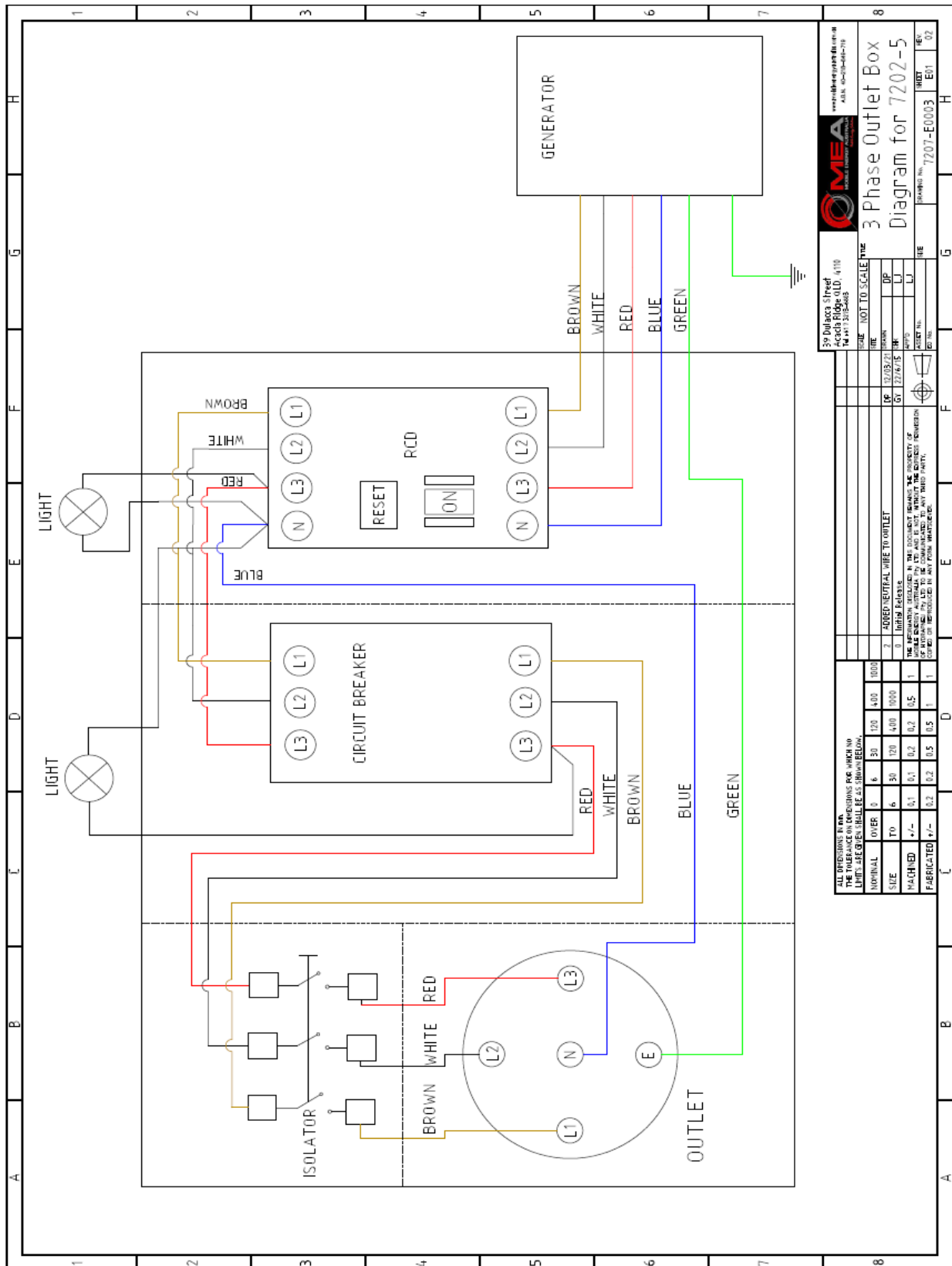
S/BMC Replacesheet R4 Coopers Plains QLD, 4108 Tel: +61 7 3273 6803 Fax: +61 7 3273 6801 www.mobileenergyaustralia.com.au		TITLE SMAC 35/40D-G - 15/22 HP - Compressor and Generator/ Hydraulic Pump Combination Circuit	
DATE	BY	DATE	BY
17/02/2011	GY	16/01/14	BRANN
SCALE	1:1	DRINKATE	
		REV	
		0	Initial Release
		1	AMENDMENT
		2	THE INFORMATION DISCLOSED IN THIS DOCUMENT REMAINS THE PROPERTY OF MEAA. IT IS TO BE USED ONLY FOR THE PURPOSES SPECIFIED IN THE DRAWING. IT IS NOT TO BE REPRODUCED OR TRANSMITTED IN ANY FORM OR BY ANY MEANS, ELECTRONIC OR MECHANICAL, WITHOUT THE WRITTEN PERMISSION OF MEAA.
		3	THIS DOCUMENT IS THE PROPERTY OF MEAA. IT IS TO BE USED ONLY FOR THE PURPOSES SPECIFIED IN THE DRAWING. IT IS NOT TO BE REPRODUCED OR TRANSMITTED IN ANY FORM OR BY ANY MEANS, ELECTRONIC OR MECHANICAL, WITHOUT THE WRITTEN PERMISSION OF MEAA.
		4	THIS DOCUMENT IS THE PROPERTY OF MEAA. IT IS TO BE USED ONLY FOR THE PURPOSES SPECIFIED IN THE DRAWING. IT IS NOT TO BE REPRODUCED OR TRANSMITTED IN ANY FORM OR BY ANY MEANS, ELECTRONIC OR MECHANICAL, WITHOUT THE WRITTEN PERMISSION OF MEAA.
		5	THIS DOCUMENT IS THE PROPERTY OF MEAA. IT IS TO BE USED ONLY FOR THE PURPOSES SPECIFIED IN THE DRAWING. IT IS NOT TO BE REPRODUCED OR TRANSMITTED IN ANY FORM OR BY ANY MEANS, ELECTRONIC OR MECHANICAL, WITHOUT THE WRITTEN PERMISSION OF MEAA.
		6	THIS DOCUMENT IS THE PROPERTY OF MEAA. IT IS TO BE USED ONLY FOR THE PURPOSES SPECIFIED IN THE DRAWING. IT IS NOT TO BE REPRODUCED OR TRANSMITTED IN ANY FORM OR BY ANY MEANS, ELECTRONIC OR MECHANICAL, WITHOUT THE WRITTEN PERMISSION OF MEAA.
		7	THIS DOCUMENT IS THE PROPERTY OF MEAA. IT IS TO BE USED ONLY FOR THE PURPOSES SPECIFIED IN THE DRAWING. IT IS NOT TO BE REPRODUCED OR TRANSMITTED IN ANY FORM OR BY ANY MEANS, ELECTRONIC OR MECHANICAL, WITHOUT THE WRITTEN PERMISSION OF MEAA.
		8	THIS DOCUMENT IS THE PROPERTY OF MEAA. IT IS TO BE USED ONLY FOR THE PURPOSES SPECIFIED IN THE DRAWING. IT IS NOT TO BE REPRODUCED OR TRANSMITTED IN ANY FORM OR BY ANY MEANS, ELECTRONIC OR MECHANICAL, WITHOUT THE WRITTEN PERMISSION OF MEAA.

TOLERANCES UNLESS OTHERWISE SPECIFIED			
THE TOLERANCE ON DIMENSIONS FOR WHICH NO LIMITS ARE GIVEN SHALL BE AS SHOWN BELOW			
NOMINAL SIZE	OVER	UNDER	UNIT
0 - 6	±0.10	±0.10	mm
6 - 30	±0.15	±0.15	mm
30 - 120	±0.20	±0.20	mm
120 - 400	±0.30	±0.30	mm
400 - 1000	±0.50	±0.50	mm
1000 - 4000	±0.75	±0.75	mm
4000 - 10000	±1.00	±1.00	mm
10000 - 40000	±1.50	±1.50	mm
40000 - 100000	±2.00	±2.00	mm
100000 - 400000	±3.00	±3.00	mm
400000 - 1000000	±4.00	±4.00	mm
1000000 - 4000000	±5.00	±5.00	mm
4000000 - 10000000	±6.00	±6.00	mm
10000000 - 40000000	±7.00	±7.00	mm
40000000 - 100000000	±8.00	±8.00	mm
100000000 - 400000000	±9.00	±9.00	mm
400000000 - 1000000000	±10.00	±10.00	mm
1000000000 - 4000000000	±12.00	±12.00	mm
4000000000 - 10000000000	±15.00	±15.00	mm
10000000000 - 40000000000	±20.00	±20.00	mm
40000000000 - 100000000000	±25.00	±25.00	mm
100000000000 - 400000000000	±30.00	±30.00	mm
400000000000 - 1000000000000	±40.00	±40.00	mm
1000000000000 - 4000000000000	±50.00	±50.00	mm
4000000000000 - 10000000000000	±60.00	±60.00	mm
10000000000000 - 40000000000000	±70.00	±70.00	mm
40000000000000 - 100000000000000	±80.00	±80.00	mm
100000000000000 - 400000000000000	±90.00	±90.00	mm
400000000000000 - 1000000000000000	±100.00	±100.00	mm
1000000000000000 - 4000000000000000	±120.00	±120.00	mm
4000000000000000 - 10000000000000000	±150.00	±150.00	mm
10000000000000000 - 40000000000000000	±200.00	±200.00	mm
40000000000000000 - 100000000000000000	±250.00	±250.00	mm
100000000000000000 - 400000000000000000	±300.00	±300.00	mm
400000000000000000 - 1000000000000000000	±400.00	±400.00	mm
1000000000000000000 - 4000000000000000000	±500.00	±500.00	mm
4000000000000000000 - 10000000000000000000	±600.00	±600.00	mm
10000000000000000000 - 40000000000000000000	±800.00	±800.00	mm
40000000000000000000 - 100000000000000000000	±1000.00	±1000.00	mm
100000000000000000000 - 400000000000000000000	±1200.00	±1200.00	mm
400000000000000000000 - 1000000000000000000000	±1500.00	±1500.00	mm
1000000000000000000000 - 4000000000000000000000	±2000.00	±2000.00	mm
4000000000000000000000 - 10000000000000000000000	±2500.00	±2500.00	mm
10000000000000000000000 - 40000000000000000000000	±3000.00	±3000.00	mm
40000000000000000000000 - 100000000000000000000000	±4000.00	±4000.00	mm
100000000000000000000000 - 400000000000000000000000	±5000.00	±5000.00	mm
400000000000000000000000 - 1000000000000000000000000	±6000.00	±6000.00	mm
1000000000000000000000000 - 4000000000000000000000000	±8000.00	±8000.00	mm
4000000000000000000000000 - 10000000000000000000000000	±10000.00	±10000.00	mm

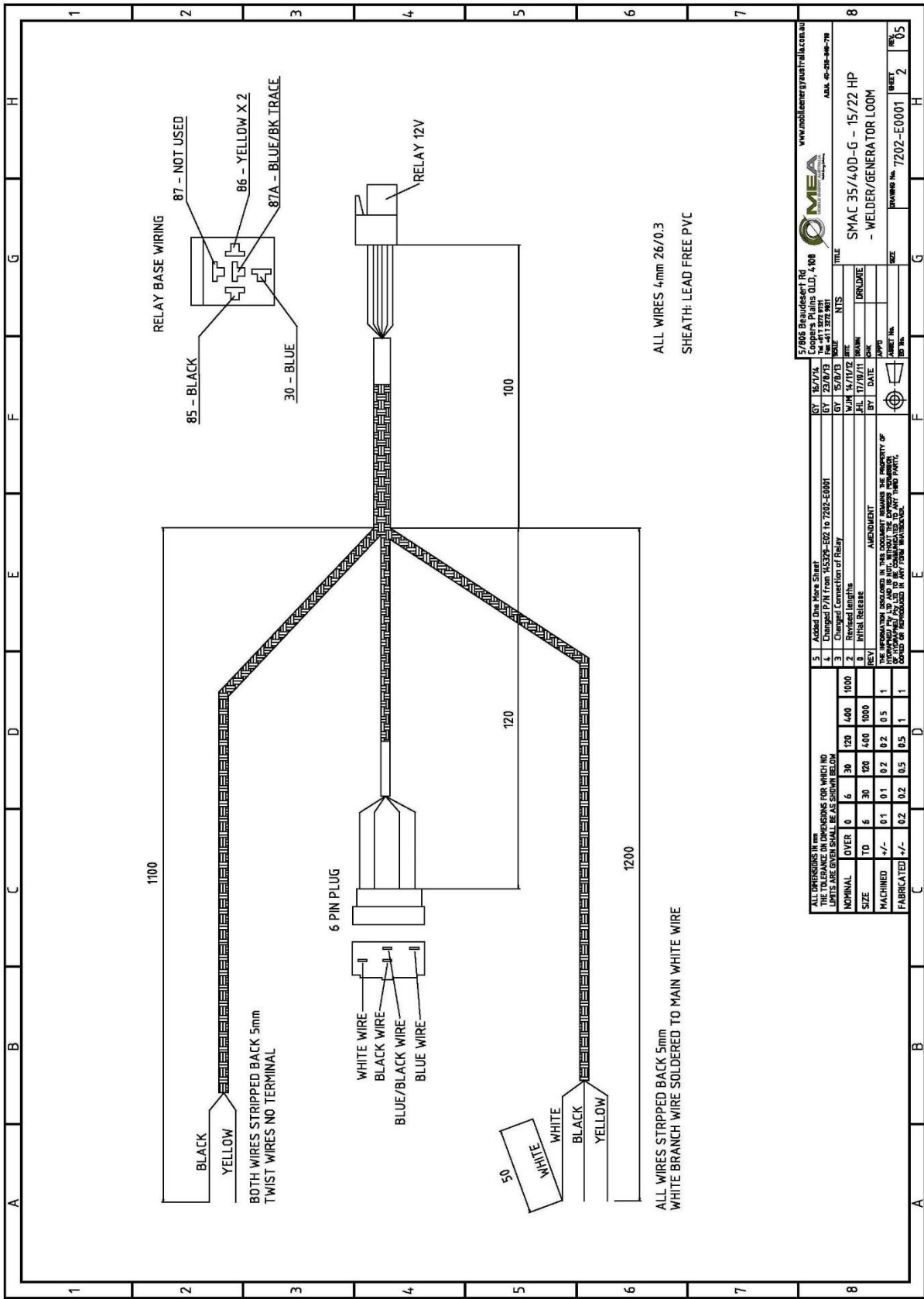
DATE	BY	DATE	BY
17/02/2011	GY	16/01/14	BRANN
SCALE	1:1	DRINKATE	
		REV	
		0	Initial Release
		1	AMENDMENT
		2	THE INFORMATION DISCLOSED IN THIS DOCUMENT REMAINS THE PROPERTY OF MEAA. IT IS TO BE USED ONLY FOR THE PURPOSES SPECIFIED IN THE DRAWING. IT IS NOT TO BE REPRODUCED OR TRANSMITTED IN ANY FORM OR BY ANY MEANS, ELECTRONIC OR MECHANICAL, WITHOUT THE WRITTEN PERMISSION OF MEAA.
		3	THIS DOCUMENT IS THE PROPERTY OF MEAA. IT IS TO BE USED ONLY FOR THE PURPOSES SPECIFIED IN THE DRAWING. IT IS NOT TO BE REPRODUCED OR TRANSMITTED IN ANY FORM OR BY ANY MEANS, ELECTRONIC OR MECHANICAL, WITHOUT THE WRITTEN PERMISSION OF MEAA.
		4	THIS DOCUMENT IS THE PROPERTY OF MEAA. IT IS TO BE USED ONLY FOR THE PURPOSES SPECIFIED IN THE DRAWING. IT IS NOT TO BE REPRODUCED OR TRANSMITTED IN ANY FORM OR BY ANY MEANS, ELECTRONIC OR MECHANICAL, WITHOUT THE WRITTEN PERMISSION OF MEAA.
		5	THIS DOCUMENT IS THE PROPERTY OF MEAA. IT IS TO BE USED ONLY FOR THE PURPOSES SPECIFIED IN THE DRAWING. IT IS NOT TO BE REPRODUCED OR TRANSMITTED IN ANY FORM OR BY ANY MEANS, ELECTRONIC OR MECHANICAL, WITHOUT THE WRITTEN PERMISSION OF MEAA.
		6	THIS DOCUMENT IS THE PROPERTY OF MEAA. IT IS TO BE USED ONLY FOR THE PURPOSES SPECIFIED IN THE DRAWING. IT IS NOT TO BE REPRODUCED OR TRANSMITTED IN ANY FORM OR BY ANY MEANS, ELECTRONIC OR MECHANICAL, WITHOUT THE WRITTEN PERMISSION OF MEAA.
		7	THIS DOCUMENT IS THE PROPERTY OF MEAA. IT IS TO BE USED ONLY FOR THE PURPOSES SPECIFIED IN THE DRAWING. IT IS NOT TO BE REPRODUCED OR TRANSMITTED IN ANY FORM OR BY ANY MEANS, ELECTRONIC OR MECHANICAL, WITHOUT THE WRITTEN PERMISSION OF MEAA.
		8	THIS DOCUMENT IS THE PROPERTY OF MEAA. IT IS TO BE USED ONLY FOR THE PURPOSES SPECIFIED IN THE DRAWING. IT IS NOT TO BE REPRODUCED OR TRANSMITTED IN ANY FORM OR BY ANY MEANS, ELECTRONIC OR MECHANICAL, WITHOUT THE WRITTEN PERMISSION OF MEAA.

DRAWINGS & ILLUSTRATIONS

3 Phase Outlet Box Diagram



DRAWINGS & ILLUSTRATIONS

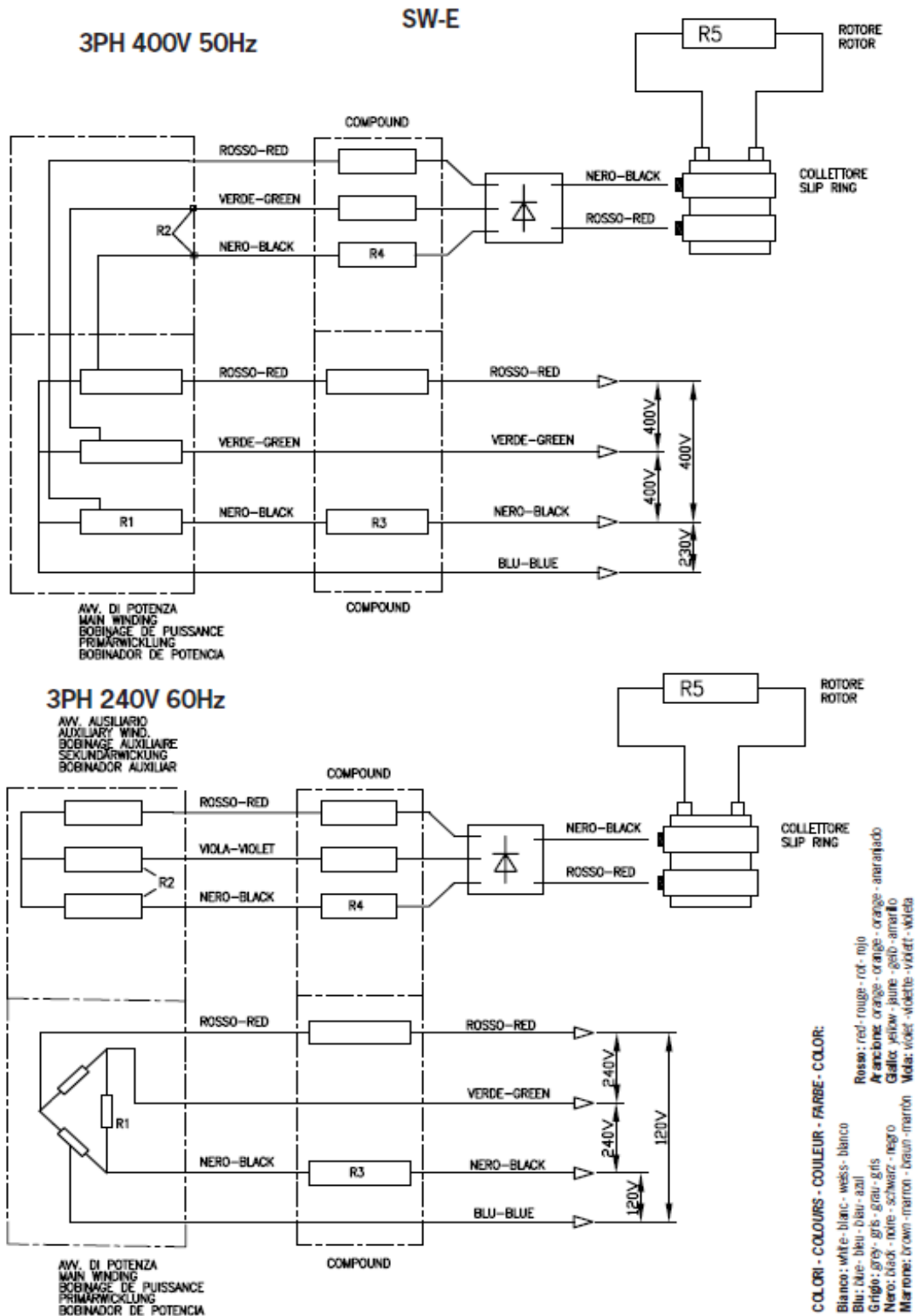


5/7006 Braudessert Rd Coopers Plains QLD, 4108 Tel: +61 7 3273 6801		www.mobileenergyaustralia.com.au	
REV	DATE	BY	CHKD
01	16/11/14	NTS	
02	23/06/15	DR/DWE	
03	15/06/15	DR/DWE	
04	17/07/17	DR/DWE	
05	14/11/17	DR/DWE	
SMAC 35/40D-G - 15/22 HP - WELDER/GENERATOR LOOM			
Drawing No: 7202-E0001		Sheet: 2 of 05	

DRAWINGS & ILLUSTRATIONS

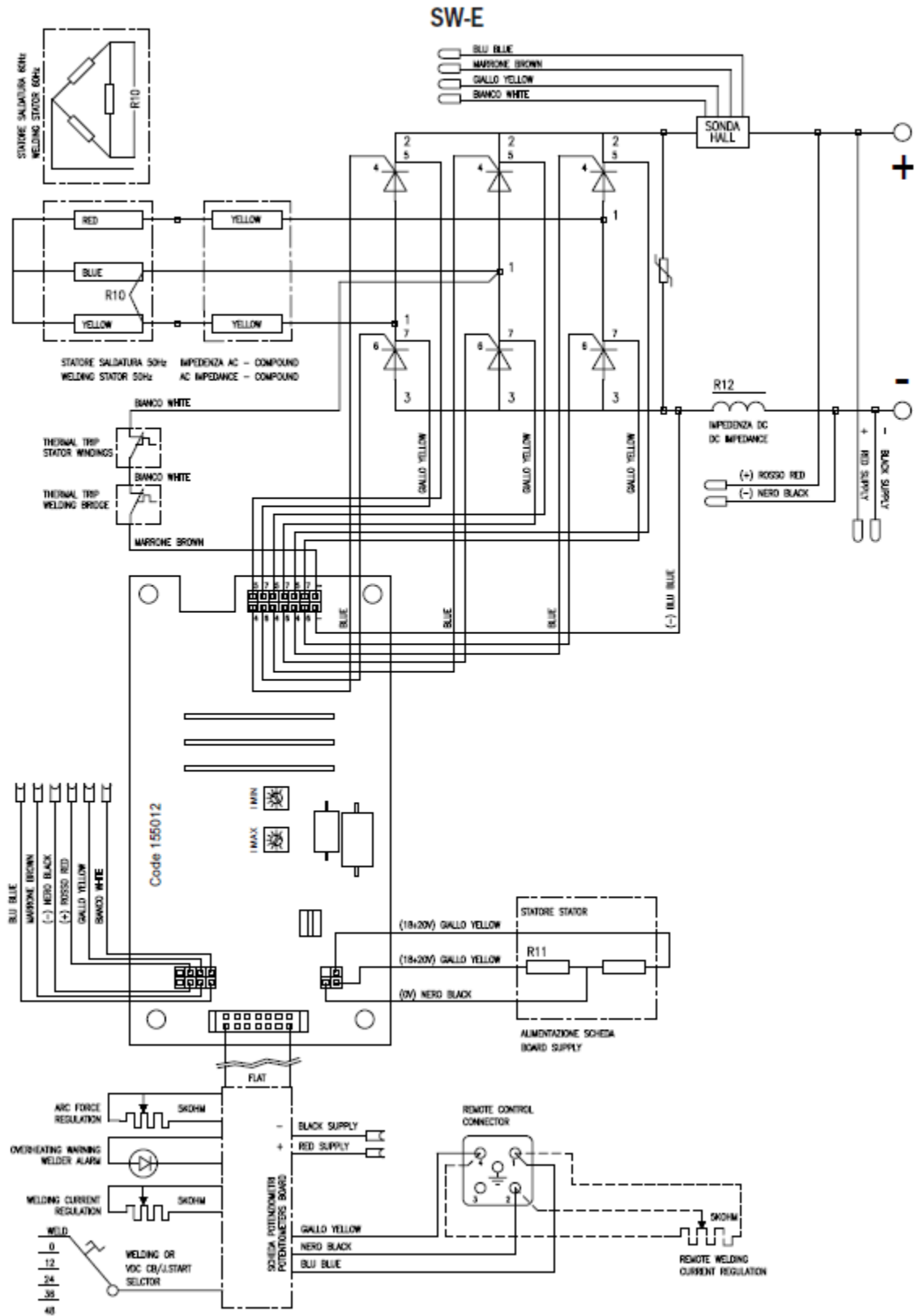
Generator Circuit

SCHEMA ELETTRICO GENERATORE - GENERATOR WIRING DIAGRAMS - SCHEMA ELECTRIQUE GÉNÉRATEUR - SCHALTPLÄNE-GENERATOR - ESQUEMAS ELÉCTRICOS DE GENERADOR



DRAWINGS AND ILLUSTRATIONS

SCHEMA ELETTRICO SALDATRICE - WELDER WIRING DIAGRAMS - SCHEMA ELECTRIQUE SOUDEUR - SCHALTPLÄNE-SCHWEISSMASCHINE - ESQUEMAS ELÉCTRICOS DE GENERADOR



10. WARRANTY

1 GENERAL PROVISIONS AND LIMITATIONS

- 1.1 Mobile Energy Australia (hereafter "MEA") warrants to each original retail purchaser (hereafter "Buyer") that such product(s) are, at the time of delivery to the buyer, free of manufacture ring defects in material and workmanship.

2 NO WARRANTY IS MADE WITH RESPECT TO

- 2.1 Any product(s) which in the judgment of MEA has been subject to negligence, accident, improper storage, improper installation, improper application, improper operation, or maintenance or has been repaired or altered by others without the written authority of MEA.
- 2.2 Components or accessories manufactured, warranted, and serviced by others.
- 2.3 Damages caused by the lack of normal maintenance, service, and repairs such as the replacement and service of filters and seals.
- 2.4 Damages caused by the lack of normal minimum action, such as adjustments and inspections, replacement of items, such as service filters, seals, and service kits.
- 2.5 Consequential damages caused by product(s) failure.
- 2.6 Any product(s) if other than MEA's genuine components are used in the product(s).
- 2.7 Normal wear and tear of product(s).

3 WARRANTY PERIOD

- 3.1 The warranty period will commence upon installation of the product(s). The returned registration form marks the date of installation. If the registration form is not received, the warranty period will be deemed to commence 30 days from date of shipment from MEA.
- 3.2 The Product(s) is warranted against manufacturer defects in materials and workmanship for a period of 12 months.
- 3.3 The compressor air end is warranted to be free from defects in material and workmanship for a period of two (2) years from the date of installation.
- 3.4 Components supplied under warranty shall be warranted for the remainder of the original warranty period.
- 3.5 MEA factory rebuilt components shall be warranted for a period of 6 months from date of shipment.

4 MEA OBLIGATIONS

- 4.1 The obligation of MEA is limited to repairing or replacing parts, during normal business hours, at an authorized service facility, any component, that in the judgment of MEA are defective.
- 4.2 The obligation of MEA is limited to replacement of faulty parts. No liability is accepted for any freight costs, consequential damages, injuries, or expenses directly or indirectly related to the Product(s) failure.

WARRANTY (continued)

5 BUYER OBLIGATIONS

- 5.1 Buyer shall notify MEA of the alleged defect within 10 days of initial discovery and return the allegedly defective component(s) within 30 days of initial discovery.
- 5.2 The Buyer must prepay all costs associated with the warranty.
- 5.3 The Buyer must return components claimed under this warranty to a facility designated by MEA for evaluation, to establish a claim under this warranty.
- 5.4 Buyer shall maintain and service MEA Product(s) in accordance with the MEA Product(s) Owner's

6 WARRANTY REGISTRATION VALIDATION

- 6.1 A registration form is provided to the Buyer with the product(s). The form must be fully completed by the Buyer and returned to MEA upon completion of the installation of the product(s) to validate the warranty. No warranty claims will be processed unless MEA has received a fully completed warranty registration form.

7 DISCLAIMER AND WARRANTY SERVICE

- 7.1 Any labour costs claimed more than MEA's set rate and/or times are not provided by this warranty. If applicable, any labour costs more than MEA rate schedules caused by, but not limited to, location or inaccessibility of the equipment, travel time or labour provided by unauthorized service personnel are not provided by this warranty.
- 7.2 This warranty is in lieu of all other warranties or obligations expressed or implied. MEA expressly disclaims all implied warranties of merchantability or fitness for a particular purpose.
- 7.3 Warranty claims must be pre-authorized by MEA, and the components returned via prepaid freight using the designated "Returned Merchandise Authorization" number and form.

PLEASE NOTE:

Both the MEA Product Registration Form and the Kubota Engine Warranty Registration Form MUST be returned to MEA in the stamped, self-addressed envelope.

WARNING!!!

Failure to return PRODUCT WARRANTY REGISTRATION FORMS detailed above may result in the delayed processing of warranty claims.

11. MOBILE ENERGY AUSTRALIA - CONTACTS

Sales

Office: 07 3273 6803

Email: sales@mobileenergyaustralia.com.au

Spare Parts

BH Office: 07 3273 6803

Email: sales@mobileenergyaustralia.com.au

Service

BH Office: 07 3273 6803

Email: workshop@mobileenergyaustralia.com.au