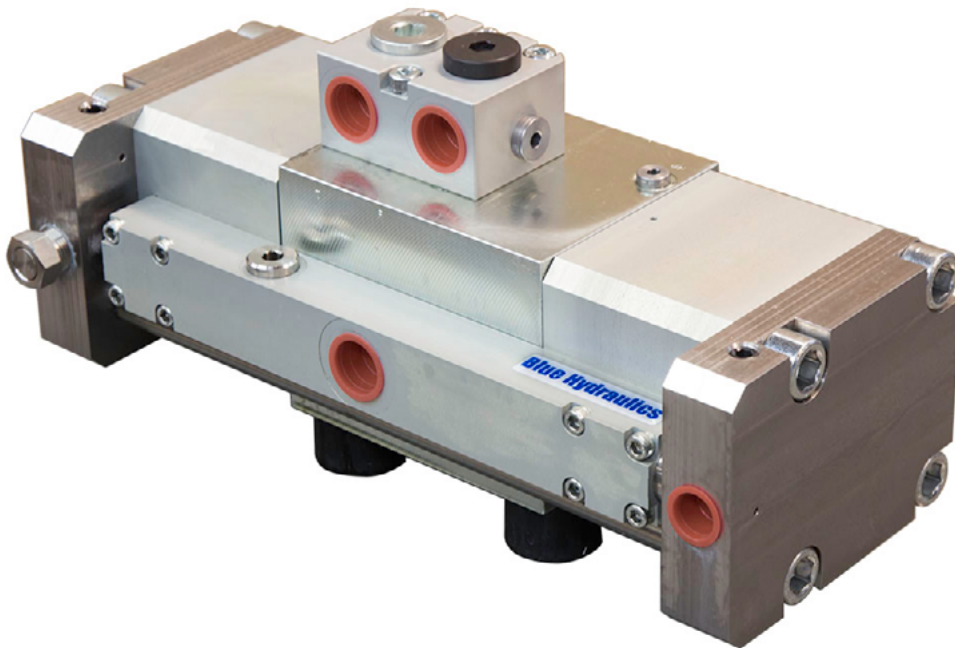
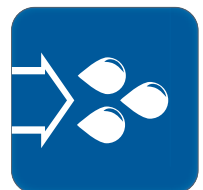




POWERED BY HYDRAULICS



SPARE PARTS HIGH PRESSURE WATER PUMPS



HPW 1000 /30-140

HPW1000_30-140_Spare_Parts_MEA-PL1.0

Mobile Energy Australia
P: +61 3273 6803

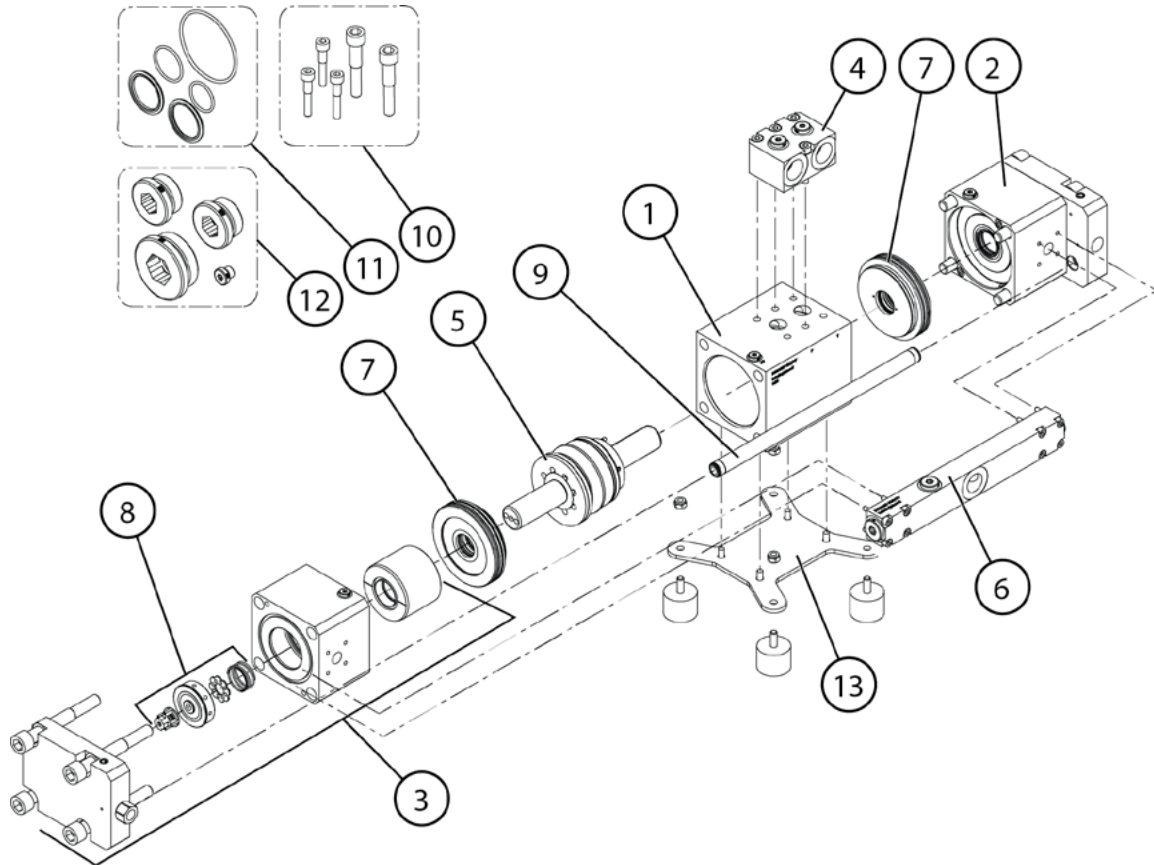
39 Dulacca Street, Acacia Ridge QLD 4110 Australia
E: sales@mobileenergyaustralia.com.au

ABN 40 218 849 719
www.mobileenergyaustralia.com.au

SPARE PARTS

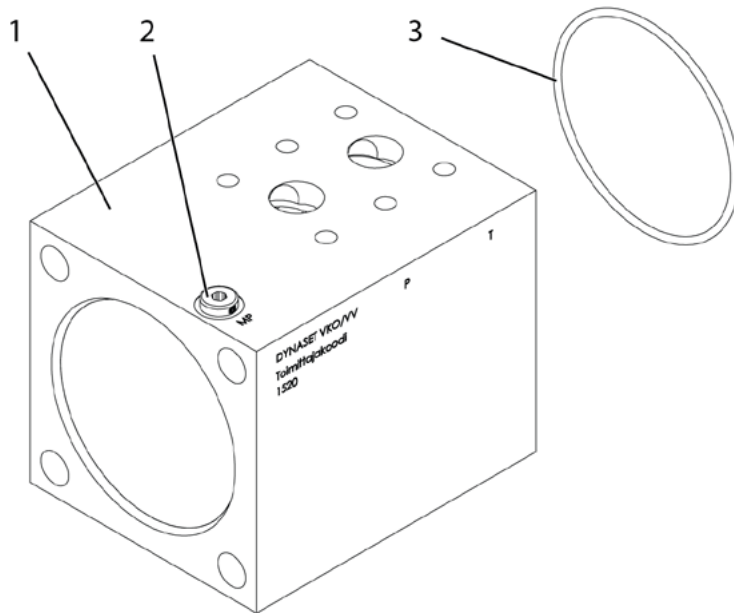
MAIN COMPONENTS	3
1. CENTER BODY	4
2. HEAD RIGHT	5
3. HEAD LEFT	6
4. PT BLOCK	8
5. PISTON	10
6. SUCTION MANIFOLD	12
7. SEAL FLANGE	13
8. WATER VALVE KIT	14
9. PRESSURE PIPE	15
10. SCREW KIT	16
11. SEAL KIT	18
12. PLUG KIT	20
13. MOUNTING PLATE KIT	21

MAIN COMPONENTS



POS	PART NUMBER	QTY	DESCRIPTION	DETAILS	DETAILS 2
1		1	CENTER BODY		See separate part list
2		1	HEAD RIGHT		See separate part list
3		1	HEAD LEFT		See separate part list
4		1	PT BLOCK		See separate part list
5		1	PISTON ASSEMBLY		See separate part list
6		1	SUCTION MANIFOLD		See separate part list
7		2	SEAL FLANGE		See separate part list
8		2	WATER VALVE KIT		See separate part list
9		1	PRESSURE PIPE		See separate part list
10			SCREW KIT		See separate part list
11			SEAL KIT		See separate part list
12			PLUG KIT		See separate part list
13		1	MOUNTING PLATE KIT	Includes rubber cushions	See separate part list

1. CENTER BODY



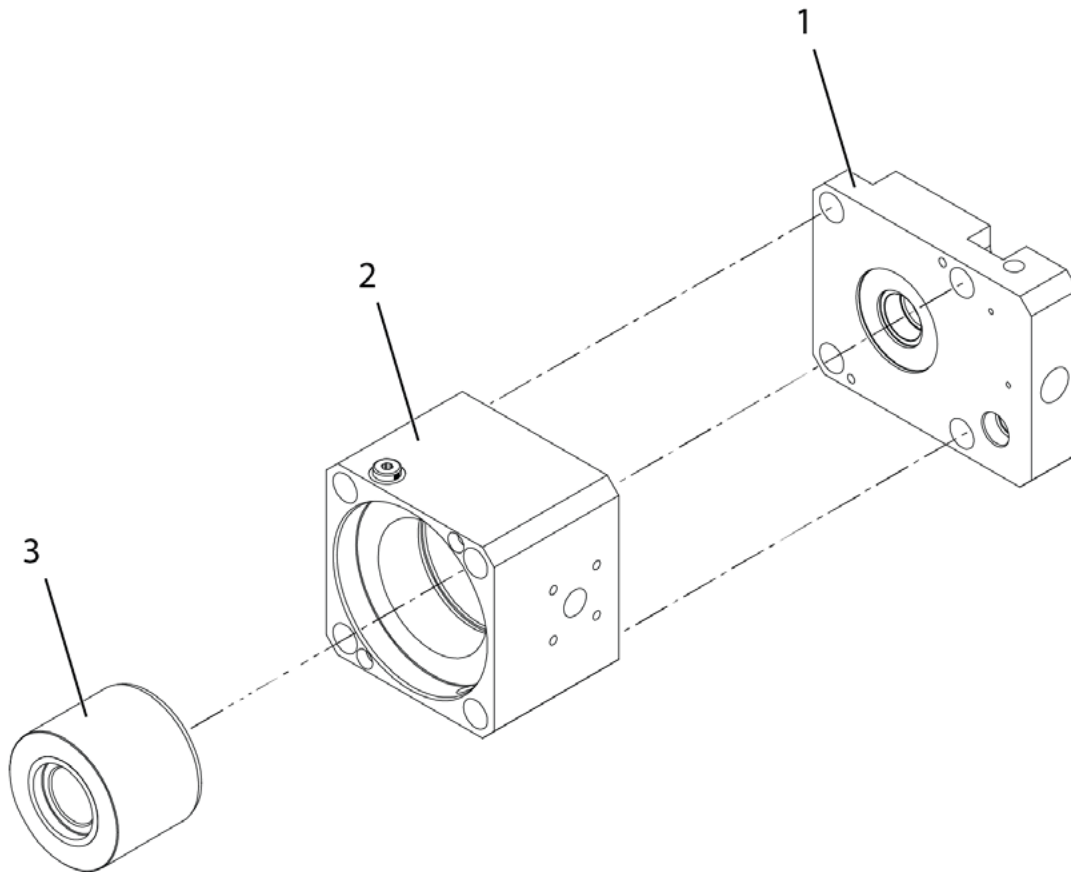
POS	PART NUMBER	QTY	DESCRIPTION	DETAILS	DETAILS 2
1	V100 101 510	1	CENTER BODY	D90	Includes pos. 2-3
2	*	1	HEXAGON SOCKET CAP PLUG	R1/8	
3	*	1	O-RING	87 x 3	

POS	PART NUMBER	QTY	DESCRIPTION	DETAILS	DETAILS 2
1	V100 101 530	1	CENTER BODY AIS	D90 - Stainless Steel	Includes pos. 2-3
2	*	1	HEXAGON SOCKET CAP PLUG	R1/8	Stainless steel
3	*	1	O-RING	87 x 3	

* Not sold separately. Available only in kit or assembly described above or presented in separate part list.
Read Details 2

O-rings are also available in Seal kit, see page 18.
Plugs are also available in Plug kit, see page 20.

2. HEAD RIGHT



POS	PART NUMBER	QTY	DESCRIPTION	DETAILS	DETAILS 2
1	V100 102 585	1	HEAD	D56 - Right	

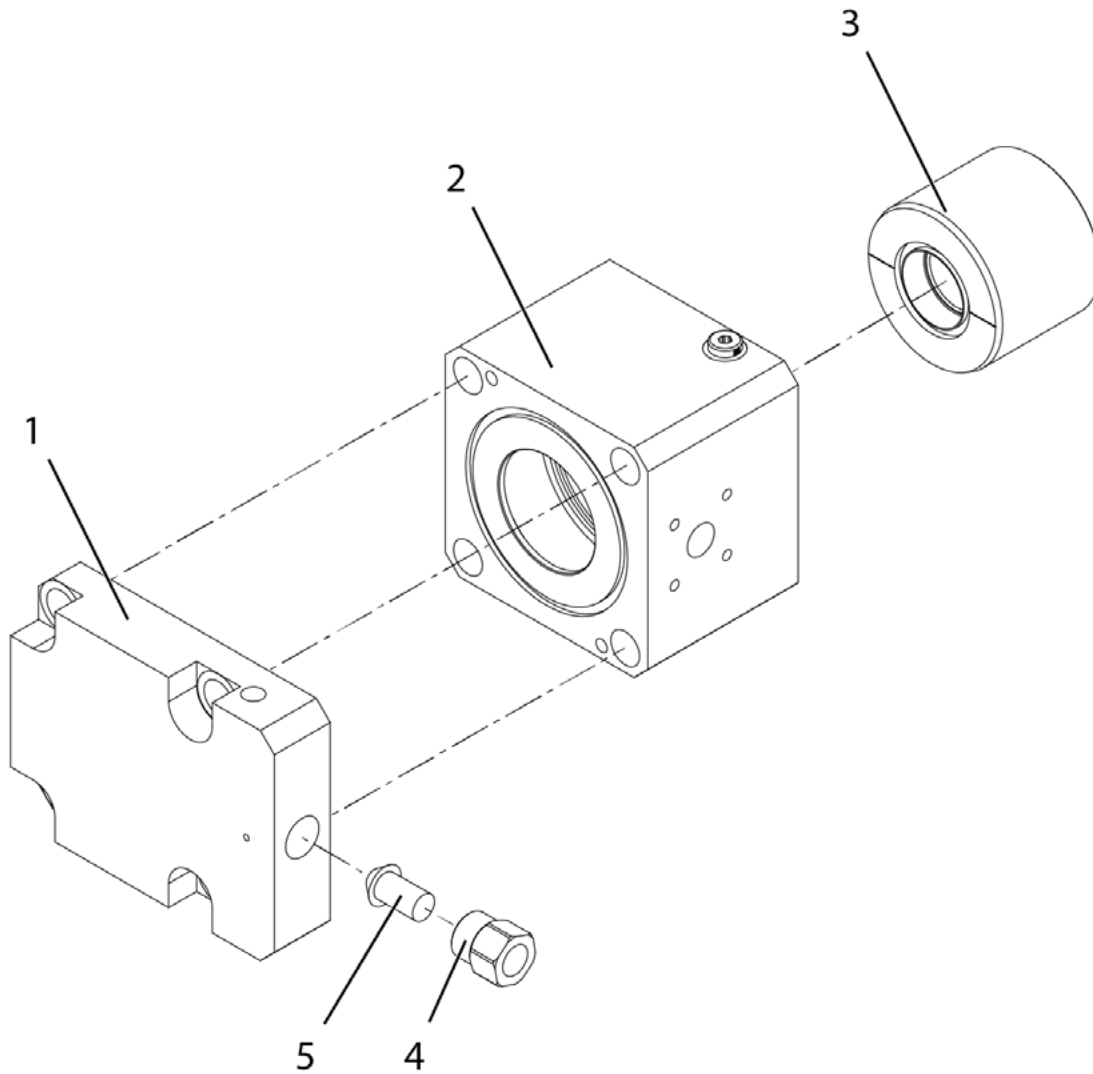
POS	PART NUMBER	QTY	DESCRIPTION	DETAILS	DETAILS 2
2	V100 102 582	1	CYLINDER HOUSING		Includes Hexagon socket cap plug
2	V100 102 583	1	CYLINDER HOUSING - AIS		Includes Hexagon socket cap plug
2	V100 102 581	1	CYLINDER HOUSING - SUB		Includes Hexagon socket cap plug

POS	PART NUMBER	QTY	DESCRIPTION	DETAILS	DETAILS 2
3	V100 102 588	1	WATER CYLINDER		

* Not sold separately. Available only in kit or assembly described above or presented in separate part list.
Read Details 2

Plugs are also available in Plug kit, see page 20.

3. HEAD LEFT



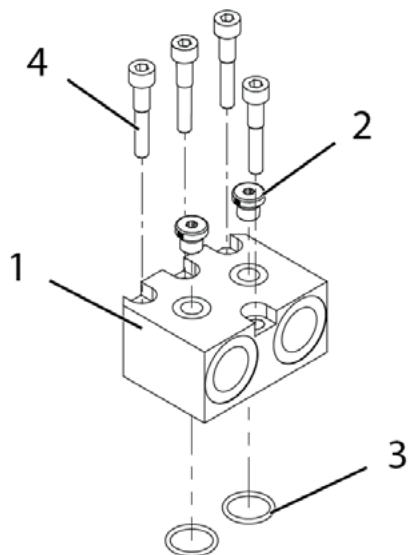
SPARE PARTS

POS	PART NUMBER	QTY	DESCRIPTION	DETAILS	DETAILS 2
1	V100 102 584	1	HEAD	D56 - Left	
POS	PART NUMBER	QTY	DESCRIPTION	DETAILS	DETAILS 2
2	V100 102 582	1	CYLINDER HOUSING		Includes Hexagon socket cap plug
2	V100 102 583	1	CYLINDER HOUSING - AIS		Includes Hexagon socket cap plug
2	V100 102 581	1	CYLINDER HOUSING - SUB		Includes Hexagon socket cap plug
POS	PART NUMBER	QTY	DESCRIPTION	DETAILS	DETAILS 2
3	V100 102 588	1	WATER CYLINDER		
POS	PART NUMBER	QTY	DESCRIPTION	DETAILS	DETAILS 2
	V100 102 586		PLUG		Includes pos. 4-5
4	*	1	GLAND NUT		Stainless steel
5	*	1	PLUG		Stainless steel

* Not sold separately. Available only in kit or assembly described above or presented in separate part list.
Read Details 2

Plugs are also available in Plug kit, see page 20.

4. PT BLOCK

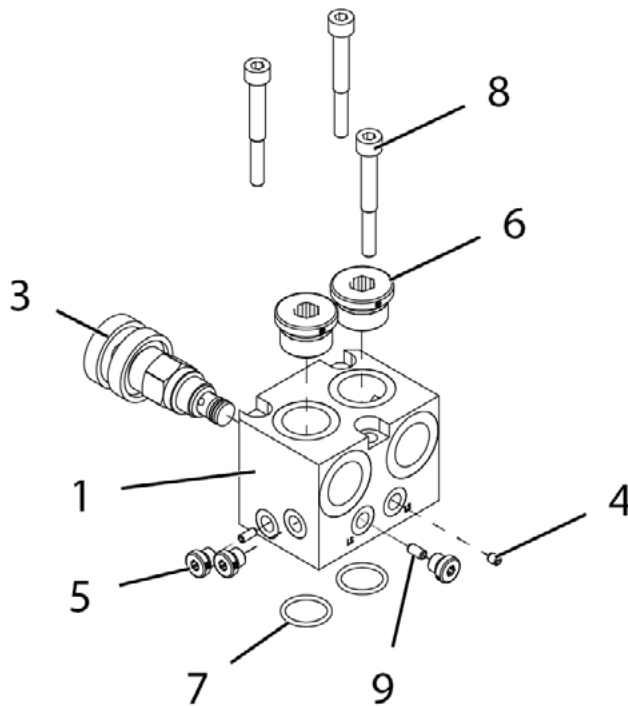


POS	PART NUMBER	QTY	DESCRIPTION	DETAILS	DETAILS 2
	V100 100 710		PT BLOCK - ST		Includes pos. 1-4
1	*	1	PT BLOCK	R3/4 - St	Steel
2	*	2	HEXAGON SOCKET CAP PLUG	R1/4	
3	*	2	O-RING	21,3 x 2,4	
4	*	4	HEXAGON SOCKET CAP SCREW	M8x45	

POS	PART NUMBER	QTY	DESCRIPTION	DETAILS	DETAILS 2
	V100 100 720		PT BLOCK - AIS		Includes pos. 1-4
1	*	1	PT BLOCK	R3/4 - AIS	Stainless Steel
2	*	2	HEXAGON SOCKET CAP PLUG	R1/4	Stainless Steel
3	*	2	O-RING	21,3 x 2,4	
4	*	4	HEXAGON SOCKET CAP SCREW	M8x45	Stainless Steel

* Not sold separately. Available only in kit or assembly described above or presented in separate part list.
Read Details 2

O-rings are also available in Seal kit, see page 18.
Screws are also available in Screw kit, see page 16.

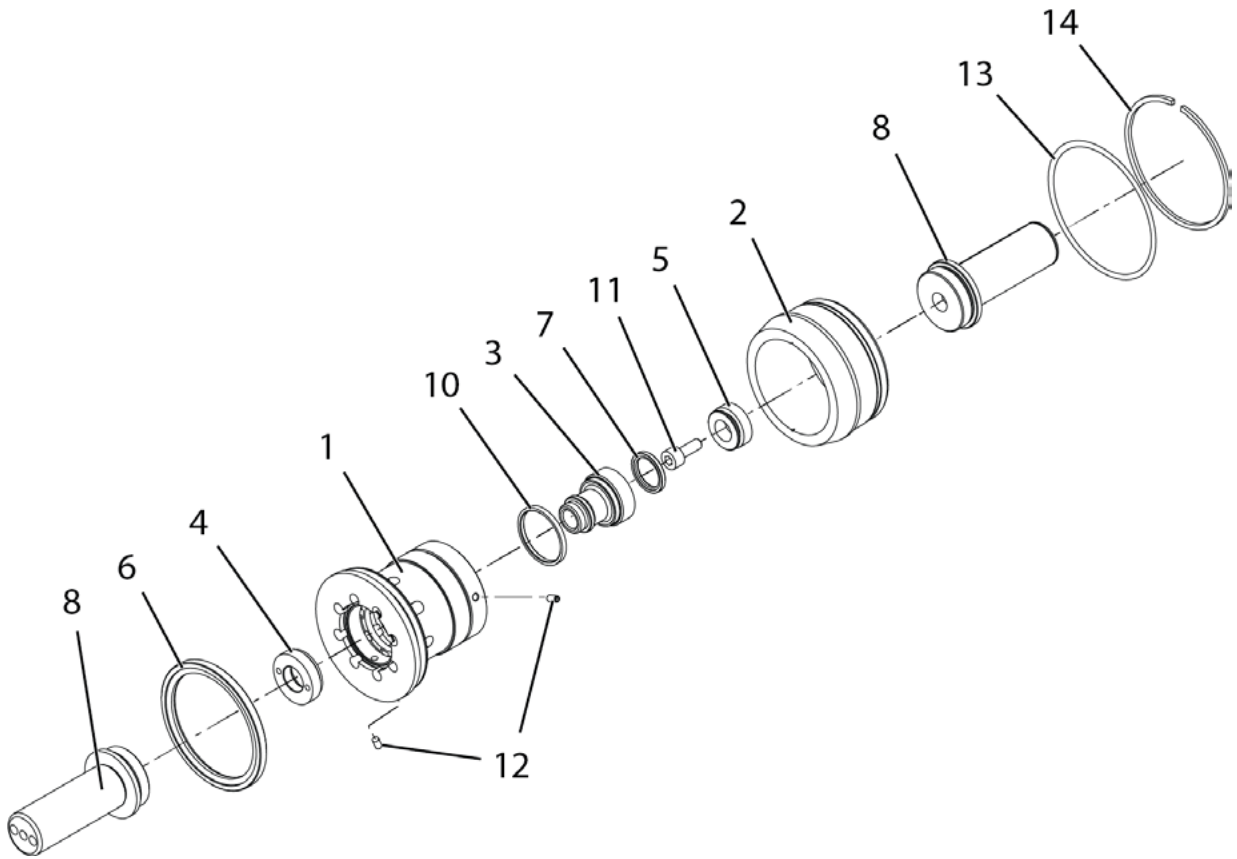


POS	PART NUMBER	QTY	DESCRIPTION	DETAILS	DETAILS 2
	V100 100 730		PT BLOCK - LS		Includes pos. 1-9
1	*	1	PT BLOCK	R3/4 - AI - LS	
3	*	1	PRESSURE RELIEF VALVE CARTRIDGE	35-350 bar	
4	*	1	ORIFICE	M6	
5	*	3	HEXAGON SOCKET CAP PLUG	R1/8	
6	*	2	HEXAGON SOCKET CAP PLUG	R3/4	
7	*	2	O-RING	21,3 x 2,4	
8	*	3	HEXAGON SOCKET CAP SCREW	M8x65	
9	*	2	SET SCREW	M4	

* Not sold separately. Available only in kit or assembly described above or presented in separate part list.
Read Details 2

O-rings are also available in Seal kit, see page 18.
Screws are also available in Screw kit, see page 16.

5. PISTON

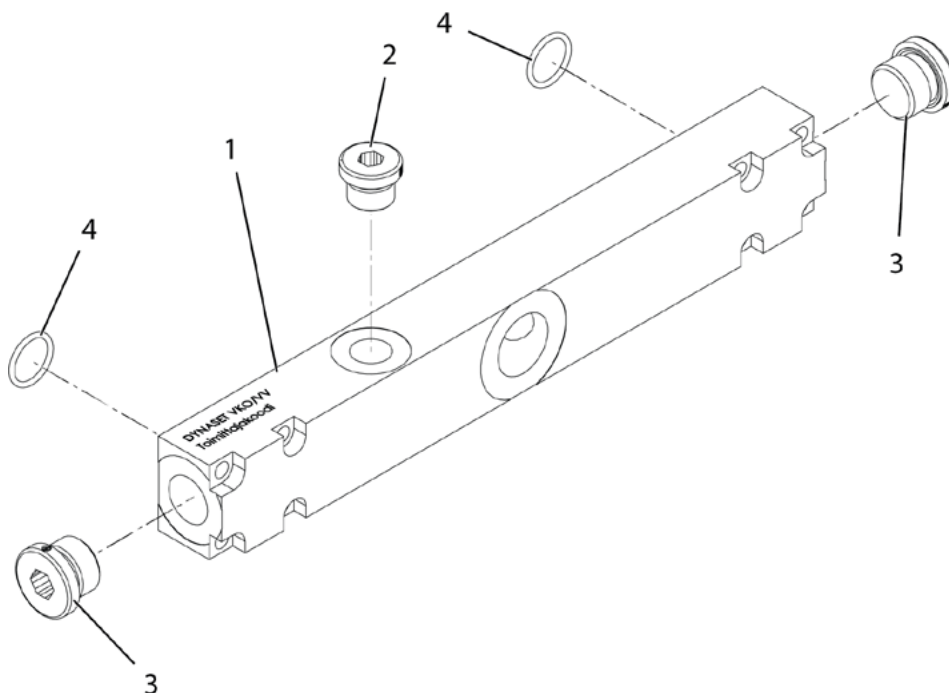


POS	PART NUMBER	QTY	DESCRIPTION	DETAILS	DETAILS 2
	V100 102 580		PISTON KIT	Piston kit includes 2 Secondary pistons	Includes pos. 1-14
1	*	1	HYDRAULIC PISTON	D90 / d67,1	
2	*	1	CYLINDER LINER	D67,1	
3	*	1	VALVE SPOOL	D36 - 41,5	
4	*	1	VALVE SEAT	D35,5	
5	*	1	REVERSAL VALVE GUIDE	D28,5 - L12	
6	*	1	PISTON SEAL ASSEMBLY	M90	
7	*	1	PISTON SEAL ASSEMBLY	M28,5	
8	V100 102 575	1	SECONDARY PISTON	30-93,5	
10	*	1	ROD SEAL	36/41	
11	*	1	HEXAGON SOCKET CAP SCREW	M8 x 20	
12	*	2	SET SCREW	M5 x 10	
13	*	1	O-RING	87 x 3	
14	*	1	LOCK RING	85 x 2,5	
	V100 102 570		HYDRAULIC PISTON KIT	Secondary pistons excluded	Includes pos. 1-4, 6, 10, 13-14
	V100 102 529		REVERSAL VALVE GUIDE KIT		Includes pos. 5, 7, 11
	V100 101 130		PISTON SEAL KIT		Includes pos. 6-7, 10

* Not sold separately. Available only in kit or assembly described above or presented in separate part list.
Read Details 2

Seals and O-rings are also available in Seal kit, see page 18.

6. SUCTION MANIFOLD



POS	PART NUMBER	QTY	DESCRIPTION	DETAILS	DETAILS 2
	V100 102 592		SUCTION MANIFOLD KIT		Includes pos. 1-4
1	*	1	SUCTION MANIFOLD		
2	*	1	HEXAGON SOCKET CAP PLUG	R3/8	Stainless steel
3	*	2	HEXAGON SOCKET CAP PLUG	R1/2	Stainless steel
4	*	2	O-RING	17 x 2	

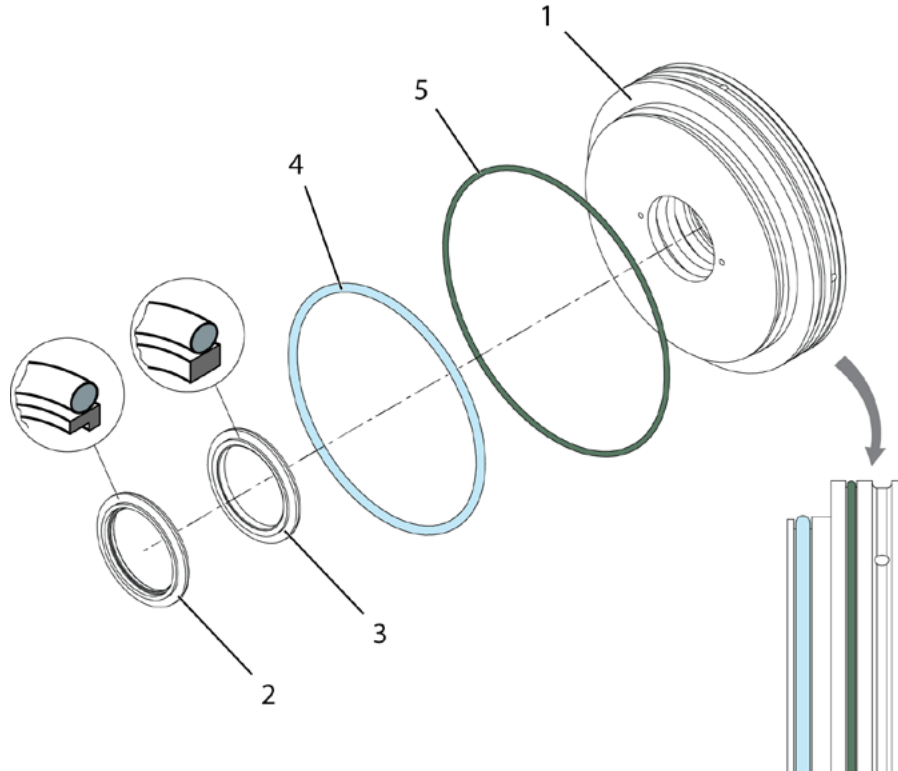
POS	PART NUMBER	QTY	DESCRIPTION	DETAILS	DETAILS 2
	V100 102 594		SUCTION MANIFOLD KIT - AIS		Includes pos. 1-4
1	*	1	SUCTION MANIFOLD	AIS	
2	*	1	HEXAGON SOCKET CAP PLUG	R3/8	Stainless steel
3	*	2	HEXAGON SOCKET CAP PLUG	R1/2	Stainless steel
4	*	2	O-RING	17 x 2	

POS	PART NUMBER	QTY	DESCRIPTION	DETAILS	DETAILS 2
	V100 102 596		SUCTION MANIFOLD KIT - SUB		Includes pos. 1-4
1	*	1	SUCTION MANIFOLD	SUB	
2	*	1	HEXAGON SOCKET CAP PLUG	R3/8	Stainless steel
3	*	2	HEXAGON SOCKET CAP PLUG	R1/2	Stainless steel
4	*	2	O-RING	17 x 2	

* Not sold separately. Available only in kit or assembly described above or presented in separate part list.
Read Details 2

O-rings are also available in Seal kit, see page 18.
Plugs are also available in Plug kit, see page 20.

7. SEAL FLANGE



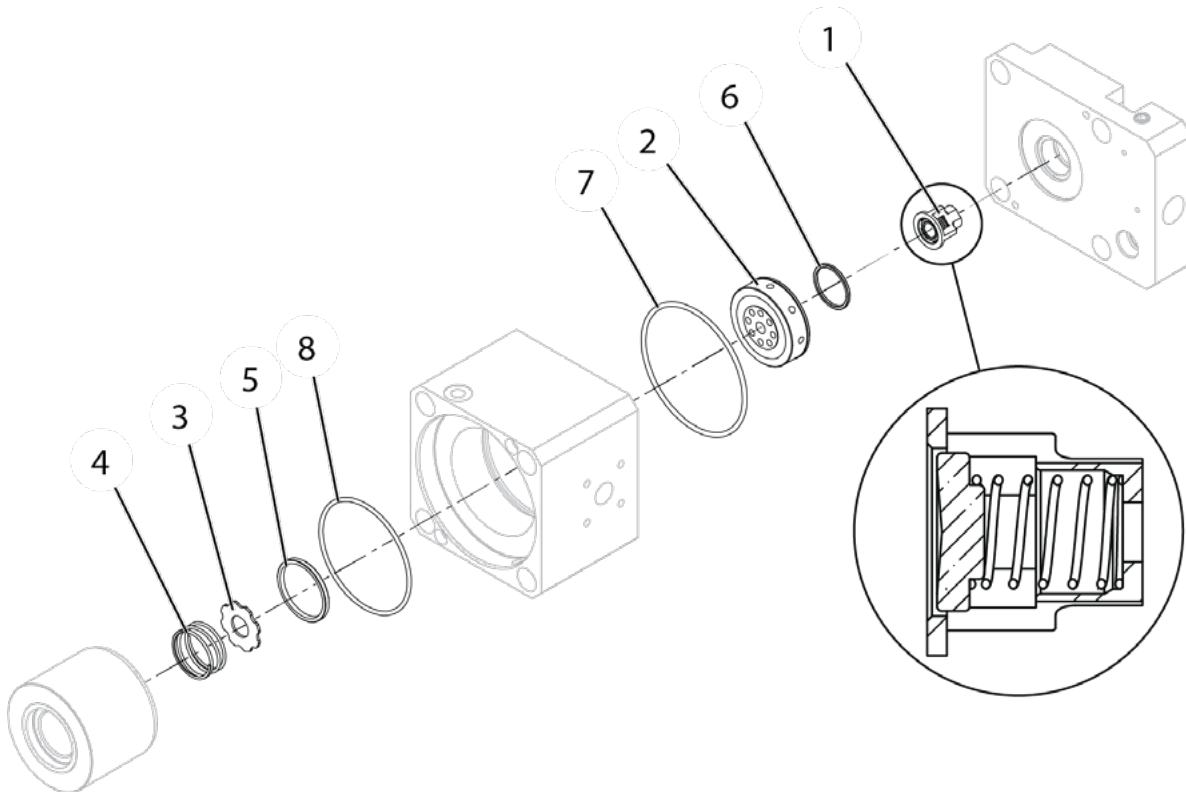
POS	PART NUMBER	QTY	DESCRIPTION	DETAILS	DETAILS 2
	V100 102 552		SEAL FLANGE KIT		Includes pos. 1-5
1	*	1	SEAL FLANGE		
2	*	1	ROD SEAL	1T	
3	*	1	ROD SEAL	2T	
4	*	1	O-RING	84,5 x 3	
5	*	1	O-RING	101,32 x 1,78	

POS	PART NUMBER	QTY	DESCRIPTION	DETAILS	DETAILS 2
	V100 102 553		SEAL FLANGE KIT SUB		Includes pos. 1-5
1	*	1	SEAL FLANGE	SUB	
2	*	1	ROD SEAL	1T	
3	*	1	ROD SEAL	2T	
4	*	1	O-RING	84,5 x 3	
5	*	1	O-RING	101,32 x 1,78	

* Not sold separately. Available only in kit or assembly described above or presented in separate part list.
Read Details 2

Seals and O-rings are also available in Seal kit, see page 18.

8. WATER VALVE KIT

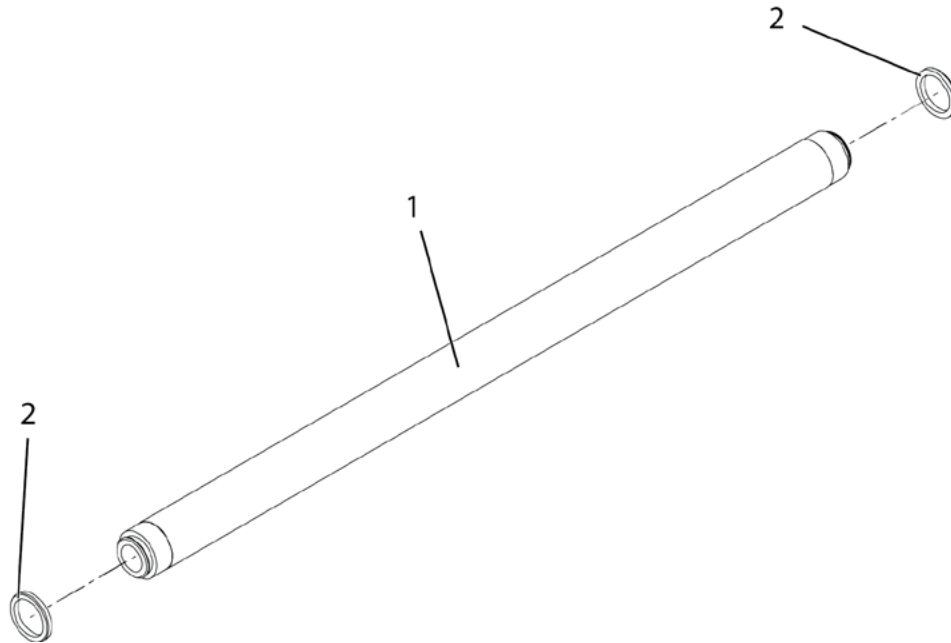


POS	PART NUMBER	QTY	DESCRIPTION	DETAILS	DETAILS 2
	V100 102 560		WATER VALVE KIT		Includes pos. 1-8
1	*	2	WATER VALVE ASSEMBLY	Pressure	
2	*	2	WATER VALVE SEAT	Suction	
3	*	2	WATER VALVE DISK	Suction	
4	*	2	SPRING	Suction	
5	*	2	SEAL	D43	
6	*	2	SEAL	D31	
7	*	2	O-RING	87 x 3	
8	*	2	O-RING	75,87 x 2,62	

* Not sold separately. Available only in kit or assembly described above or presented in separate part list.
Read Details 2

O-rings and seals are also available in Seal kit, see page 18.

9. PRESSURE PIPE

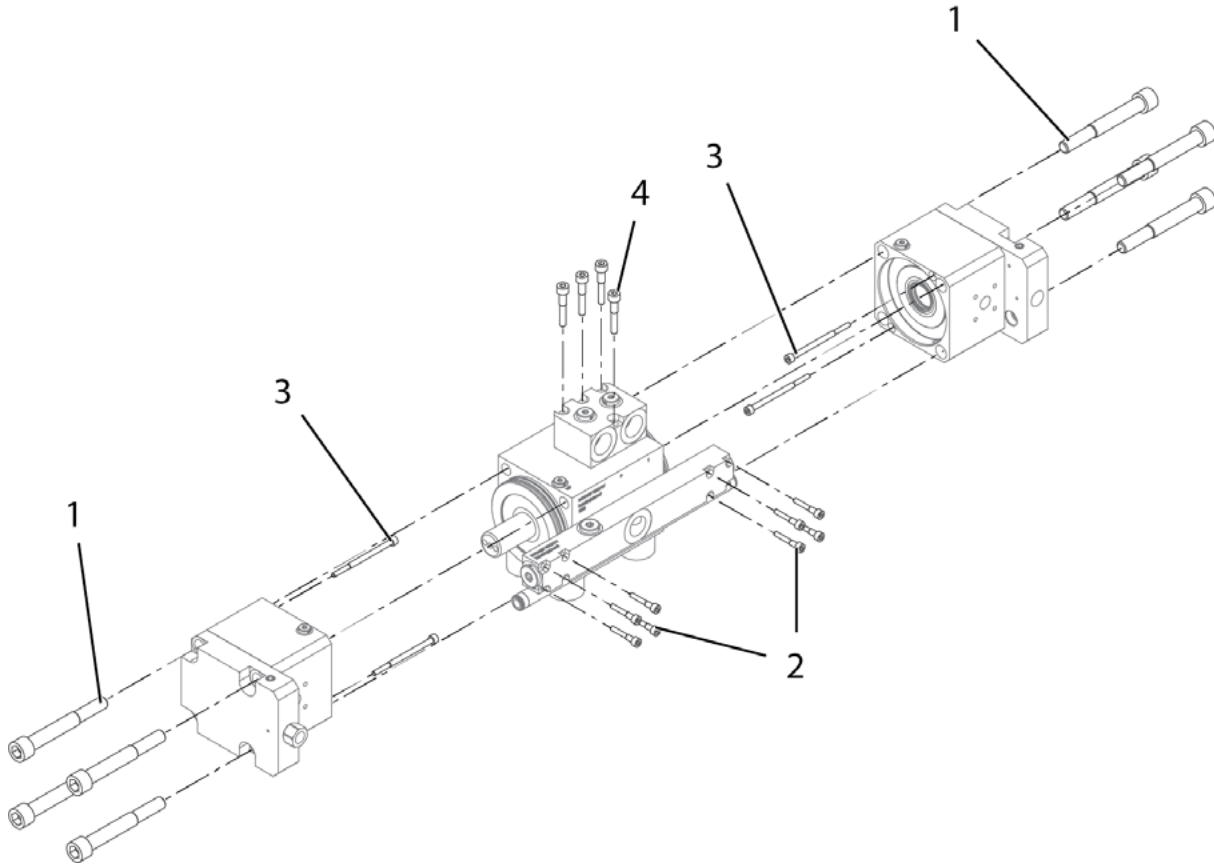


POS	PART NUMBER	QTY	DESCRIPTION	DETAILS	DETAILS 2
	V100 102 590		PRESSURE PIPE		Includes pos. 1-2
1	*	1	PRESSURE PIPE		
2	*	2	SEAL	D18	

* Not sold separately. Available only in kit or assembly described above or presented in separate part list.
Read Details 2

Seals are also available in Seal kit, see page 18.

10. SCREW KIT



SPARE PARTS

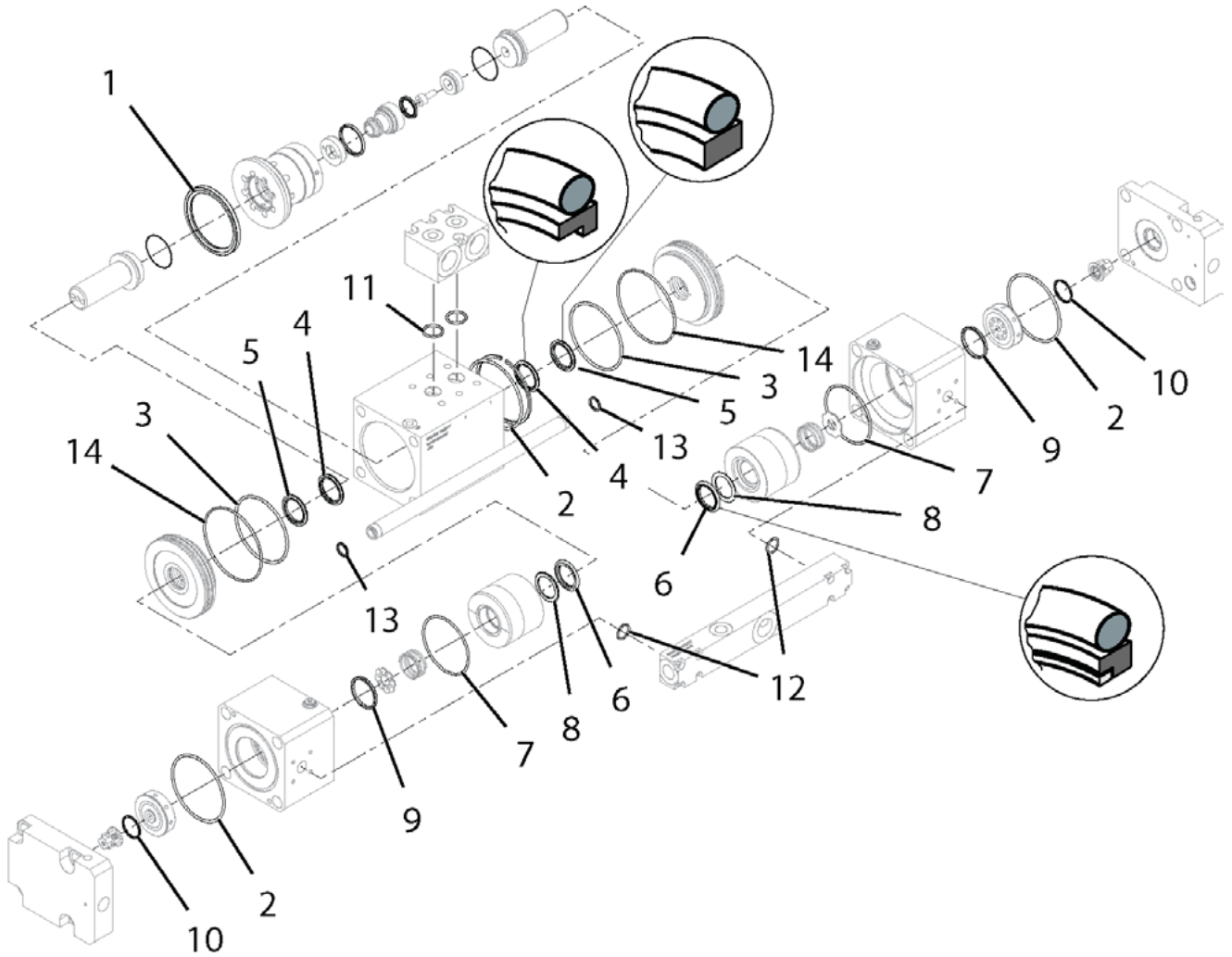
POS	PART NUMBER	QTY	DESCRIPTION	DETAILS	DETAILS 2
	V100 102 565		SCREW KIT		Includes pos 1-4
1	*	8	HEXAGON SOCKET CAP SCREW	M16 x 130	
2	*	8	HEXAGON SOCKET CAP SCREW	M6 x 35	
3	*	4	HEXAGON SOCKET CAP SCREW	M9 x 90	
4	*	4	HEXAGON SOCKET CAP SCREW	M8 x 45	

POS	PART NUMBER	QTY	DESCRIPTION	DETAILS	DETAILS 2
	V100 102 567		SCREW KIT - AIS		Includes pos 1-4
1	*	8	HEXAGON SOCKET CAP SCREW	M16 x 130	Stainless steel
2	*	8	HEXAGON SOCKET CAP SCREW	M6 x 35	Stainless steel
3	*	4	HEXAGON SOCKET CAP SCREW	M9 x 90	Stainless steel
4	*	4	HEXAGON SOCKET CAP SCREW	M8 x 45	Stainless steel

* Not sold separately. Available only in kit or assembly described above or presented in separate part list.
Read Details 2

! **NOTE!** Tightening torques can be found in user manual.

11. SEAL KIT



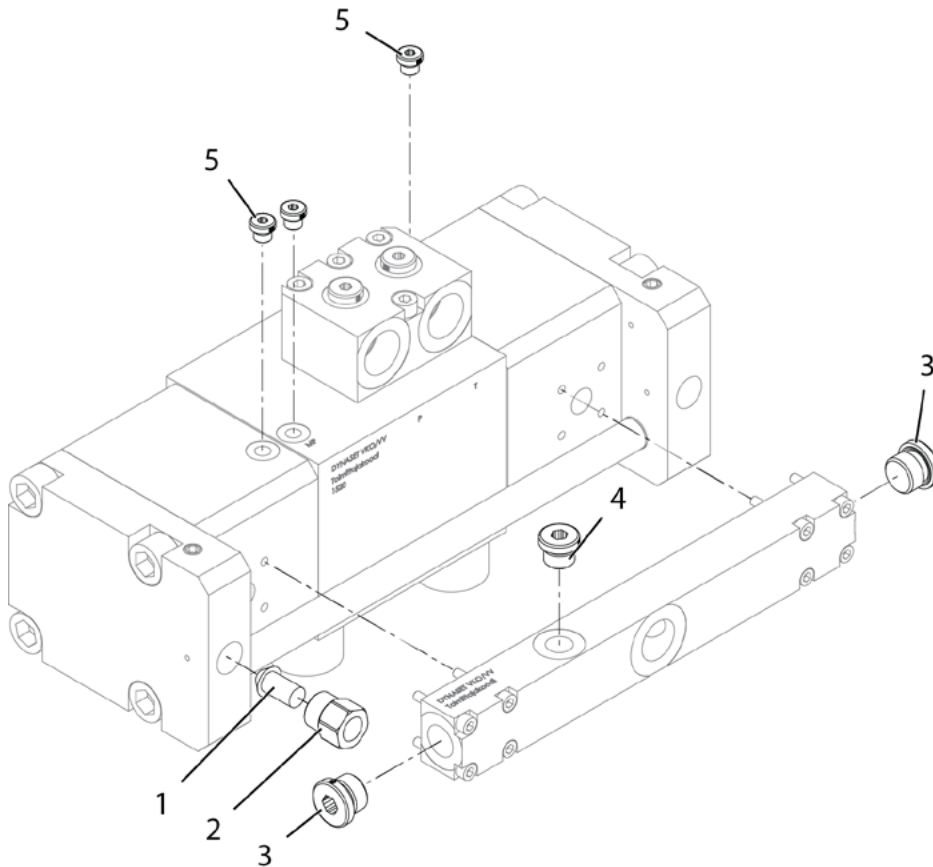
SPARE PARTS

POS	PART NUMBER	QTY	DESCRIPTION	DETAILS	DETAILS 2
	V100 102 550		SEAL KIT		Includes pos. 1-14
1	*	1	PISTON SEAL ASSEMBLY	M90	
2	*	3	O-RING	87 x 3	
3	*	2	O-RING	84,5 x 3	
4	*	2	ROD SEAL	1T	Includes o-ring
5	*	2	ROD SEAL	2T	Includes o-ring
6	*	2	ROD SEAL	1T - Corner Reinforced	Includes o-ring
7	*	2	O-RING	75,87 x 2,62	
8	*	2	SUPPORT FLANGE	41/30	
9	*	2	SEAL	D43	
10	*	2	SEAL	D31	
11	*	2	O-RING	21,3 x 2.4	
12	*	2	O-RING	17 x 2	
13	*	2	SEAL	D18	
14	*	2	O-RING	101,32 x 1,78	
	V100 101 130		PISTON SEAL KIT		See page 11

POS	PART NUMBER	QTY	DESCRIPTION	DETAILS	DETAILS 2
	V100 102 551		SEAL KIT - SUB		Includes pos. 1-14
1	*	1	PISTON SEAL ASSEMBLY	M90	
2	*	1	O-RING	87 x 3	
3	*	4	O-RING	84,5 x 3	
4	*	2	ROD SEAL	1T	Includes o-ring
5	*	2	ROD SEAL	2T	Includes o-ring
6	*	2	ROD SEAL	1T - Corner Reinforced	Includes o-ring
7	*	2	O-RING	75,87 x 2,62	
8	*	2	SUPPORT FLANGE	41/30	
9	*	2	SEAL	D43	
10	*	2	SEAL	D31	
11	*	2	O-RING	21,3 x 2.4	
12	*	2	O-RING	17 x 2	
13	*	2	SEAL	D18	
14	*	2	O-RING	101,32 x 1,78	

* Not sold separately. Available only in kit or assembly described above or presented in separate part list.
Read Details 2

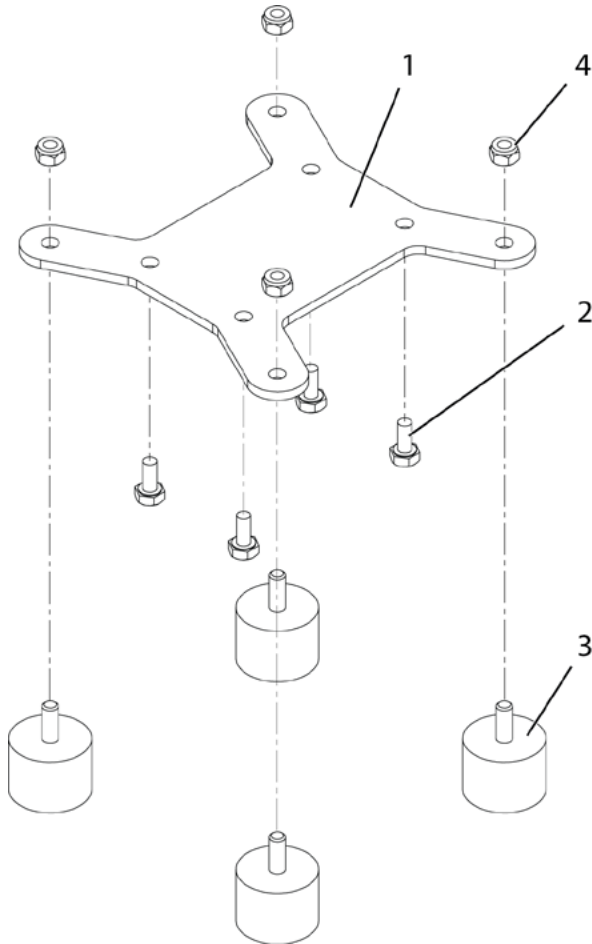
12. PLUG KIT



POS	PART NUMBER	QTY	DESCRIPTION	DETAILS	DETAILS 2
	V100 102 555		PLUG KIT		Includes pos. 1-5
1	*	1	PLUG		Stainless steel
2	*	1	GLAND NUT		Stainless steel
3	*	2	HEXAGON SOCKET CAP PLUG	R1/2	Stainless steel
4	*	1	HEXAGON SOCKET CAP PLUG	R3/4	Stainless steel
5	*	3	HEXAGON SOCKET CAP PLUG	R1/8	Stainless steel
	V100 102 586		PLUG KIT	MP9/16	Includes pos. 1-2

* Not sold separately. Available only in kit or assembly described above or presented in separate part list.
Read Details 2

13. MOUNTING PLATE KIT



POS	PART NUMBER	QTY	DESCRIPTION	DETAILS	DETAILS 2
	V100 102 274		MOUNTING PLATE KIT		Includes pos 1-4
1	*	1	MOUNTING PLATE		
2	*	4	HEXAGON SOCKET CAP SCREW	M8x16	
3	V100 100 000	1	RUBBER CUSHION KIT		Includes 4 rubber cushions
4	*	4	LOCK NUT	M8	

* Not sold separately. Available only in kit or assembly described above or presented in separate part list.
Read Details 2