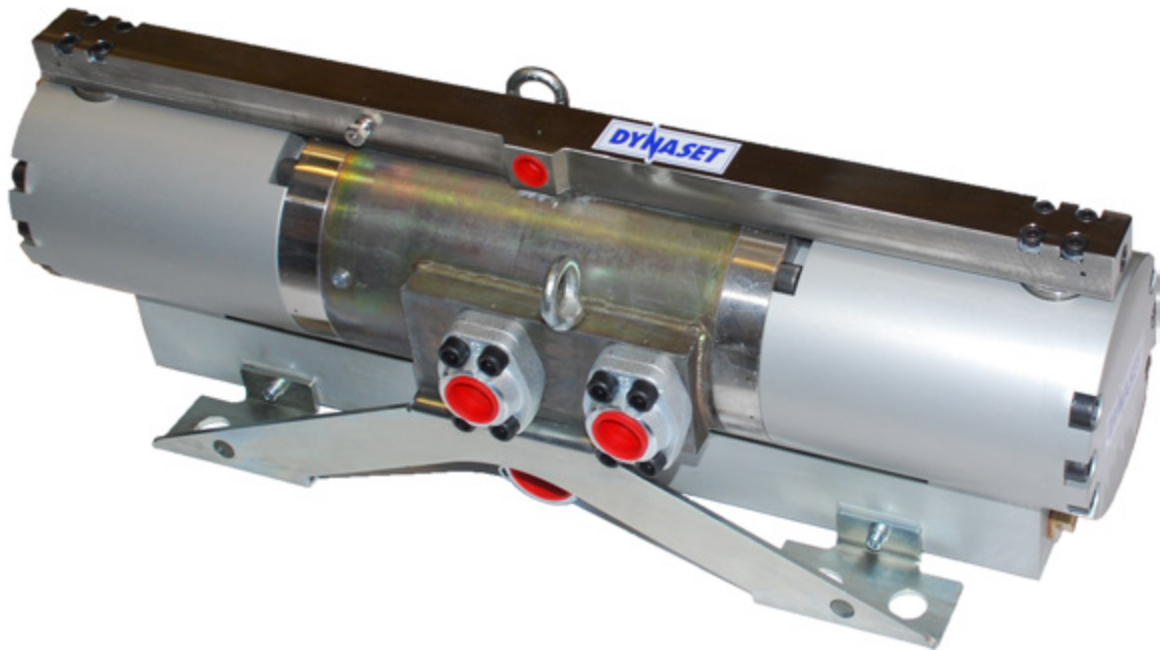
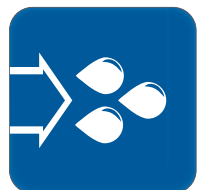


DYNASET
POWERED BY HYDRAULICS



SPARE PARTS
HIGH PRESSURE WATER PUMPS



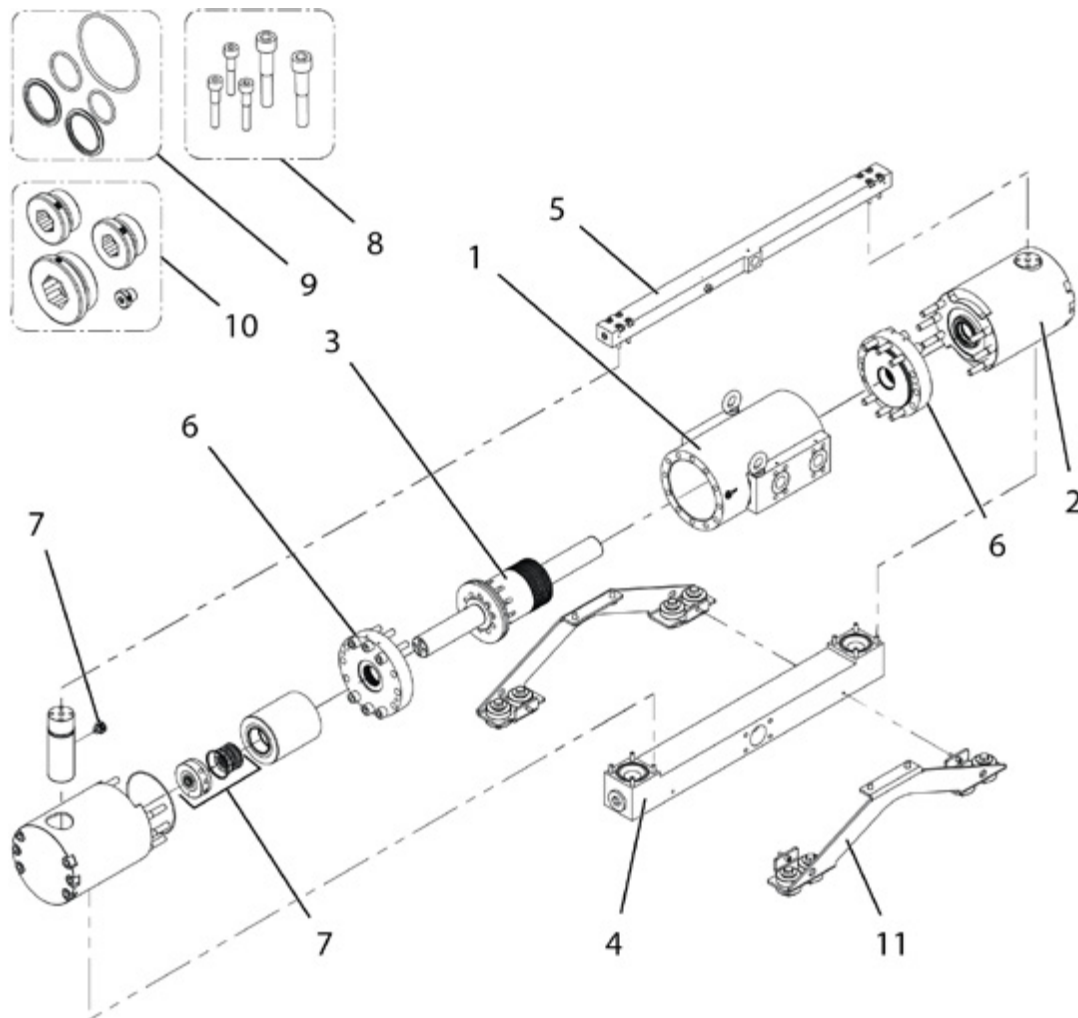
HPW 1200 /100-440

HPW1200_100-440_Spare_Parts_MEA-PL1.1

SPARE PARTS

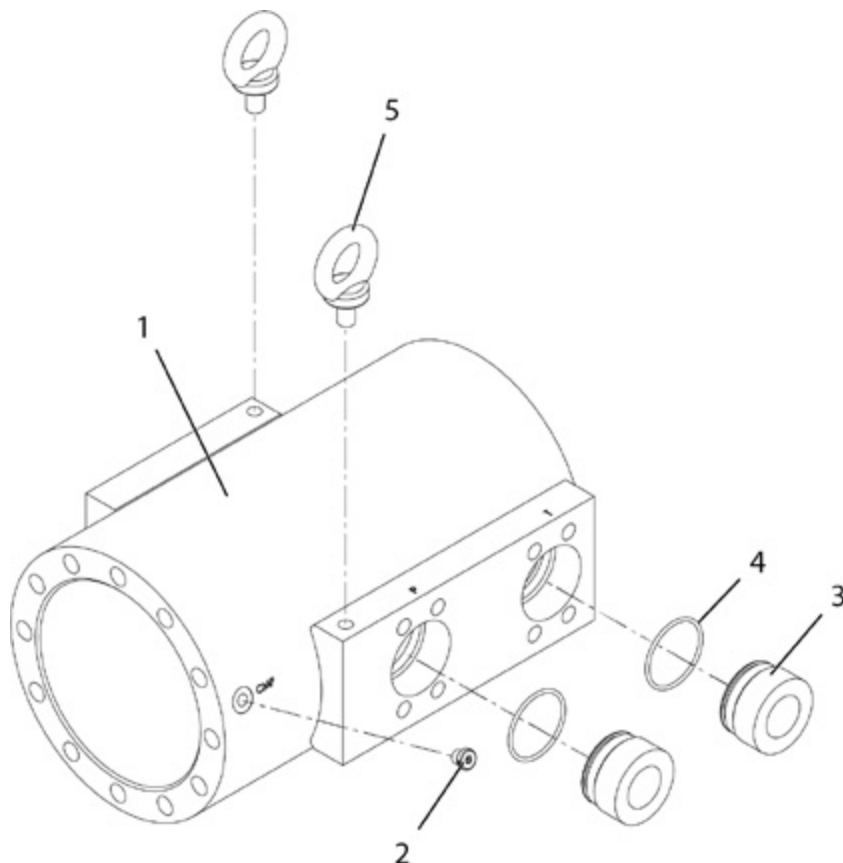
MAIN COMPONENTS	3
1. CENTER BODY	4
2. HEAD	5
3. PISTON	6
4. SUCTION MANIFOLD	7
5. PRESSURE MANIFOLD	8
6. SEAL FLANGE	9
7. WATER VALVE KIT	10
8. SCREW KIT	11
9. SEAL KIT	12
10. PLUG KIT	14
11. BRACKET KIT	15

MAIN COMPONENTS



POS	PART NUMBER	QTY	DESCRIPTION	DETAILS	DETAILS 2
1		1	CENTER BODY		See separate part list
2		2	HEAD		See separate part list
3		1	PISTON ASSEMBLY		See separate part list
4		1	SUCTION MANIFOLD		See separate part list
5		1	PRESSURE MANIFOLD		See separate part list
6		2	SEAL FLANGE		See separate part list
7		2	WATER VALVE KIT		See separate part list
8			SCREW KIT		See separate part list
9			SEAL KIT		See separate part list
10			PLUG KIT		See separate part list
11		2	BRACKET KIT		See separate part list

1. CENTER BODY



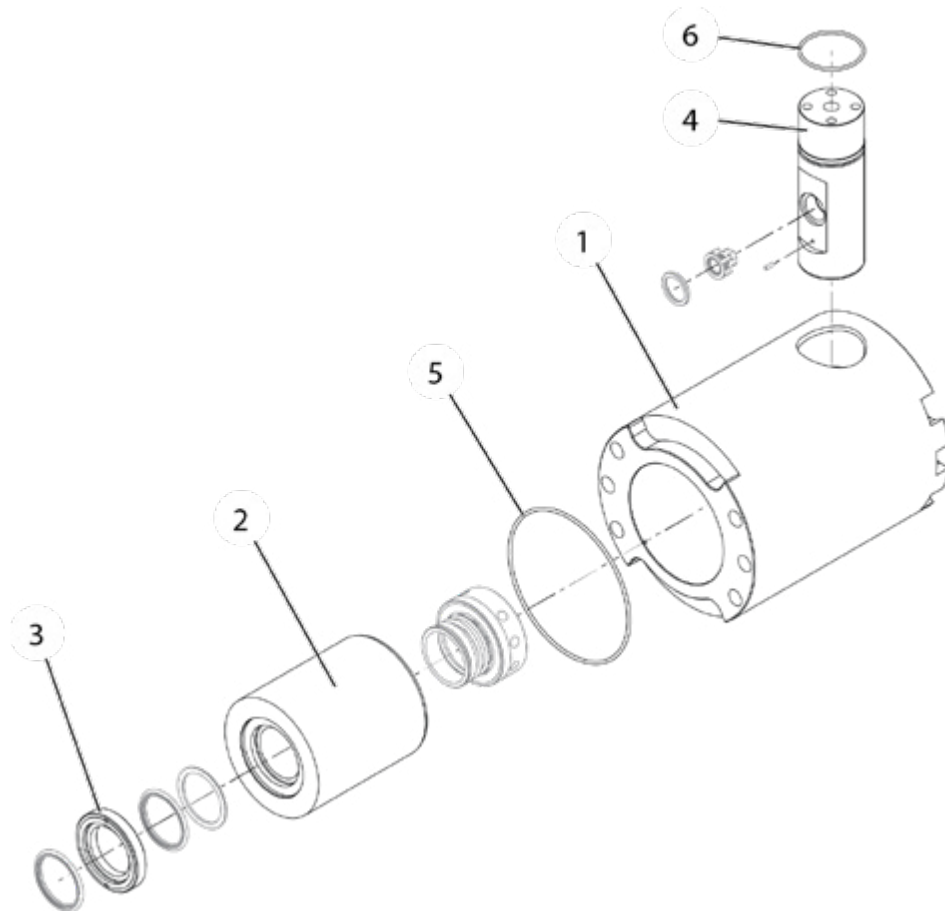
POS	PART NUMBER	QTY	DESCRIPTION	DETAILS	DETAILS 2
	V100 121 570	1	CENTER BODY ASSEMBLY	Replaceable Cylinder Liner	Includes pos. 1-5
1	*	1	CENTER BODY	M150	
2	*	1	HEXAGON SOCKET CAP PLUG	R1/8	Stainless steel
3	*	2	PORT SLEEVE	M150	
4	*	2	O-RING	47,30 x 2,62	
5	*	2	LIFTING EYE BOLT	M12	
	V100 121 670		PORT SLEEVE KIT	Kit includes 1 port sleeve and o-ring	Includes pos. 3-4
	V100 121 650		LIFTING EYE BOLT KIT		Includes pos. 5

* Not sold separately. Available only in kit or assembly described above or presented in separate part list.
Read Details 2

O-rings are also available in Seal kit, see page 12.

Plugs are also available in Plug kit, see page 14.

2. HEAD

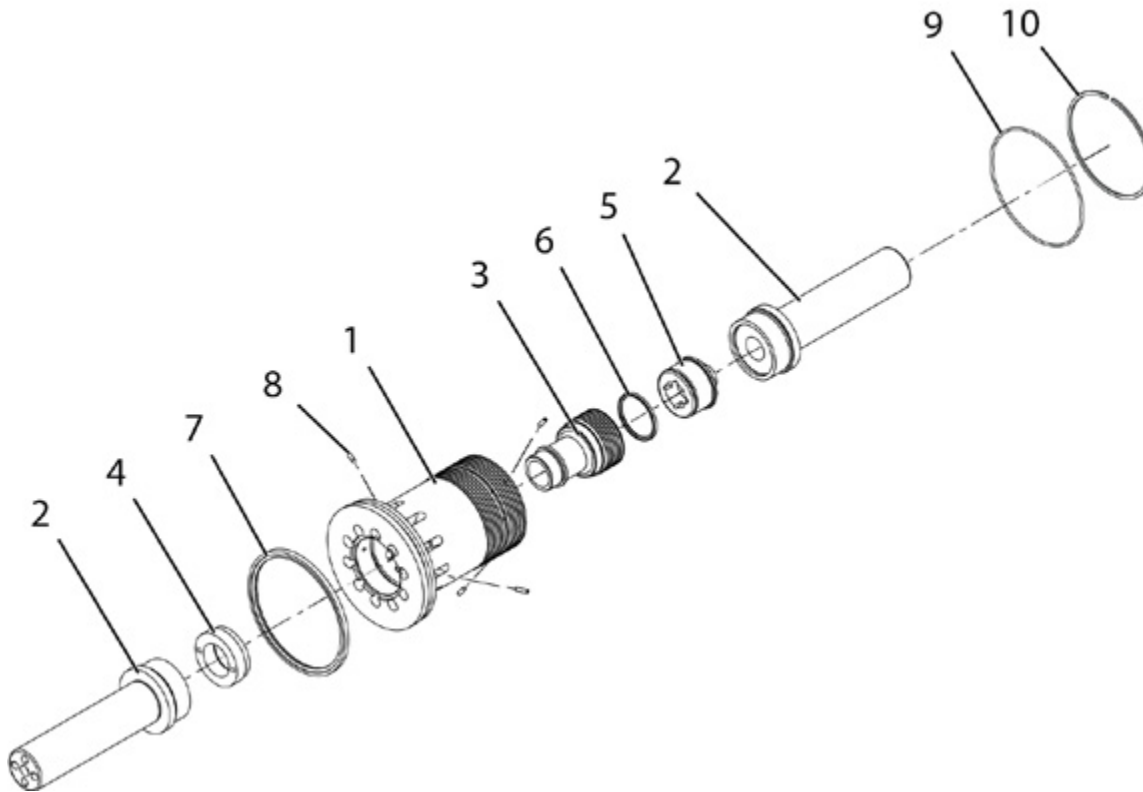


POS	PART NUMBER	QTY	DESCRIPTION	DETAILS	DETAILS 2
1	V100 121 630	1	CYLINDER HOUSING		Includes pos. 5
2	V100 121 620	1	WATER CYLINDER		
3	V100 121 610	1	WATER SEAL FLANGE		
4	V100 121 640	1	ASCENDING TUBE		Includes pos. 6
5	*	1	O-RING	120,00 x 2,50	
6	*	1	O-RING	55,25 x 2,62	

* Not sold separately. Available only in kit or assembly described above or presented in separate part list.
Read Details 2

Seals are available in Seal kit, see page 12.

3. PISTON

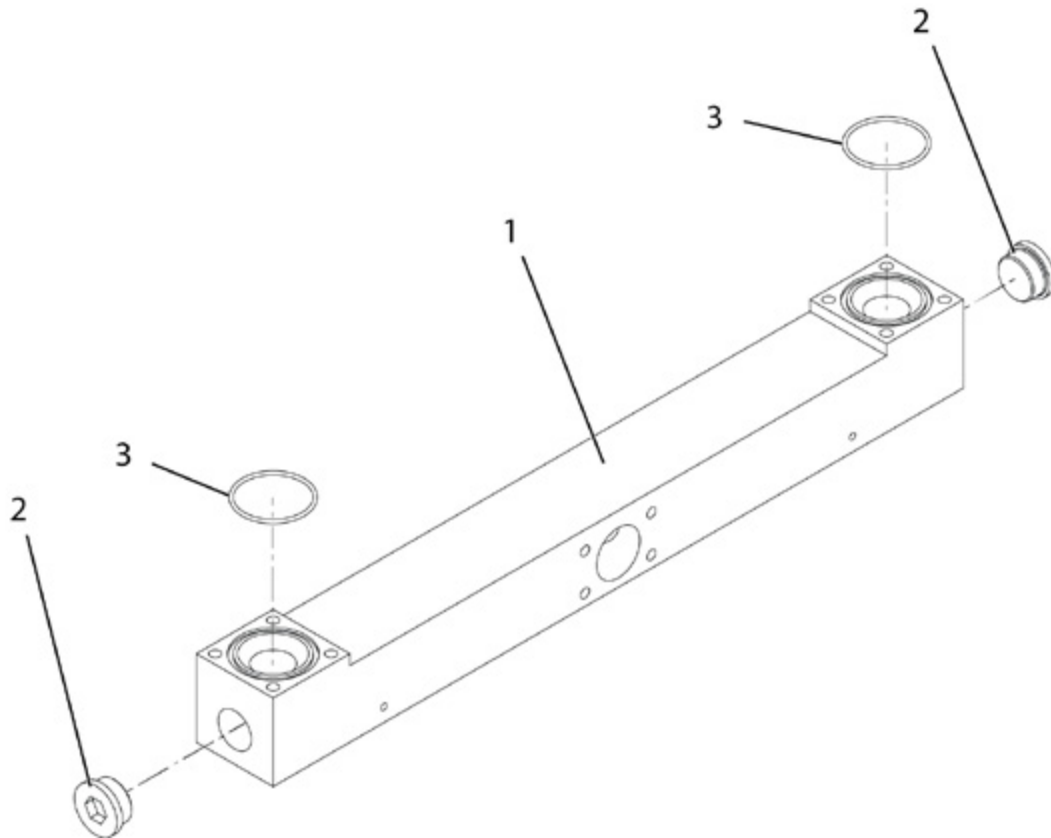


POS	PART NUMBER	QTY	DESCRIPTION	DETAILS	DETAILS 2
	V100 121 530		PISTON KIT	Piston kit includes 2 Secondary pistons	Includes pos. 1-10
1	*	1	HYDRAULIC PISTON	HPW1200	
2	V100 121 540	1	SECONDARY PISTON	HPW1200	
3	*	1	VALVE SPOOL		
4	*	1	VALVE SEAT	M150	
5	*	1	REVERSAL VALVE GUIDE	D62	
6	*	1	PISTON SEAL ASSEMBLY	M57	
7	*	1	PISTON SEAL ASSEMBLY	M150	
8	*	4	SET SCREW	M5 x 16	
9	*	1	O-RING	149,5 x 3	
10	*	1	LOCK RING	SW 130	
	V100 121 520		HYDRAULIC PISTON KIT		Includes pos. 1, 3-4, 7-10
	V100 121 680		REVERSAL VALVE GUIDE KIT		Includes pos. 5 -6

* Not sold separately. Available only in kit or assembly described above or presented in separate part list.
Read Details 2

Seals and O-rings are also available in Seal kit, see page 12.

4. SUCTION MANIFOLD

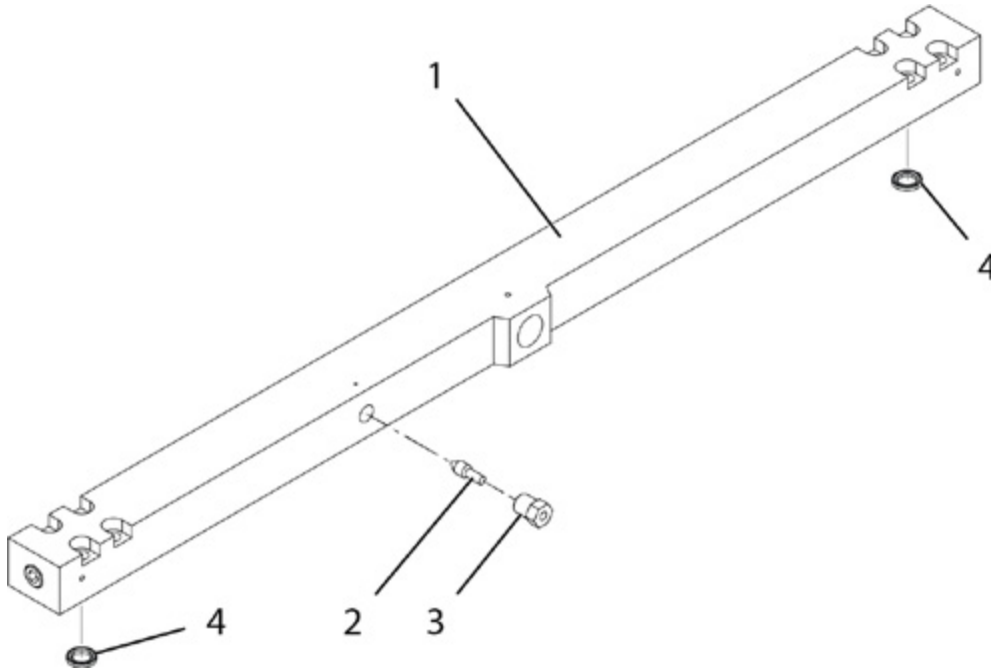


POS	PART NUMBER	QTY	DESCRIPTION	DETAILS	DETAILS 2
	V100 121 560		SUCTION MANIFOLD KIT		Includes pos. 1-3
1	*	1	SUCTION MANIFOLD	HPW1200	
2	*	2	HEXAGON SOCKET CAP PLUG	R1 1/4	Stainless steel
3	*	2	O-RING	66,27 x 3,53	

* Not sold separately. Available only in kit or assembly described above or presented in separate part list.
Read Details 2

O-rings are also available in Seal kit, see page 12.
Plugs are also available in Plug kit, see page 14.

5. PRESSURE MANIFOLD

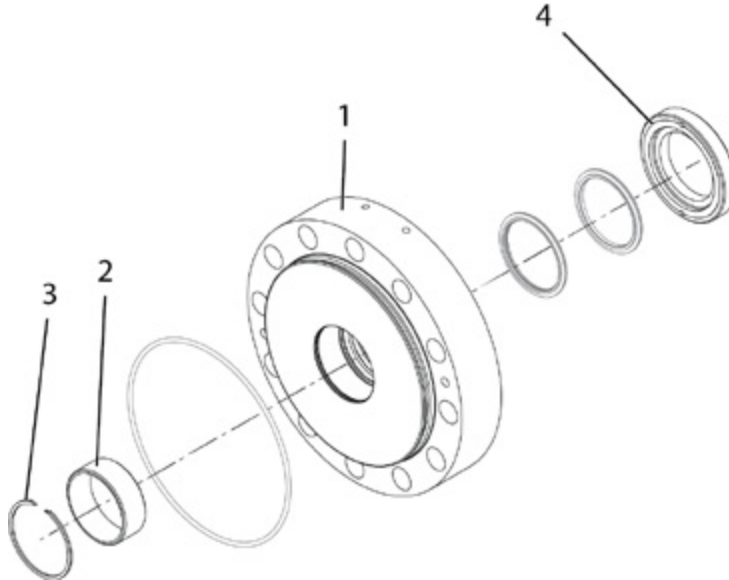


POS	PART NUMBER	QTY	DESCRIPTION	DETAILS	DETAILS 2
	V100 121 550		SUCTION MANIFOLD KIT		Includes pos. 1-4
1	*	1	SUCTION MANIFOLD		
2	*	1	PLUG	HP1/4	Stainless steel
3	*	1	GLAND NUT	HP1/4	Stainless steel
4	*	2	FLANGE SEAL	D21	

* Not sold separately. Available only in kit or assembly described above or presented in separate part list.
Read Details 2

Seals are also available in Seal kit, see page 12.
Plugs are also available in Plug kit, see page 14.

6. SEAL FLANGE

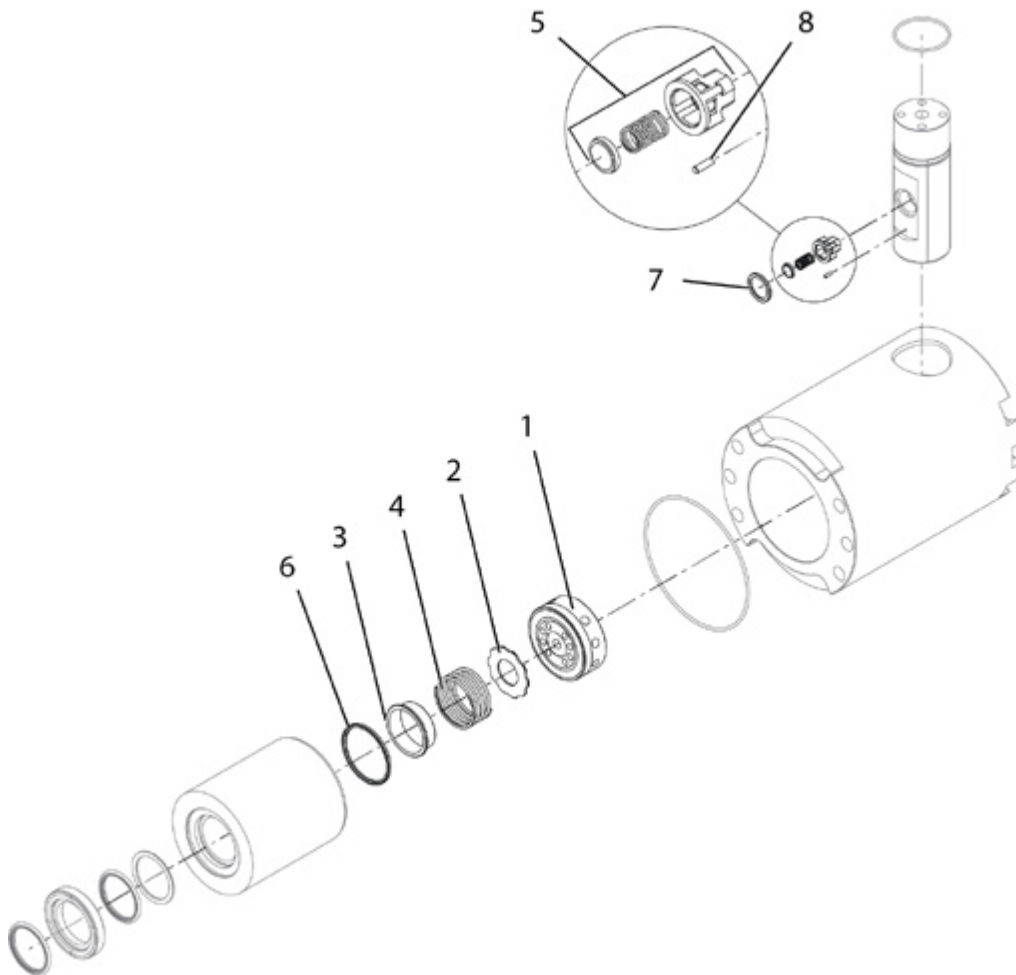


POS	PART NUMBER	QTY	DESCRIPTION	DETAILS	DETAILS 2
	V100 121 600		SEAL FLANGE KIT		Includes pos. 1-4
1	*	1	SEAL FLANGE		
2	V100 121 660	1	SLIDE BEARING	D55 / d50	Includes pos. 3
3	*	1	RETAINING RING	SB 55	
4	V100 121 610	1	WATER SEAL FLANGE		

* Not sold separately. Available only in kit or assembly described above or presented in separate part list.
Read Details 2

Seals and O-rings are available in Seal kit, see page 12.

7. WATER VALVE KIT

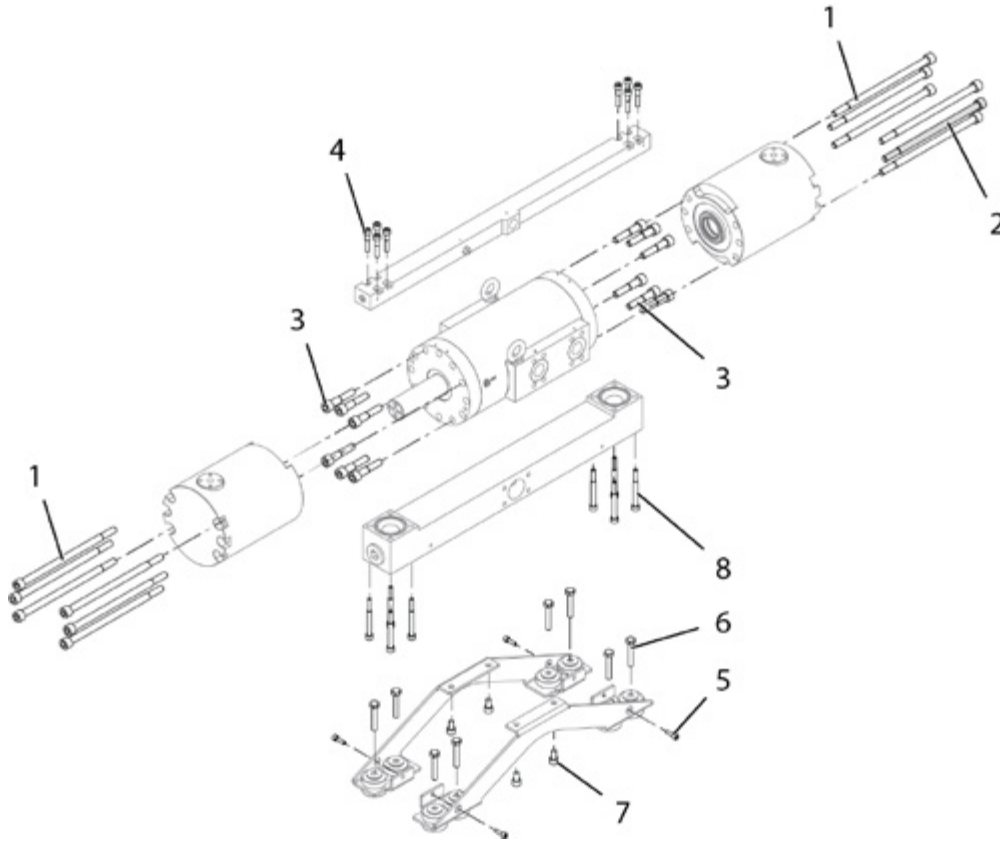


POS	PART NUMBER	QTY	DESCRIPTION	DETAILS	DETAILS 2
	V100 102 710		WATER VALVE KIT		Includes pos. 1-8
1	*	2	WATER VALVE SEAT	Suction	
2	*	2	WATER VALVE DISK	Suction	
3	*	2	SPRING GUIDE	Suction	
4	*	2	SPRING	Suction	
5	*	2	WATER VALVE ASSEMBLY	Pressure	
6	*	2	SEAL	D70	
7	*	2	SEAL	D32,5	
8	*	2	BEARING BIN	3 x 9,8	

* Not sold separately. Available only in kit or assembly described above or presented in separate part list.
Read Details 2

O-rings and seals are also available in Seal kit, see page 12.

8. SCREW KIT

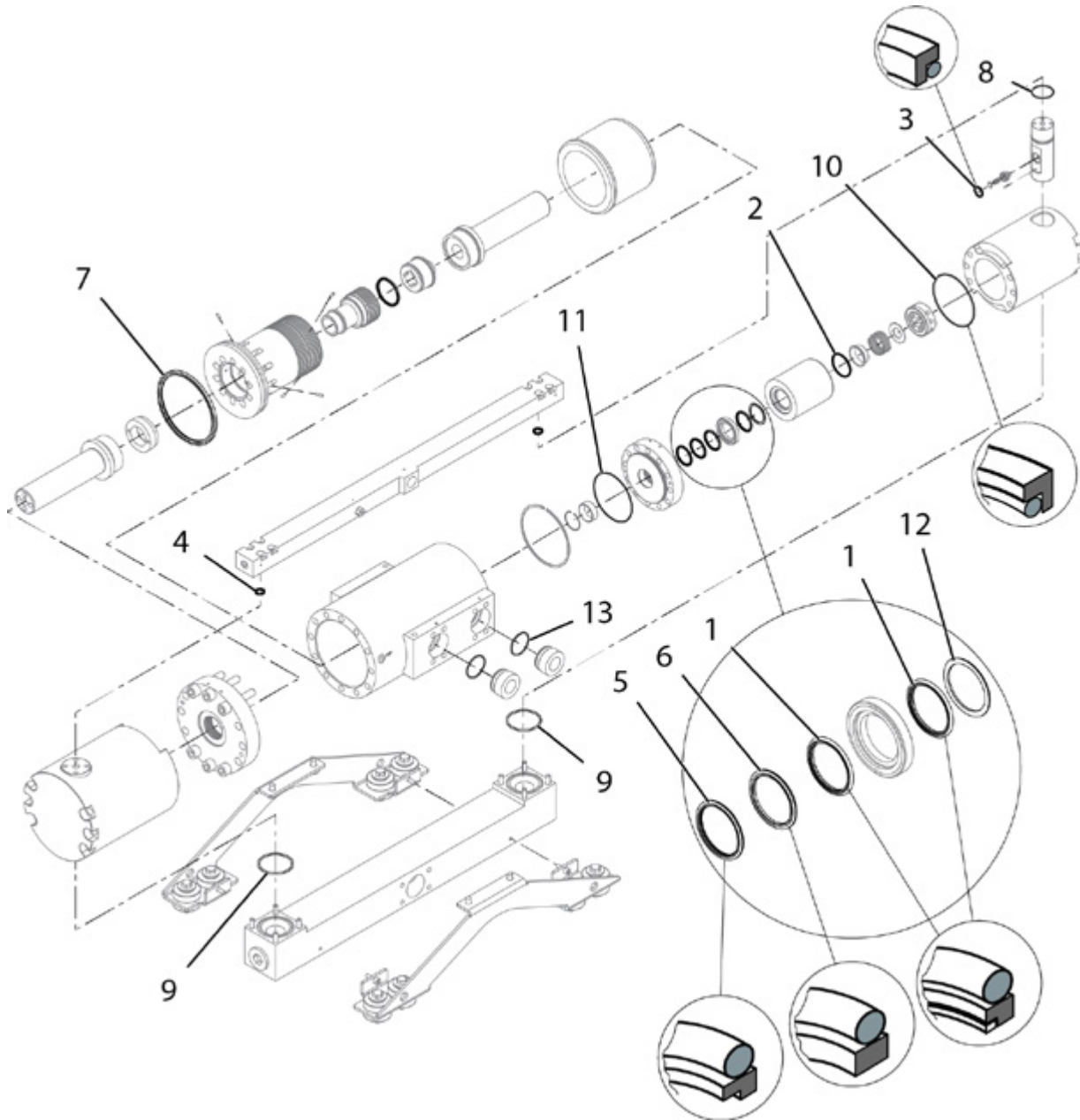


POS	PART NUMBER	QTY	DESCRIPTION	DETAILS	DETAILS 2
	V100 121 500		SCREW KIT		Includes pos 1-8
1	*	11	HEXAGON SOCKET CAP SCREW	M16 x 300	
2	*	1	HEXAGON SOCKET CAP SCREW	M16 x 280	NOTE! Tightening torque is 150 Nm
3	*	12	HEXAGON SOCKET CAP SCREW	M16 x 75	
4	*	8	HEXAGON SOCKET CAP SCREW	M10 x 50	
5	*	4	HEXAGON SOCKET CAP SCREW	M8 x 20	
6	*	8	HEXAGON HEAD SCREW	M12 x 60	
7	*	4	HEXAGON HEAD SCREW	M12 x 20	
8	*	8	HEXAGON SOCKET CAP SCREW	M10 x 100	

* Not sold separately. Available only in kit or assembly described above or presented in separate part list.
Read Details 2

! NOTE! Tightening torques can be found in user manual.

9. SEAL KIT

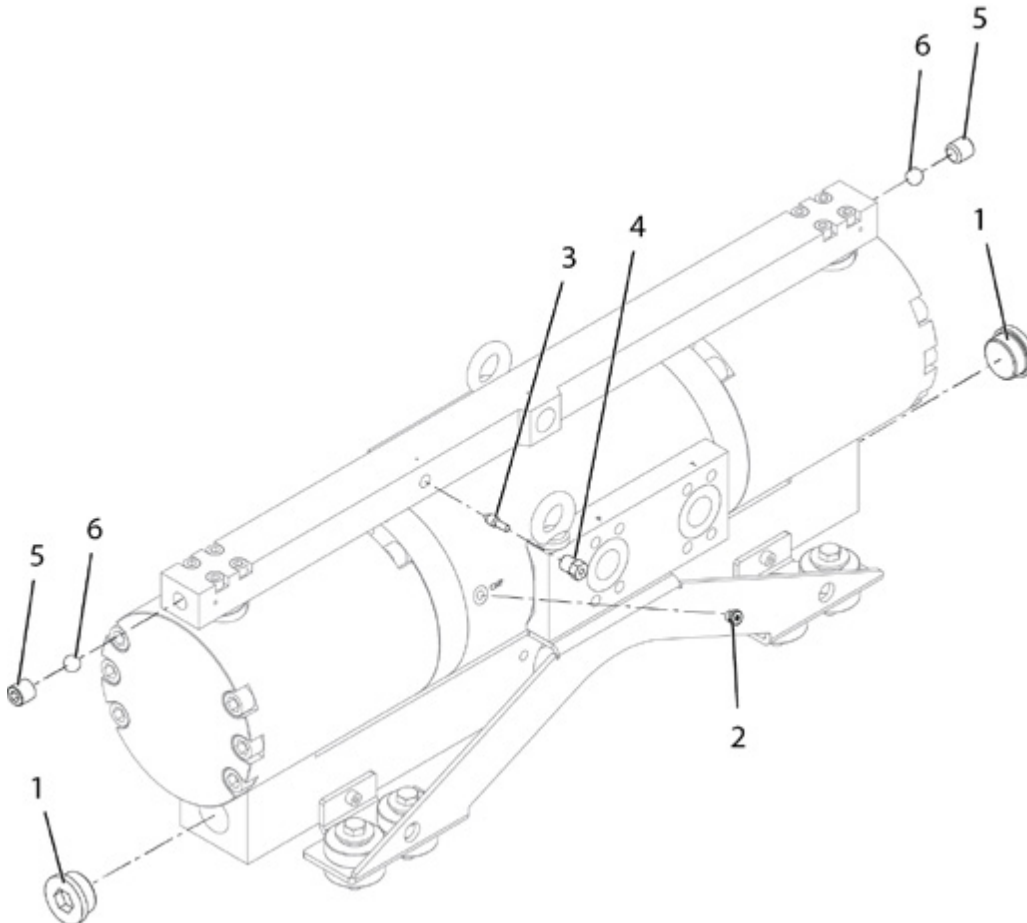


SPARE PARTS

POS	PART NUMBER	QTY	DESCRIPTION	DETAILS	DETAILS 2
	V100 102 700		SEAL KIT		Includes pos. 1-13
1	*	4	ROD SEAL	1T - Corner Reinforced	Includes o-ring
2	*	2	SEAL	D70	Includes o-ring
3	*	2	SEAL	D32,5	Includes o-ring
4	*	2	SEAL	D21	Includes o-ring
5	*	2	ROD SEAL	1T	Includes o-ring
6	*	2	ROD SEAL	2T	Includes o-ring
7	*	1	PISTON SEAL ASSEMBLY	M150	Includes o-ring
8	*	2	O-RING	55,25 x 2,62	
9	*	2	O-RING	66,27 x 3,53	
10	*	2	O-RING	120 x 2,5	
11	*	2	O-RING	144,5 x 3	
12	*	2	SEAL SUPPORT	50/61	
13	*	2	O-RING	47,3 x 2,62	

* Not sold separately. Available only in kit or assembly described above or presented in separate part list.
Read Details 2

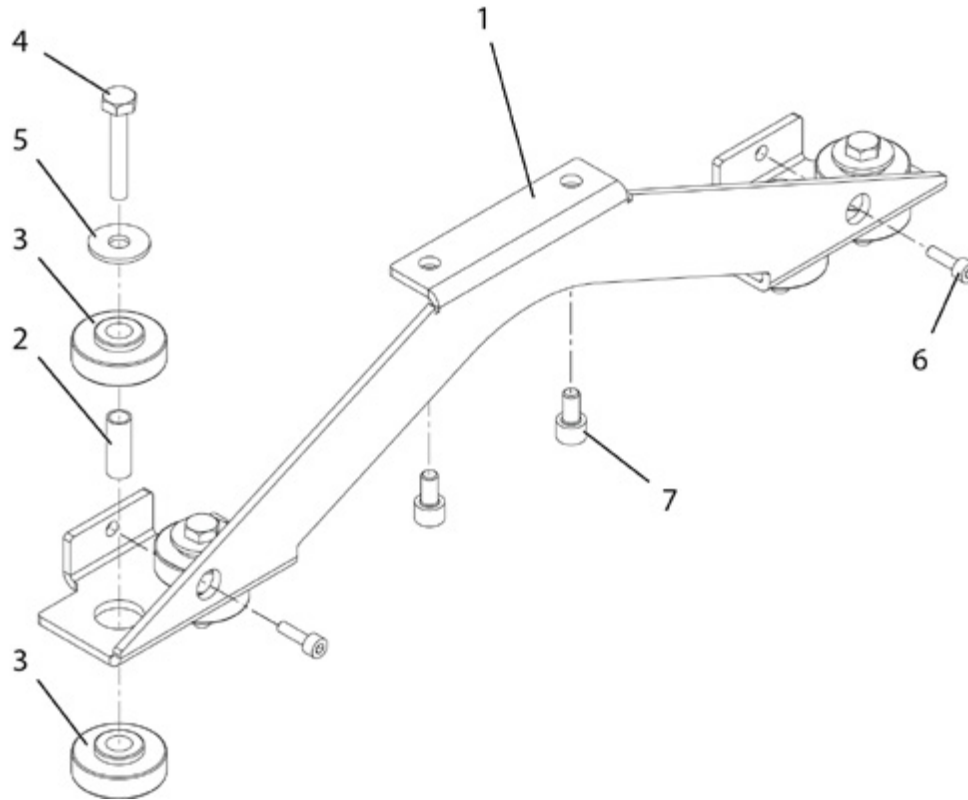
10. PLUG KIT



POS	PART NUMBER	QTY	DESCRIPTION	DETAILS	DETAILS 2
	V100 121 510		PLUG KIT		Includes pos. 1-6
1	*	2	HEXAGON SOCKET CAP PLUG	R1 1/4	Stainless steel
2	*	1	HEXAGON SOCKET CAP PLUG	R1/8	
3	*	1	GLAND NUT	R1/2	Stainless steel
4	*	1	PLUG	R3/4	Stainless steel
5	*	2	SET SCREW	M20 x 20	
6	*	2	BALL PLUG		Stainless steel

* Not sold separately. Available only in kit or assembly described above or presented in separate part list.
Read Details 2

11. BRACKET KIT



POS	PART NUMBER	QTY	DESCRIPTION	DETAILS	DETAILS 2
	V100 121 580		BRACKET KIT		Includes pos 1-7
1	*	1	BRACKET		
2	*	4	BUSHING	15 x 1,5	
3	*	8	RUBBER SLEEVE	57/16	
4	*	4	HEXAGON HEAD SCREW	M12 x 65	
5	*	4	WASHER	A13	
6	*	2	HEXAGON SOCKET CAP SCREW	M8 x 25	
7	*	2	HEXAGON SOCKET CAP SCREW	M12 x 20	

* Not sold separately. Available only in kit or assembly described above or presented in separate part list.
Read Details 2