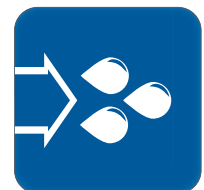


**SPARE PARTS**  
**HIGH PRESSURE WATER PUMPS**



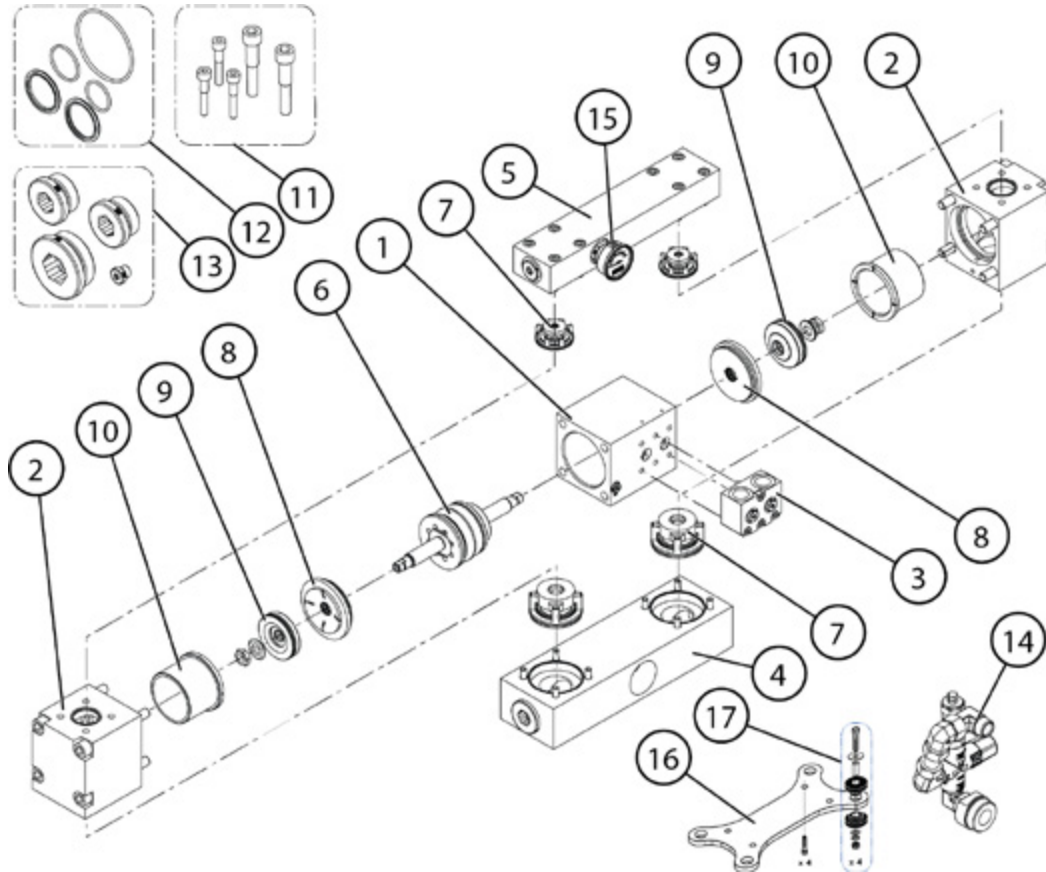
HPW 130 /180-140

HPW130\_180-140\_Spare\_Parts\_MEA-PL1.0

## SPARE PARTS

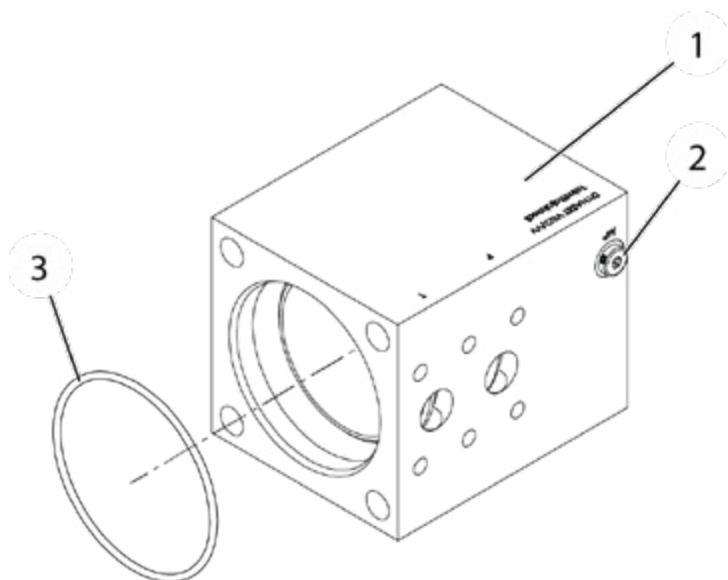
<b>MAIN COMPONENTS</b>	<b>3</b>
1. <b>CENTER BODY</b> .....	<b>4</b>
2. <b>HEAD</b> .....	<b>5</b>
3. <b>PT BLOCK</b> .....	<b>6</b>
4. <b>PISTON</b> .....	<b>10</b>
5. <b>SUCTION MANIFOLD</b> .....	<b>12</b>
6. <b>PRESSURE MANIFOLD</b> .....	<b>13</b>
7. <b>WATER VALVE</b> .....	<b>14</b>
8. <b>SEAL FLANGE KIT</b> .....	<b>16</b>
9. <b>SECONDARY PISTON KIT</b> .....	<b>17</b>
10. <b>WATER CYLINDER</b> .....	<b>18</b>
11. <b>SCREW KIT</b> .....	<b>19</b>
12. <b>SEAL KIT</b> .....	<b>20</b>
13. <b>PLUG KIT</b> .....	<b>22</b>
14. <b>UNLOADER VALVE</b> .....	<b>23</b>
15. <b>PRESSURE GAUGE KIT</b> .....	<b>24</b>

## MAIN COMPONENTS



POS	PART NUMBER	QTY	DESCRIPTION	DETAILS	DETAILS 2
1		1	CENTER BODY		See separate part list
2		2	HEAD		See separate part list
3		1	PT BLOCK		See separate part list
4		1	SUCTION MANIFOLD		See separate part list
5		1	PRESSURE MANIFOLD		See separate part list
6		1	PISTON		See separate part list
7		1	WATER VALVE KIT		See separate part list
8		2	SEAL FLANGE		See separate part list
9		2	SECONDARY PISTON		See separate part list
10		2	WATER CYLINDER		See separate part list
11			SCREW KIT		See separate part list
12			SEAL KIT		See separate part list
13			PLUG KIT		See separate part list
14			UNLOADER VALVE		See separate part list
15			PRESSURE GAUGE KIT		See separate part list
16	D219 011 784	1	MOUNTING PLATE KIT		
17	V100 100 010	1	RUBBER CUSHION KIT		Includes 4 cushions

## 1. CENTER BODY



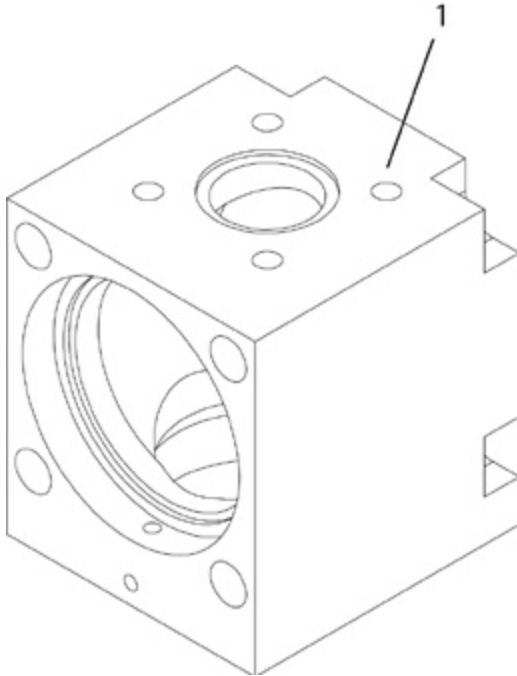
POS	PART NUMBER	QTY	DESCRIPTION	DETAILS	DETAILS 2
1	V100 101 500	1	CENTER BODY		Includes pos. 2-3
2	*	1	HEXAGON SOCKET CAP PLUG	R1/8	
3	*	1	O-RING	87 x 3	

POS	PART NUMBER	QTY	DESCRIPTION	DETAILS	DETAILS 2
1	V100 101 520	1	CENTER BODY AIS	Stainless steel	Includes pos. 2-3
2	*	1	HEXAGON SOCKET CAP PLUG	R1/8	Stainless steel
3	*	1	O-RING	87 x 3	

\* Not sold separately. Available only in kit or assembly described above or presented in separate part list.  
Read Details 2

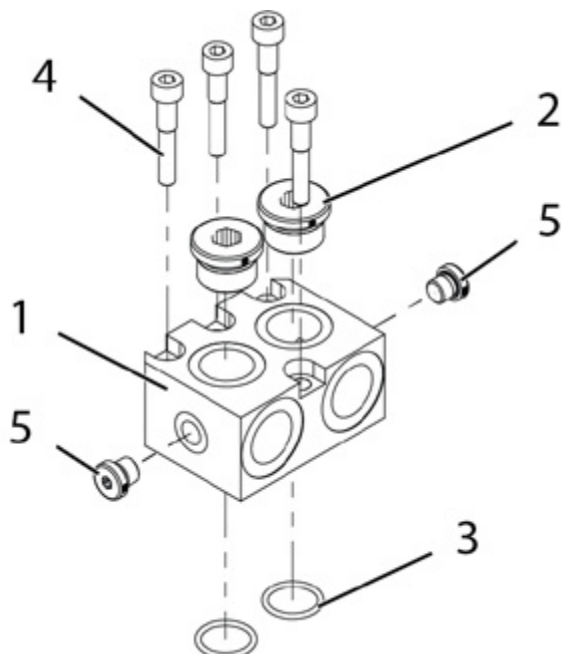
O-rings are also available in Seal kit, see page 20.  
Plugs are also available in Plug kit, see page 22.

## 2. HEAD



POS	PART NUMBER	QTY	DESCRIPTION	DETAILS	DETAILS 2
1	V100 102 393	1	HEAD	Standard	

### 3. PT BLOCK

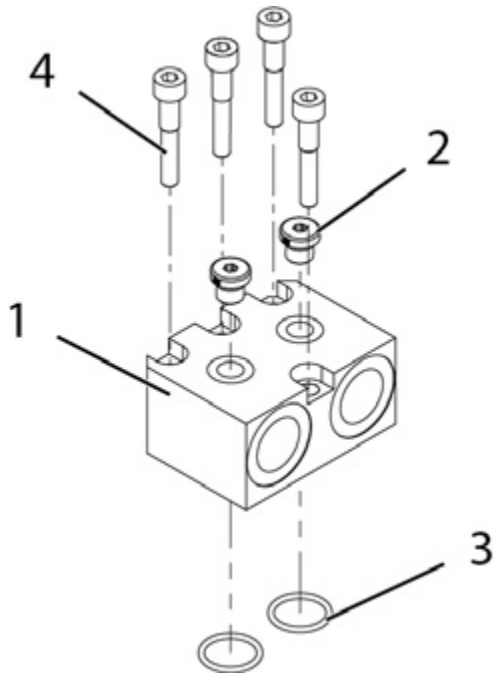


POS	PART NUMBER	QTY	DESCRIPTION	DETAILS	DETAILS 2
	<b>V100 100 700</b>		<b>PT BLOCK</b>		<b>Includes pos. 1-5</b>
1	*	1	PT BLOCK	R3/4 - AI	
2	*	2	HEXAGON SOCKET CAP PLUG	R3/4	
3	*	2	O-RING	21,3 x 2,4	
4	*	4	HEXAGON SOCKET CAP SCREW	M8x45	
5	*	2	HEXAGON SOCKET CAP PLUG	R1/4	

POS	PART NUMBER	QTY	DESCRIPTION	DETAILS	DETAILS 2
	<b>V100 100 770</b>		<b>PT BLOCK - M</b>		<b>Includes pos. 1-5</b>
1	*	1	PT BLOCK	R3/4 - AI	
2	*	2	HEXAGON SOCKET CAP PLUG	R3/4	Stainless steel
3	*	2	O-RING	21,3 x 2,4	
4	*	4	HEXAGON SOCKET CAP SCREW	M8x45	
5	*	2	HEXAGON SOCKET CAP PLUG	R1/4	Stainless steel

\* Not sold separately. Available only in kit or assembly described above or presented in separate part list.  
Read Details 2

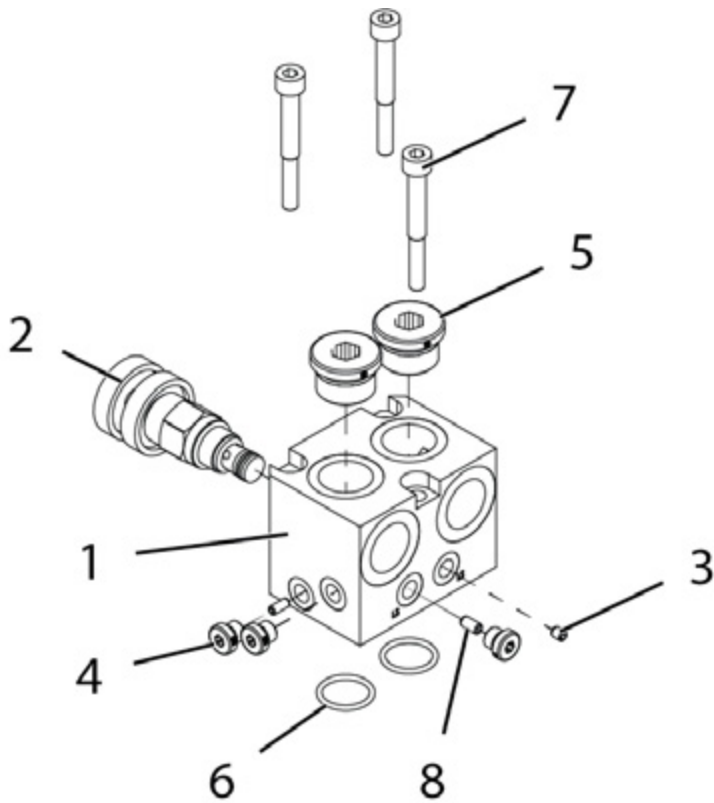
O-rings are also available in Seal kit, see page 20.  
Screws are also available in Screw kit, see page 19.



POS	PART NUMBER	QTY	DESCRIPTION	DETAILS	DETAILS 2
	<b>V100 100 720</b>		<b>PT BLOCK - AIS</b>		<b>Includes pos. 1-4</b>
1	*	1	PT BLOCK	R3/4 - AIS	Stainless Steel
2	*	2	HEXAGON SOCKET CAP PLUG	R1/4	Stainless Steel
3	*	2	O-RING	21,3 x 2,4	
4	*	4	HEXAGON SOCKET CAP SCREW	M8x45	Stainless Steel

\* Not sold separately. Available only in kit or assembly described above or presented in separate part list.  
Read Details 2

O-rings are also available in Seal kit, see page 20.  
Screws are also available in Screw kit, see page 19.



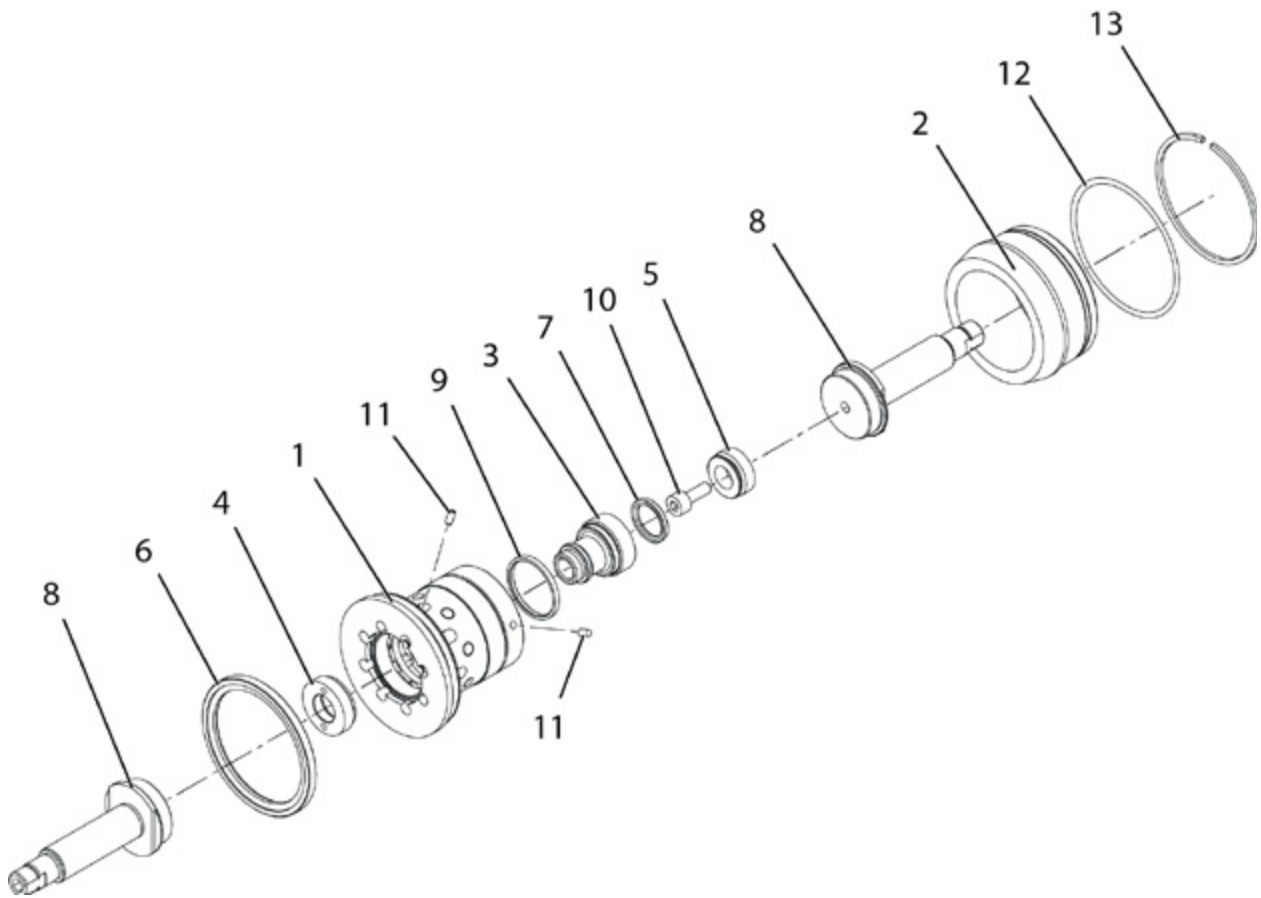


**SPARE PARTS**

POS	PART NUMBER	QTY	DESCRIPTION	DETAILS	DETAILS 2
	<b>V100 100 740</b>		<b>PT BLOCK LS</b>		<b>Includes pos. 1-9</b>
1	*	1	PT BLOCK	R3/4 - AI - LS	
2	*	1	PRESSURE RELIEF VALVE CARTRIDGE	35-350 bar	
3	*	1	ORIFICE	M6	
4	*	3	HEXAGON SOCKET CAP PLUG	R1/8	
5	*	2	HEXAGON SOCKET CAP PLUG	R3/4	
6	*	2	O-RING	21,3 x 2,4	
7	*	3	HEXAGON SOCKET CAP SCREW	M8x65	
8	*	2	SET SCREW	M4	

\* Not sold separately. Available only in kit or assembly described above or presented in separate part list.  
Read Details 2

### 4. PISTON



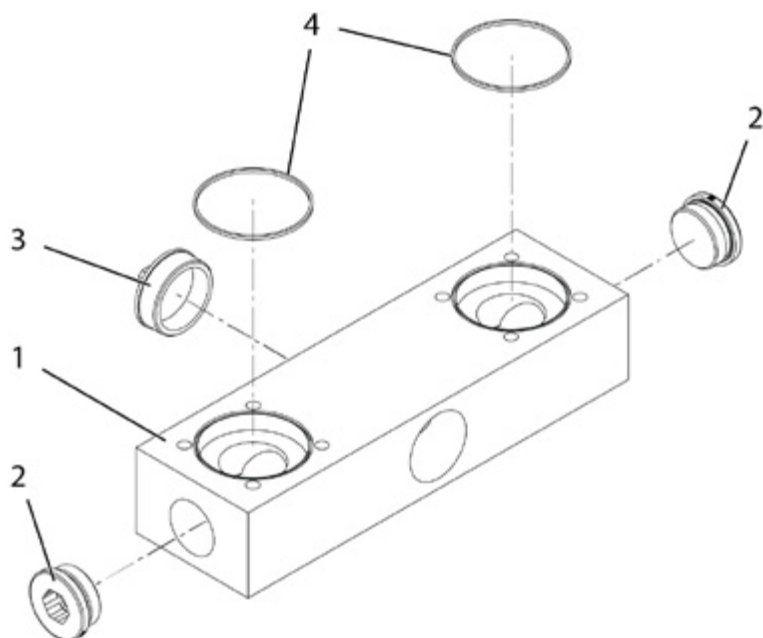
**SPARE PARTS**

POS	PART NUMBER	QTY	DESCRIPTION	DETAILS	DETAILS 2
	<b>V100 102 422</b>		<b>PISTON KIT</b>	<b>Piston kit includes 2 Piston rods</b>	<b>Includes pos. 1-13</b>
1	*	1	HYDRAULIC PISTON	D90 / d65,5	
2	*	1	CYLINDER LINER	D65,5	
3	*	1	VALVE SPOOL	D36-41,5	
4	*	1	VALVE SEAT	D35,5-10,5	
5		1	REVERSAL VALVE GUIDE	D28,5	
6	*	1	PISTON SEAL ASSEMBLY	M90	
7	*	1	PISTON SEAL ASSEMBLY	M28,5	
8	V100 102 420	1	PISTON ROD	D63	
9	*	1	ROD SEAL	36/41	
10	*	1	HEXAGON SOCKET CAP SCREW	M8 x 20	
11	*	2	SET SCREW	M5x10	
12	*	1	O-RING	87 x 3	
13	*	1	LOCK RING	SW 85 x 2,5	
	<b>V100 102 418</b>		<b>HYDRAULIC PISTON KIT</b>	<b>Piston rods excluded</b>	<b>Includes pos. 1-4, 6, 9, 11-13</b>
	<b>V100 102 529</b>		<b>REVERSAL VALVE GUIDE KIT</b>		<b>Includes pos. 5, 7, 10</b>
	<b>V100 101 130</b>		<b>PISTON SEAL KIT</b>		<b>Includes pos. 6, 7, 9</b>

\* Not sold separately. Available only in kit or assembly described above or presented in separate part list.  
Read Details 2

Seals and O-rings are also available in Seal kit, see page 20.

## 5. SUCTION MANIFOLD



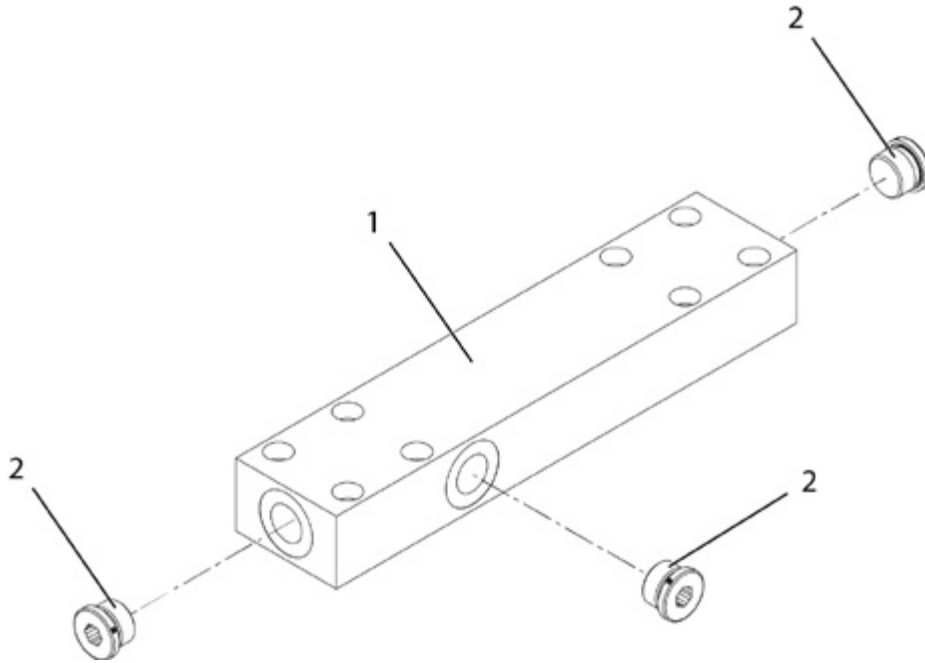
POS	PART NUMBER	QTY	DESCRIPTION	DETAILS	DETAILS 2
	<b>V100 102 416</b>		<b>SUCTION MANIFOLD KIT</b>		<b>Includes pos. 1-4</b>
1	*	1	SUCTION MANIFOLD	Al	
2	*	2	HEXAGON SOCKET CAP PLUG	R1 1/2	
3	*	1	PLUG	R2	
4	*	2	SEAL	D86 / d82	

POS	PART NUMBER	QTY	DESCRIPTION	DETAILS	DETAILS 2
	<b>V100 102 417</b>		<b>SUCTION MANIFOLD KIT M</b>		<b>Includes pos. 1-4</b>
1	*	1	SUCTION MANIFOLD	Al	
2	*	2	HEXAGON SOCKET CAP PLUG	R1 1/2	Stainless steel
3	*	1	PLUG	R2	
4	*	2	SEAL	D86 / d82 - L2,5	

\* Not sold separately. Available only in kit or assembly described above or presented in separate part list.  
Read Details 2

Seals are also available in Seal kit, see page 20.  
Plugs are also available in Plug kit, see page 22.

## 6. PRESSURE MANIFOLD



POS	PART NUMBER	QTY	DESCRIPTION	DETAILS	DETAILS 2
	<b>V100 102 396</b>		<b>PRESSURE MANIFOLD KIT</b>		<b>Includes pos. 1-2</b>
1	*	1	PRESSURE MANIFOLD	Al	
2	*	3	HEXAGON SOCKET CAP PLUG	R3/4	

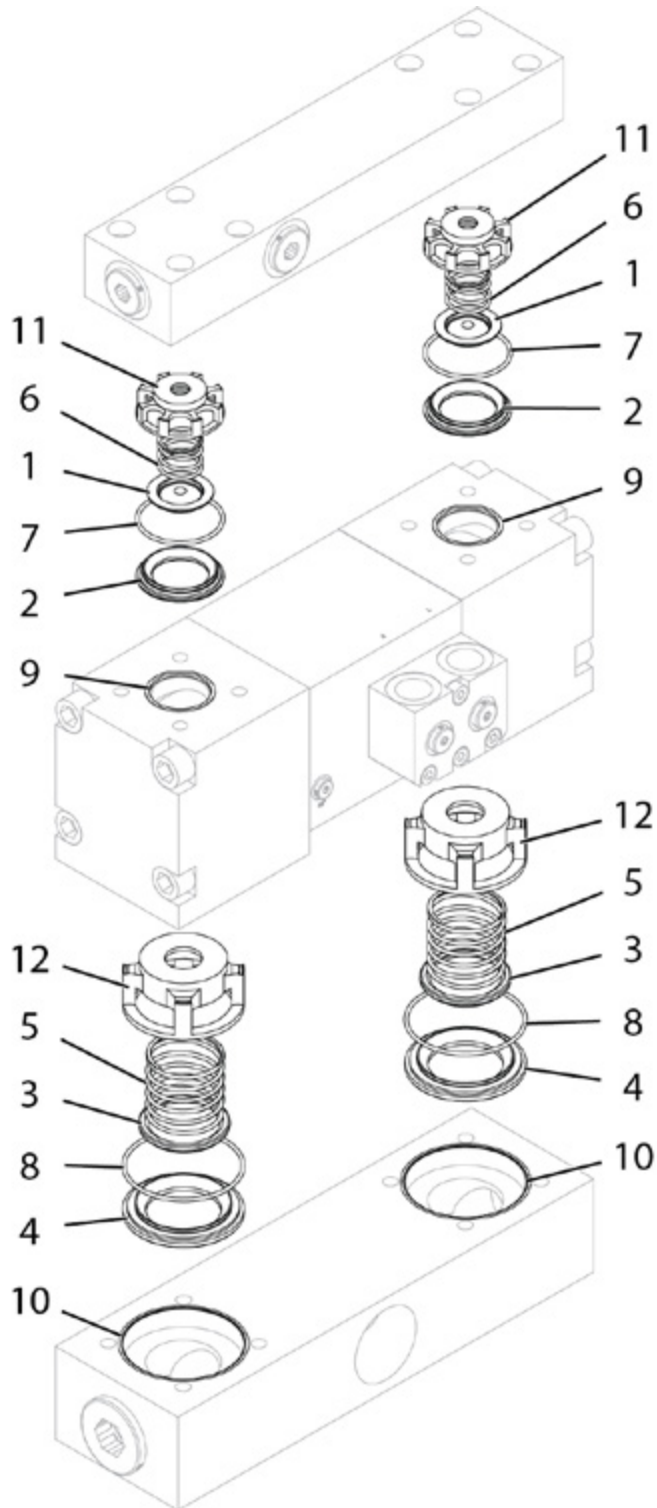
POS	PART NUMBER	QTY	DESCRIPTION	DETAILS	DETAILS 2
	<b>V100 102 397</b>		<b>PRESSURE MANIFOLD KIT AIS</b>		<b>Includes pos. 1-2</b>
1	*	1	PRESSURE MANIFOLD	AIS	
2	*	3	HEXAGON SOCKET CAP PLUG	R3/4	Stainless Steel

POS	PART NUMBER	QTY	DESCRIPTION	DETAILS	DETAILS 2
	<b>V100 102 398</b>		<b>PRESSURE MANIFOLD KIT M</b>		<b>Includes pos. 1-2</b>
1	*	1	PRESSURE MANIFOLD	AL	
2	*	3	HEXAGON SOCKET CAP PLUG	R3/4	Stainless Steel

\* Not sold separately. Available only in kit or assembly described above or presented in separate part list.  
Read Details 2

Plugs are also available in Plug kit, see page 22.

## 7. WATER VALVE



**!** NOTE! The pressure valve's (6) spring has less turns than the suction valve's (5) spring.

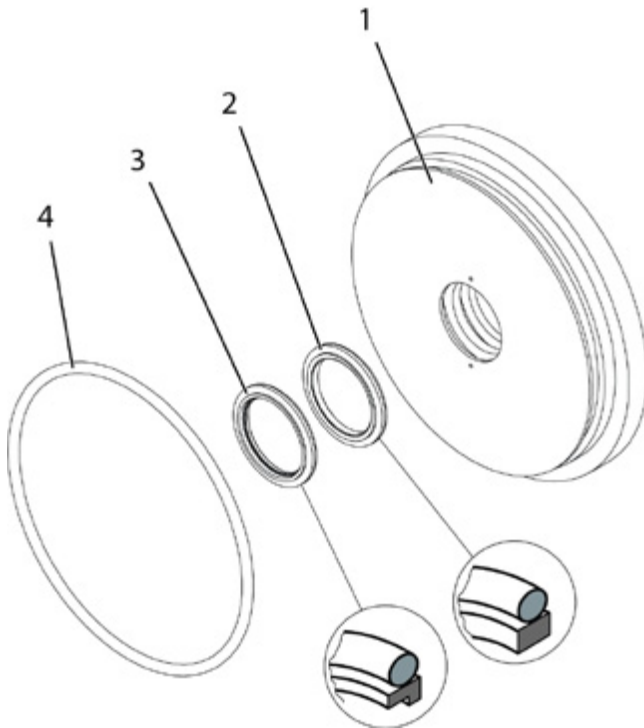
**SPARE PARTS**

POS	PART NUMBER	QTY	DESCRIPTION	DETAILS	DETAILS 2
	<b>V100 102 405</b>		<b>WATER VALVE KIT</b>		<b>Includes pos. 1-10</b>
1	*	2	WATER VALVE DISK	Pressure	
2	*	2	WATER VALVE SEAT	Pressure	
3	*	2	WATER VALVE DISK	Suction	
4	*	2	WATER VALVE SEAT	Suction	
5	*	2	SPRING	Suction	
6	*	2	SPRING	Pressure	
7	*	2	O-RING	53,64 x 2,62	
8	*	2	O-RING	75,87 x 2.62	
9	*	2	SEAL	D47 / d41	
10	*	2	SEAL	D86 / d82	
11	V100 102 430	1	WATER VALVE CAP	Pressure	
12	V100 102 432	1	WATER VALVE CAP	Suction	

\* Not sold separately. Available only in kit or assembly described above or presented in separate part list.  
Read Details 2

O-rings and seals are also available in Seal kit, see page 20.

## 8. SEAL FLANGE KIT



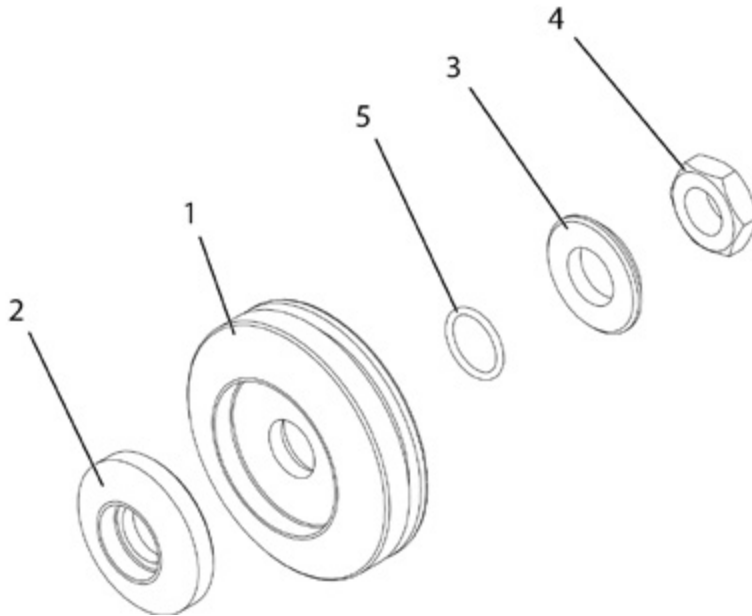
POS	PART NUMBER	QTY	DESCRIPTION	DETAILS	DETAILS 2
	<b>V100 102 414</b>		<b>SEAL FLANGE KIT</b>		<b>Includes pos. 1-4</b>
1	V100 102 415	1	SEAL FLANGE	D90 / d22	
2	*	1	ROD SEAL	2T	
3	*	1	ROD SEAL	1T	
4	*	1	O-RING	84,5 x 3	

\* Not sold separately. Available only in kit or assembly described above or presented in separate part list.  
Read Details 2

O-ring and seals are also available in Seal kit, see page 20.



## 9. SECONDARY PISTON KIT

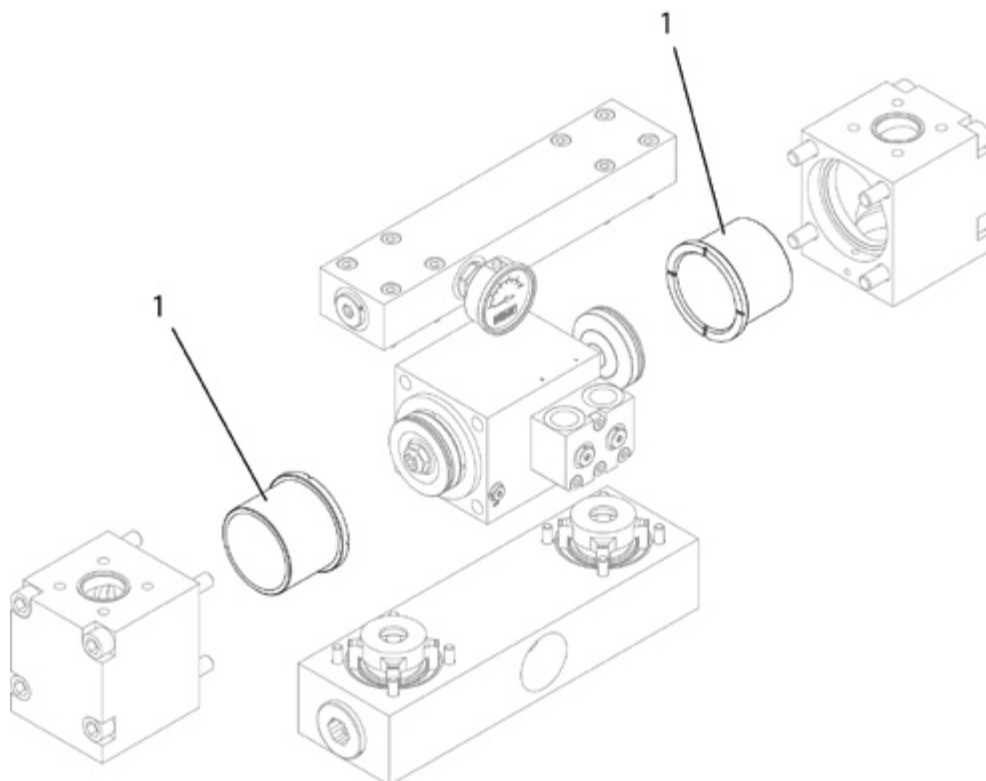


POS	PART NUMBER	QTY	DESCRIPTION	DETAILS	DETAILS 2
	<b>V100 102 425</b>		<b>SECONDARY PISTON KIT</b>		<b>Includes pos. 1-5</b>
1	*	1	SECONDARY PISTON	D75-20	
2	*	1	SUPPORT PLATE	22/45	
3	*	1	WASHER	D34 / d13	
4	*	1	THIN HEX NUT	M16	Stainless steel
5	*	1	O-RING	17 x 2	

\* Not sold separately. Available only in kit or assembly described above or presented in separate part list.  
Read Details 2

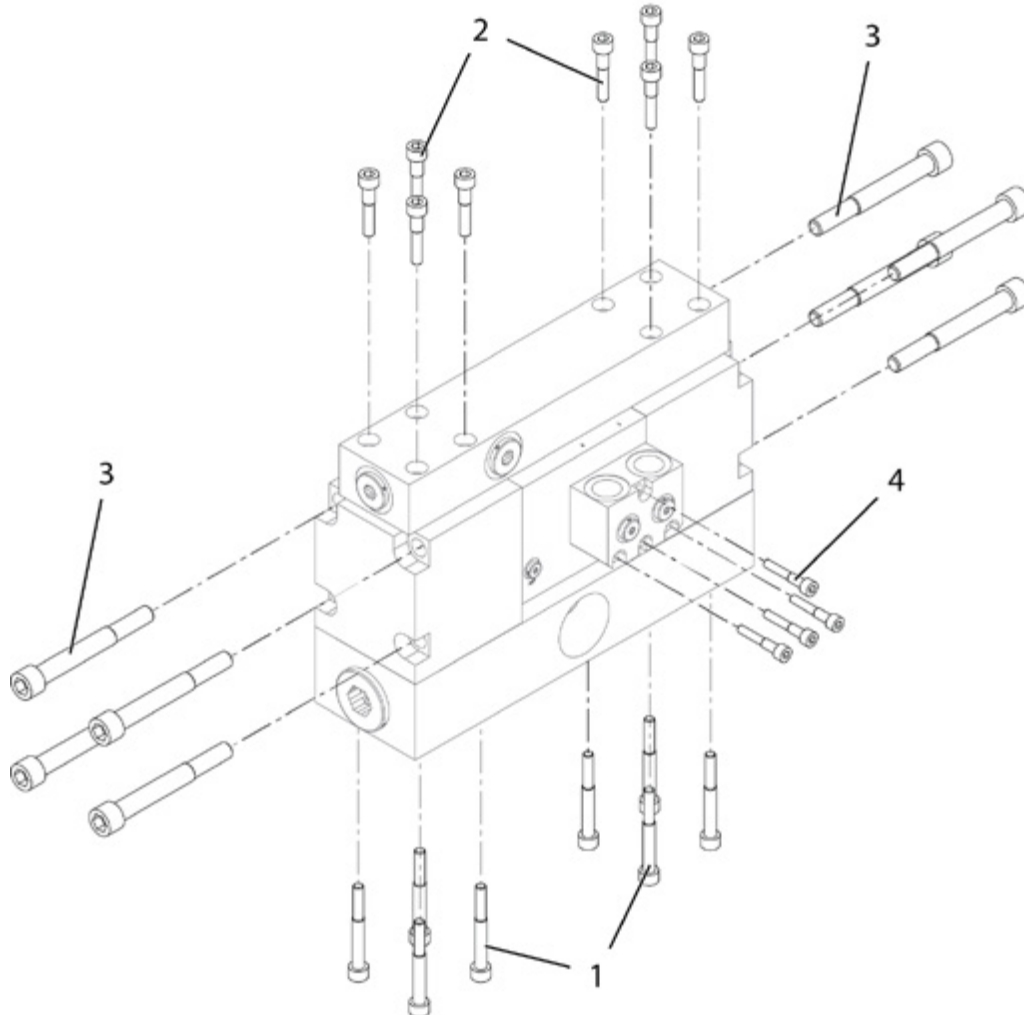
O-ring is also available in Seal kit, see page 20.

## 10. WATER CYLINDER



POS	PART NUMBER	QTY	DESCRIPTION	DETAILS	DETAILS 2
1	V100 102 395	1	WATER CYLINDER	D75	

## 11. SCREW KIT



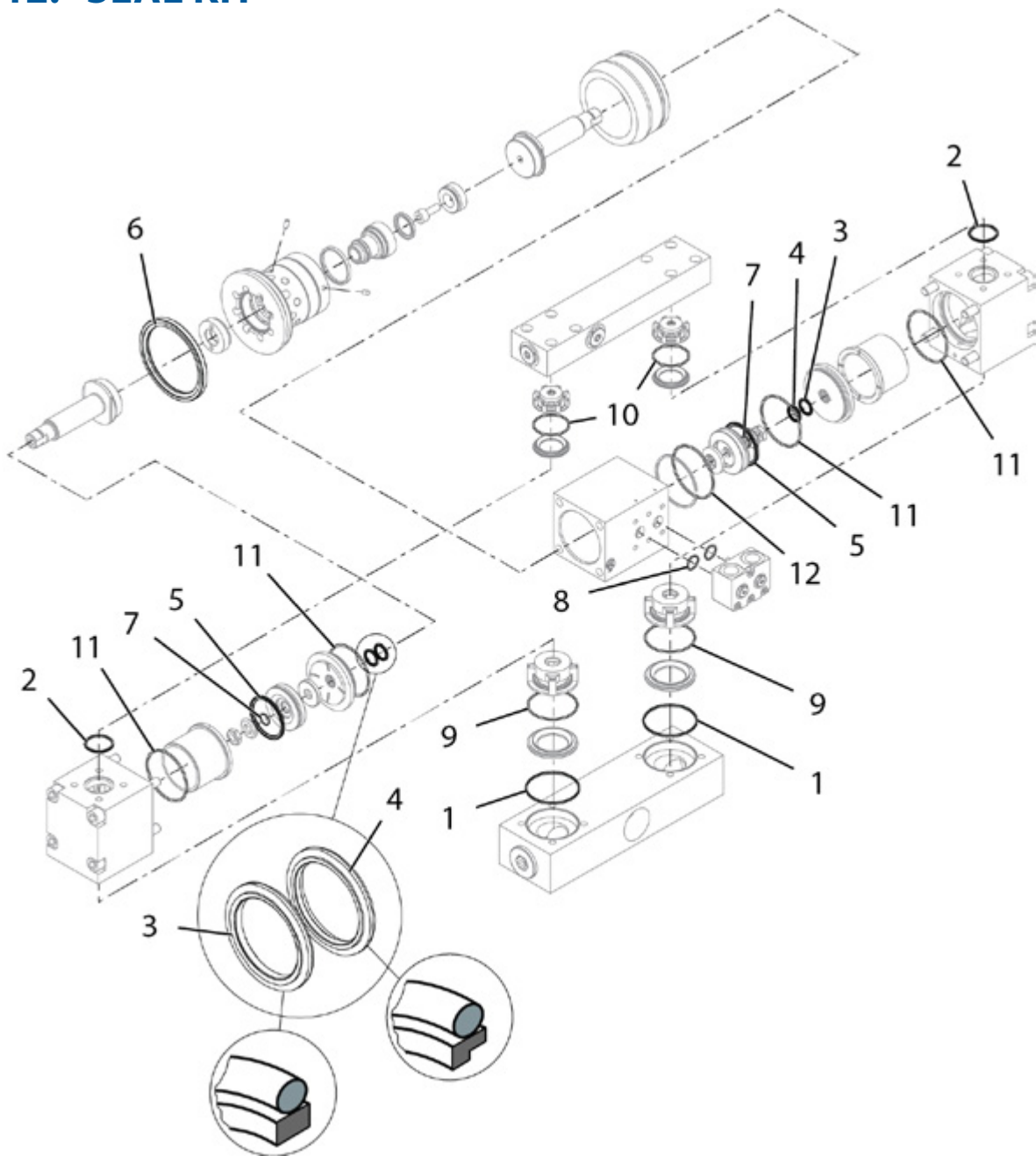
POS	PART NUMBER	QTY	DESCRIPTION	DETAILS	DETAILS 2
	<b>V100 102 408</b>		<b>SCREW KIT</b>		<b>Includes pos. 1-4</b>
1	*	8	HEXAGON SOCKET CAP SCREW	M10 x 80	
2	*	8	HEXAGON SOCKET CAP SCREW	M10 x 50	
3	*	8	HEXAGON SOCKET CAP SCREW	M16 x 130	
4	*	4	HEXAGON SOCKET CAP SCREW	M8x 45	

POS	PART NUMBER	QTY	DESCRIPTION	DETAILS	DETAILS 2
	<b>V100 102 407</b>		<b>SCREW KIT M</b>		<b>Includes pos. 1-4</b>
1	*	8	HEXAGON SOCKET CAP SCREW	M10 x 80	Stainless steel
2	*	8	HEXAGON SOCKET CAP SCREW	M10 x 50	Stainless steel
3	*	8	HEXAGON SOCKET CAP SCREW	M16 x 130	Stainless steel
4	*	4	HEXAGON SOCKET CAP SCREW	M8x 45	Stainless steel

\* Not sold separately. Available only in kit or assembly described above or presented in separate part list.  
Read Details 2

**NOTE!** Tightening torques can be found in user manual.

## 12. SEAL KIT

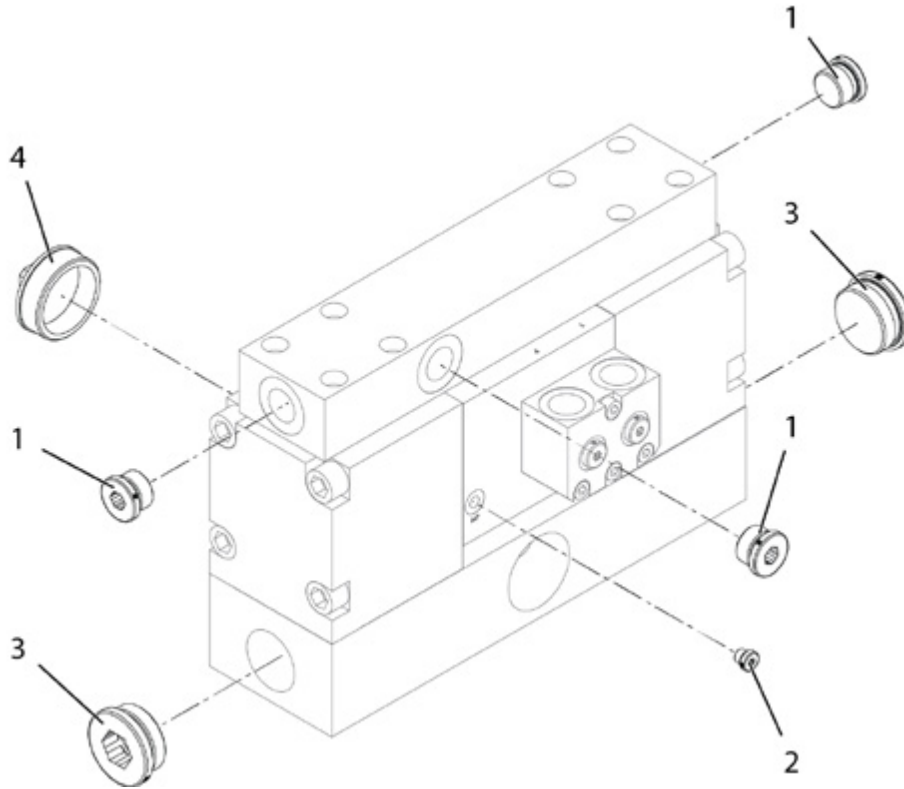


**SPARE PARTS**

POS	PART NUMBER	QTY	DESCRIPTION	DETAILS	DETAILS 2
	<b>V100 102 400</b>		<b>SEAL KIT</b>		<b>Includes pos. 1-12</b>
1	*	2	SEAL	D86 / d82	
2	*	2	SEAL	D47 / d41	
3	*	2	ROD SEAL	2T	Includes o-ring
4	*	2	ROD SEAL	1T	Includes o-ring
5	*	2	PISTON SEAL ASSEMBLY	M75	
6	*	1	PISTON SEAL ASSEMBLY	M90	
7	*	2	O-RING	17 x 2	
8	*	2	O-RING	21,3 x 2,4	
9	*	2	O-RING	75,87 x 2,62	
10	*	2	O-RING	53,64 x 2,62	
11	*	4	O-RING	84,5 x 3	
12	*	1	O-RING	87 x 3	

\* Not sold separately. Available only in kit or assembly described above or presented in separate part list.  
Read Details 2

### 13. PLUG KIT

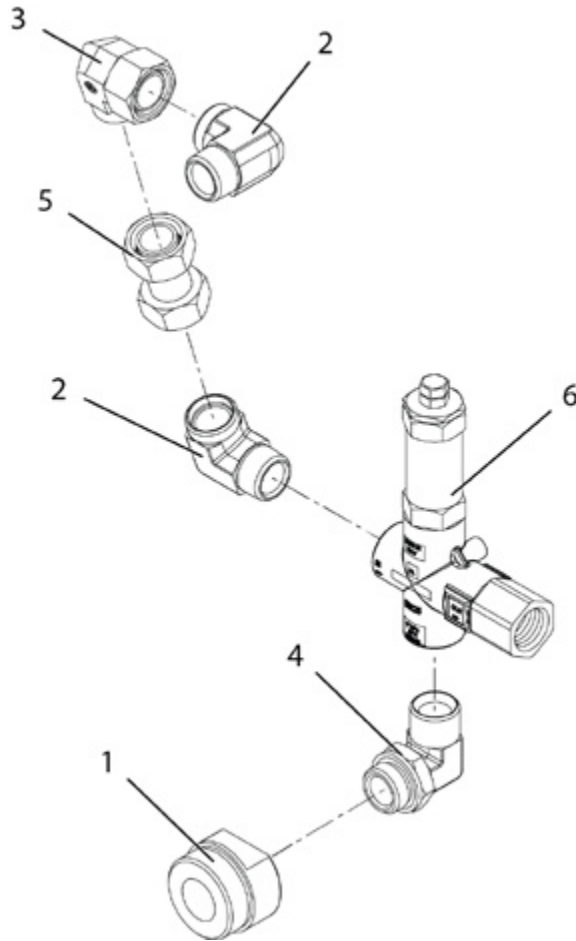


POS	PART NUMBER	QTY	DESCRIPTION	DETAILS	DETAILS 2
	<b>V100 102 402</b>		<b>PLUG KIT</b>		<b>Includes pos. 1-4</b>
1	*	3	HEXAGON SOCKET CAP PLUG	R3/4	
2	*	1	HEXAGON SOCKET CAP PLUG	R1/8	
3	*	2	HEXAGON SOCKET CAP PLUG	R1 1/2	
4	*	1	PLUG	R2	

POS	PART NUMBER	QTY	DESCRIPTION	DETAILS	DETAILS 2
	<b>V100 102 403</b>		<b>PLUG KIT M</b>		<b>Includes pos. 1-4</b>
1	*	3	HEXAGON SOCKET CAP PLUG	R3/4	Stainless steel
2	*	1	HEXAGON SOCKET CAP PLUG	R1/8	Stainless steel
3	*	2	HEXAGON SOCKET CAP PLUG	R1 1/2	Stainless steel
4	*	1	PLUG	R2	

\* Not sold separately. Available only in kit or assembly described above or presented in separate part list.  
Read Details 2

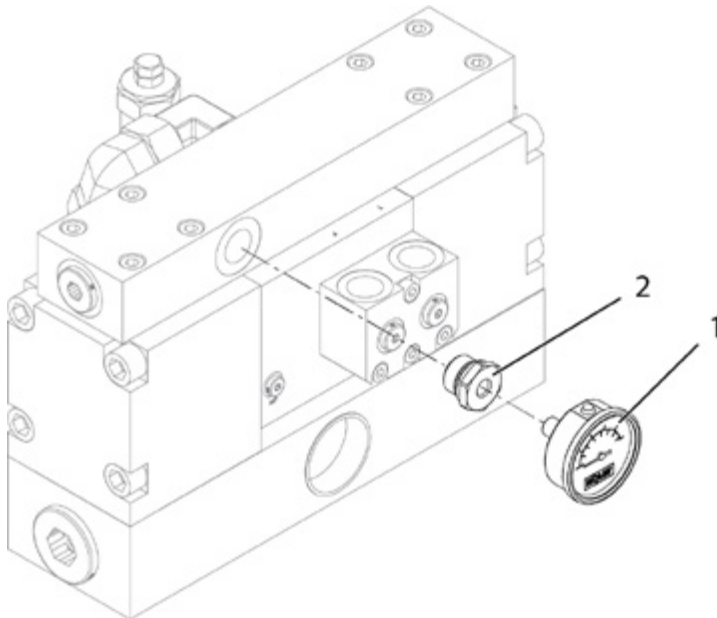
## 14. UNLOADER VALVE



POS	PART NUMBER	QTY	DESCRIPTION	DETAILS	DETAILS 2
	<b>V100 102 380</b>		<b>UNLOADER VALVE KIT</b>		<b>Includes pos. 1-6</b>
1	*	1	ADAPTER FITTING	R1s - R2u	
2	*	2	ELBOW MALE COUPLING	28L RK1	
3	*	1	ADJUSTABLE ELBOW COUPLING MALE	28L	
4	*	1	90° ADJUSTABLE ADAPTER	R1	
5	*	1	PIPE ASSEMBLY	Pressure	
6	V100 102 390	1	UNLOADER VALVE	180 bar	
	<b>V100 102 385</b>		<b>UNLOADER VALVE INSTALLATION KIT</b>		<b>Includes pos. 1-5</b>
	<b>V100 102 850</b>		<b>UNLOADER VALVE REPAIR KIT</b>	Check valve	

\* Not sold separately. Available only in kit or assembly described above or presented in separate part list.  
Read Details 2

## 15. PRESSURE GAUGE KIT



POS	PART NUMBER	QTY	DESCRIPTION	DETAILS	DETAILS 2
	<b>V100 102 412</b>		<b>PRESSURE GAUGE KIT</b>		<b>Includes pos. 1-2</b>
1	V100 102 410	1	PRESSURE GAUGE	Back mount	
2	*	1	REDUCTION	R3/4	

\* Not sold separately. Available only in kit or assembly described above or presented in separate part list.  
Read Details 2





**HPW 130 /180-140**

**SPARE PARTS**



**HPW 130 /180-140**

**SPARE PARTS**



**HPW 130 /180-140**

**SPARE PARTS**