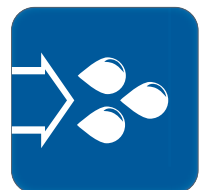




SPARE PARTS
HIGH PRESSURE WATER PUMPS



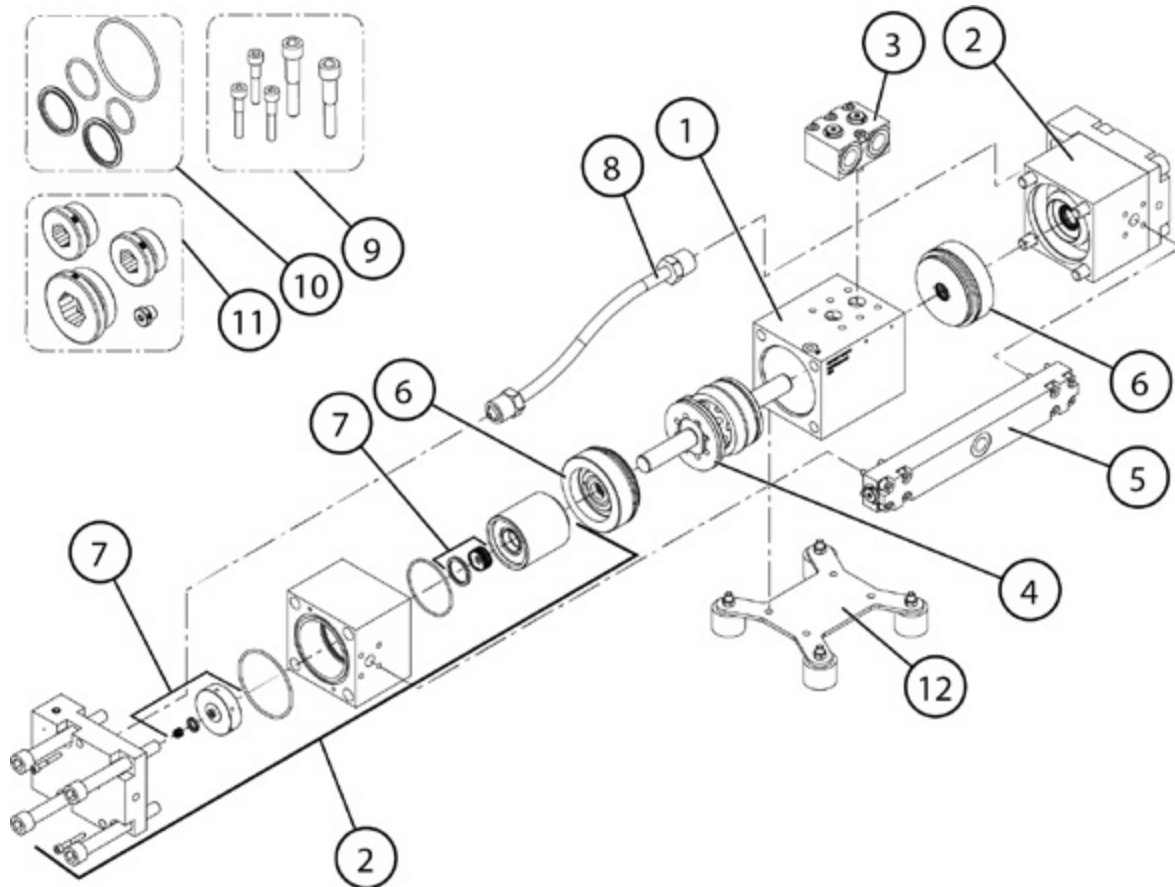
HPW 1600 /15-140

HPW1600_15-140_Spare_Parts_MEA-PL1.0

SPARE PARTS

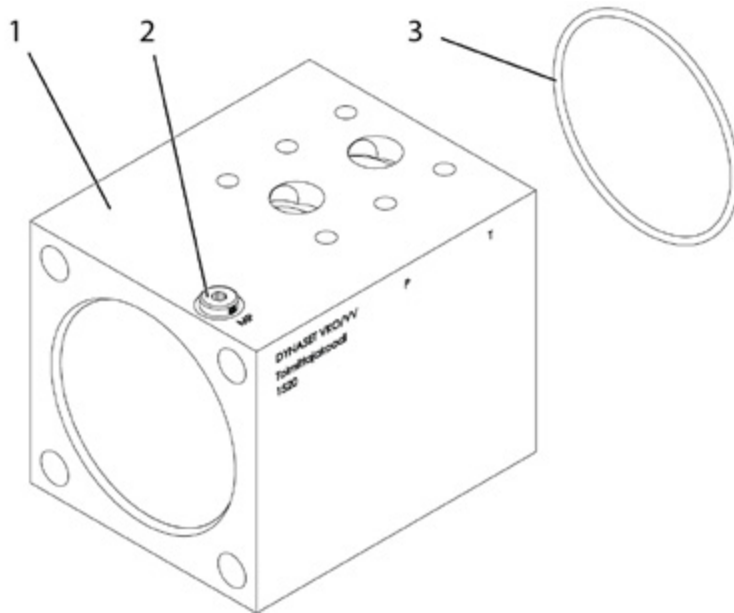
MAIN COMPONENTS	3
1. CENTER BODY	4
2. HEAD	5
3. PT BLOCK	6
4. PISTON	8
5. SUCTION MANIFOLD	10
6. SEAL FLANGE	11
7. WATER VALVE KIT	12
8. PRESSURE PIPE	13
9. SCREW KIT	14
10. SEAL KIT	15
11. PLUG KIT	16
12. MOUNTING PLATE KIT	17

MAIN COMPONENTS



POS	PART NUMBER	QTY	DESCRIPTION	DETAILS	DETAILS 2
1		1	CENTER BODY		See separate part list
2		1	HEAD		See separate part list
3		1	PT BLOCK		See separate part list
4		1	PISTON ASSEMBLY		See separate part list
5		1	SUCTION MANIFOLD		See separate part list
6		2	SEAL FLANGE		See separate part list
7		2	WATER VALVE KIT		See separate part list
8		1	PRESSURE PIPE		See separate part list
9			SCREW KIT		See separate part list
10			SEAL KIT		See separate part list
11			PLUG KIT		See separate part list
12		1	MOUNTING PLATE KIT		See separate part list

1. CENTER BODY



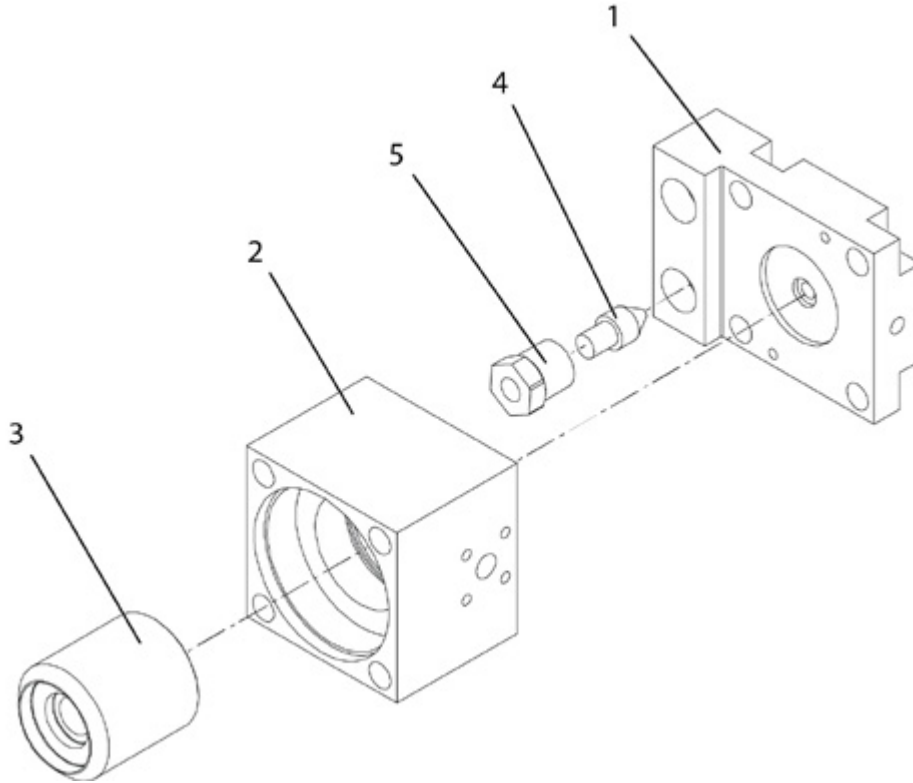
POS	PART NUMBER	QTY	DESCRIPTION	DETAILS	DETAILS 2
1	V100 101 510	1	CENTER BODY	D90	Includes pos. 2-3
2	*	1	HEXAGON SOCKET CAP PLUG	R1/8	
3	*	1	O-RING	87 x 3	

POS	PART NUMBER	QTY	DESCRIPTION	DETAILS	DETAILS 2
1	V100 101 530	1	CENTER BODY AIS	D90 - Stainless Steel	Includes pos. 2-3
2	*	1	HEXAGON SOCKET CAP PLUG	R1/8	Stainless steel
3	*	1	O-RING	87 x 3	

* Not sold separately. Available only in kit or assembly described above or presented in separate part list.
Read Details 2

O-rings are also available in Seal kit, see page 15.
Plugs are also available in Plug kit, see page 16.

2. HEAD

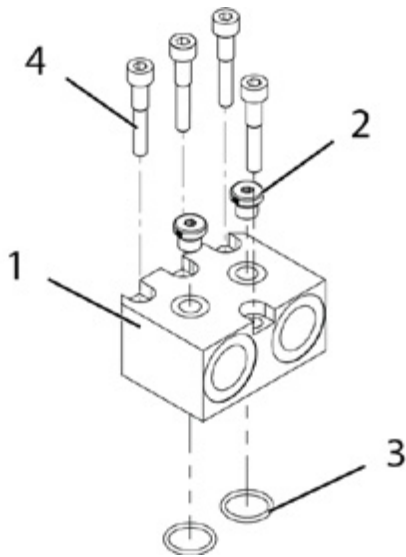


POS	PART NUMBER	QTY	DESCRIPTION	DETAILS	DETAILS 2
1	V100 102 695	1	HEAD		
2	V100 102 685	1	CYLINDER HOUSING		
2	V100 102 690	1	CYLINDER HOUSING - AIS		
3	V100 102 680	1	WATER CYLINDER		
	V100 102 670		PLUG		Includes pos. 4-5
4	*	1	GLAND NUT		Stainless steel
5	*	1	PLUG		Stainless steel

* Not sold separately. Available only in kit or assembly described above or presented in separate part list.
Read Details 2

Plugs are also available in Plug kit, see page 16.

3. PT BLOCK

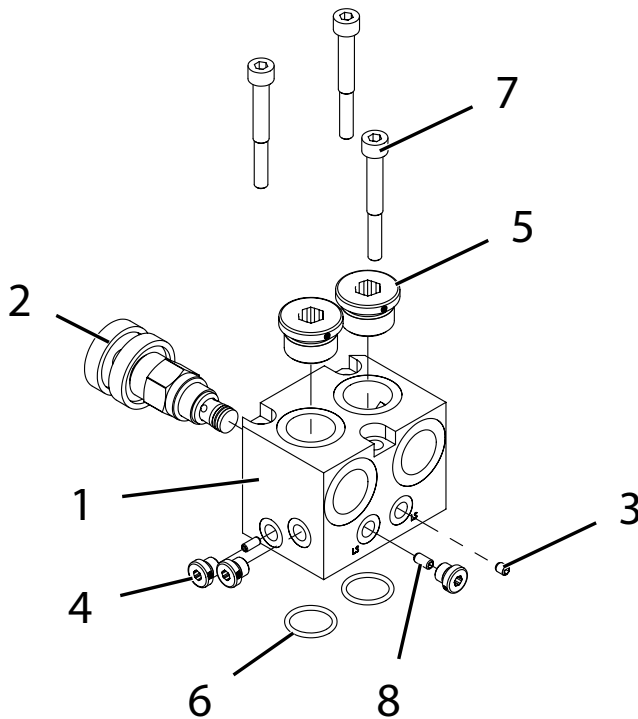


POS	PART NUMBER	QTY	DESCRIPTION	DETAILS	DETAILS 2
	V100 100 710		PT BLOCK - ST		Includes pos. 1-4
1	*	1	PT BLOCK	R3/4 - St	Steel
2	*	2	HEXAGON SOCKET CAP PLUG	R1/4	
3	*	2	O-RING	21,3 x 2,4	
4	*	4	HEXAGON SOCKET CAP SCREW	M8x45	

POS	PART NUMBER	QTY	DESCRIPTION	DETAILS	DETAILS 2
	V100 100 720		PT BLOCK - AIS		Includes pos. 1-4
1	*	1	PT BLOCK	R3/4 - AIS	Stainless Steel
2	*	2	HEXAGON SOCKET CAP PLUG	R1/4	Stainless Steel
3	*	2	O-RING	21,3 x 2,4	
4	*	4	HEXAGON SOCKET CAP SCREW	M8x45	Stainless Steel

* Not sold separately. Available only in kit or assembly described above or presented in separate part list.
Read Details 2

O-rings are also available in Seal kit, see page 15.
Screws are also available in Screw kit, see page 14.

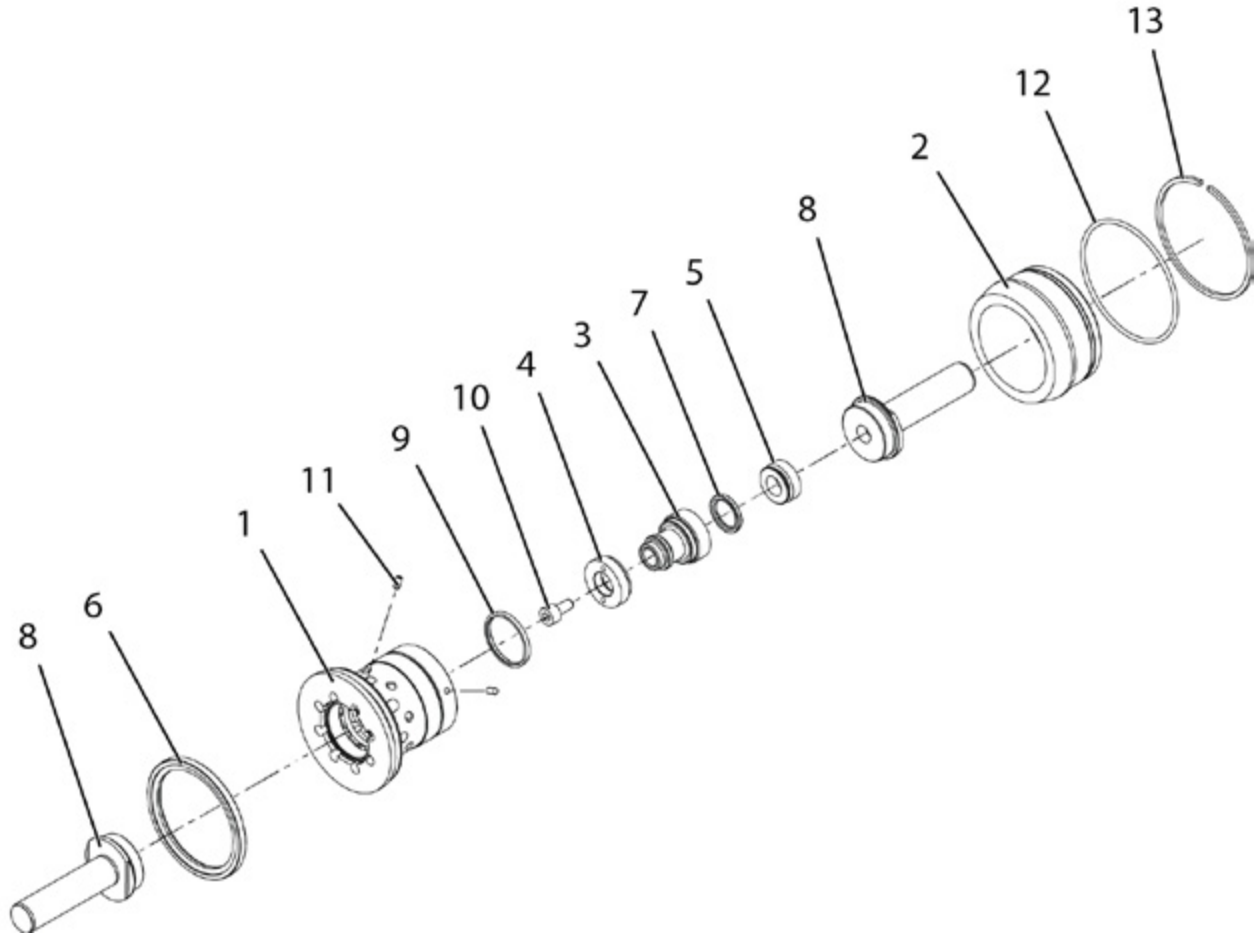


POS	PART NUMBER	QTY	DESCRIPTION	DETAILS	DETAILS 2
	V100 100 730		PT BLOCK - LS		Includes pos. 1-8
1	*	1	PT BLOCK	R3/4 - LS - St	
2	*	1	PRESSURE RELIEF VALVE CARTRIDGE	35-350 bar	
3	*	1	ORIFICE	M6	
4	*	3	HEXAGON SOCKET CAP PLUG	R1/8	
5	*	2	HEXAGON SOCKET CAP PLUG	R3/4	
6	*	2	O-RING	21,3 x 2,4	
7	*	3	HEXAGON SOCKET CAP SCREW	M8x65	
8	*	2	SET SCREW	M4	

* Not sold separately. Available only in kit or assembly described above or presented in separate part list.
Read Details 2

O-rings are also available in Seal kit, see page 15.
Screws are also available in Screw kit, see page 14.

4. PISTON



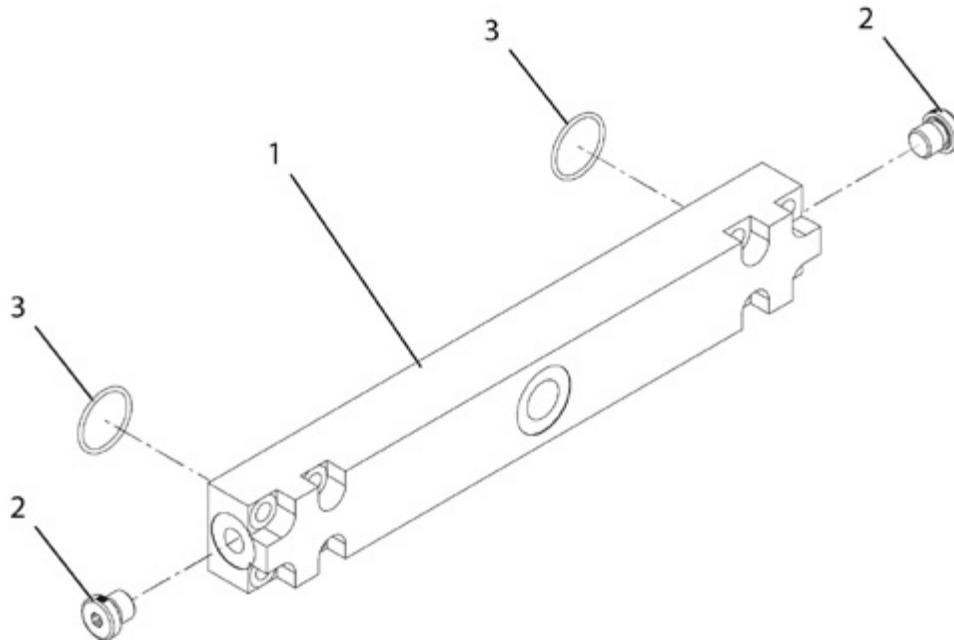
SPARE PARTS

POS	PART NUMBER	QTY	DESCRIPTION	DETAILS	DETAILS 2
	V100 102 635		PISTON KIT	Piston kit includes 2 Secondary pistons	Includes pos. 1-13
1	*	1	HYDRAULIC PISTON	D90 / d65,5	
2	*	1	CYLINDER LINER	D65,5	
3	*	1	VALVE SPOOL	D36 - 41,5	
4	*	1	VALVE SEAT	D35,5-10,5	
5	*	1	REVERSAL VALVE GUIDE	D28,5 - L12	
6	*	1	PISTON SEAL ASSEMBLY	M90	
7	*	1	PISTON SEAL ASSEMBLY	M28,5	
8	V100 102 640	1	SECONDARY PISTON		
9	*	1	ROD SEAL	36/41	
10	*	1	HEXAGON SOCKET CAP SCREW	M8 x 20	
11	*	2	SET SCREW	M5 x 10	
12	*	1	O-RING	87 x 3	
13	*	1	LOCK RING	85 x 2,5	
	V100 102 630		HYDRAULIC PISTON KIT		Includes pos. 1-4, 6, 9, 12-13
	V100 102 529		REVERSAL VALVE GUIDE KIT		Includes pos. 5, 7, 10
	V100 101 130		PISTON SEAL KIT		Includes pos. 6-7, 9

* Not sold separately. Available only in kit or assembly described above or presented in separate part list.
Read Details 2

Seals and O-rings are also available in Seal kit, see page 15.

5. SUCTION MANIFOLD



POS	PART NUMBER	QTY	DESCRIPTION	DETAILS	DETAILS 2
	V100 102 660		SUCTION MANIFOLD KIT		Includes pos. 1-3
1	*	1	SUCTION MANIFOLD	AI	
2	*	2	HEXAGON SOCKET CAP PLUG	R1/4	Stainless steel
3	*	2	O-RING	27 x 2	

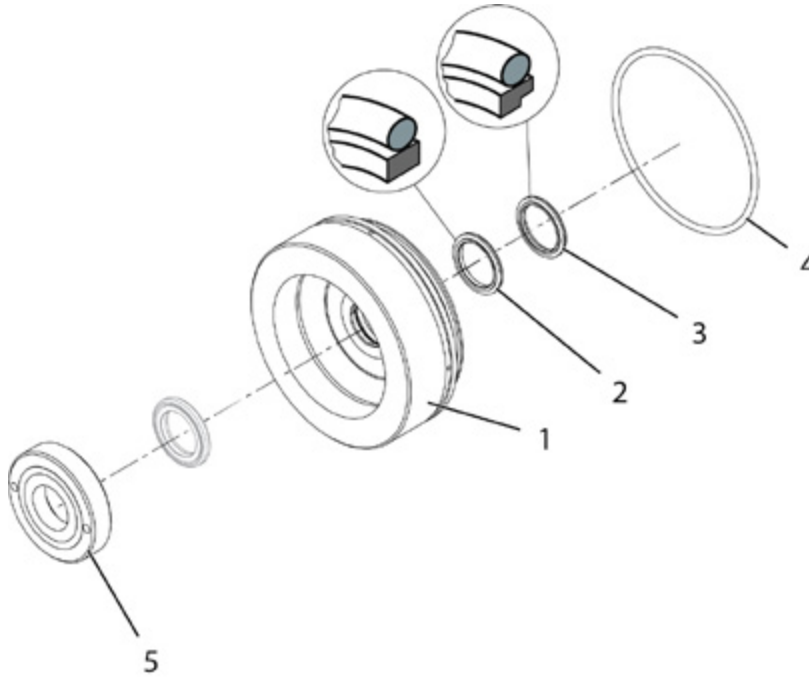
POS	PART NUMBER	QTY	DESCRIPTION	DETAILS	DETAILS 2
	V100 102 665		SUCTION MANIFOLD KIT - AIS		Includes pos. 1-3
1	*	1	SUCTION MANIFOLD	AIS	
2	*	1	HEXAGON SOCKET CAP PLUG	R1/4	Stainless steel
3	*	2	O-RING	27 x 2	

* Not sold separately. Available only in kit or assembly described above or presented in separate part list.
Read Details 2

O-rings are also available in Seal kit, see page 15.

Plugs are also available in Plug kit, see page 16.

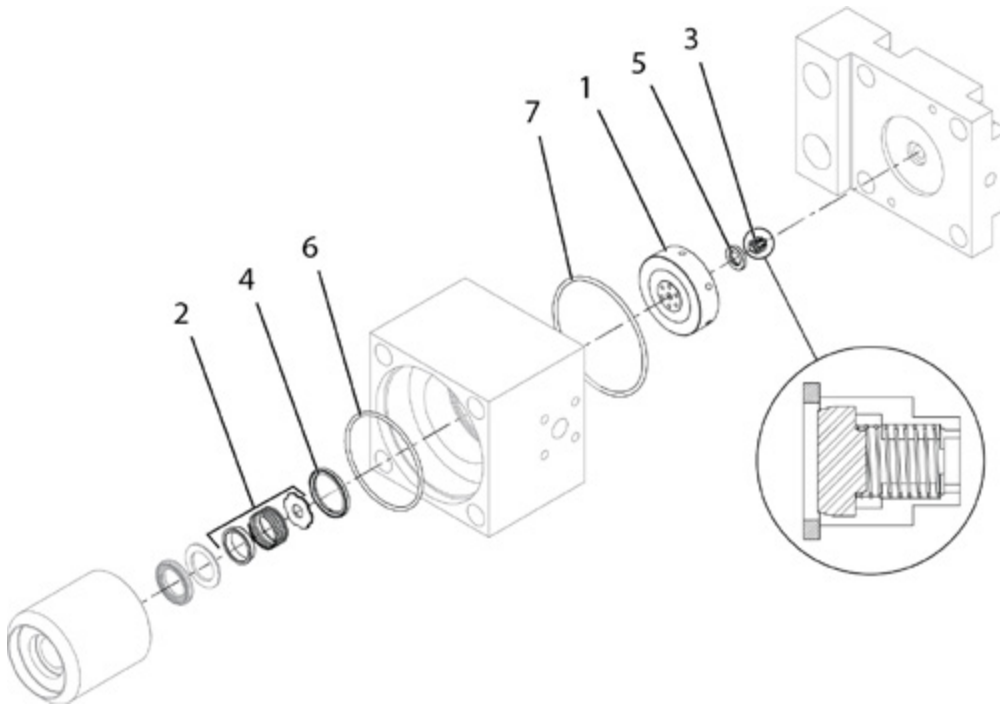
6. SEAL FLANGE



POS	PART NUMBER	QTY	DESCRIPTION	DETAILS	DETAILS 2
	V100 102 645		SEAL FLANGE KIT		Includes pos. 1-4
1	*	1	SEAL FLANGE		
2	*	1	ROD SEAL	2T	
3	*	1	ROD SEAL	1T	
4	*	1	O-RING	84,5 x 3	
POS	PART NUMBER	QTY	DESCRIPTION	DETAILS	DETAILS 2
5	V100 102 655	1	WATER SEAL FLANGE		

Seals and O-rings are also available in Seal kit, see page 15.

7. WATER VALVE KIT

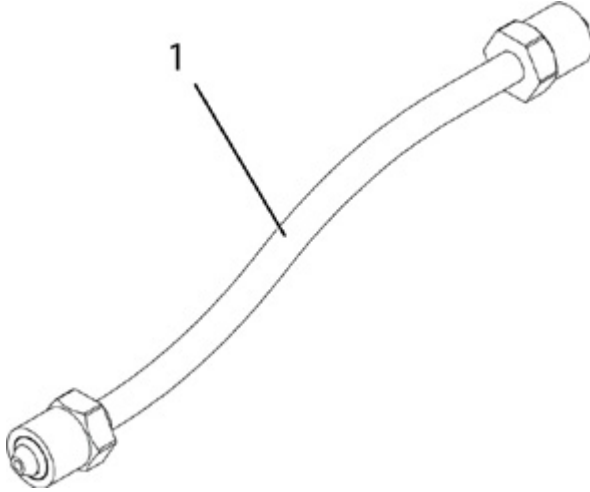


POS	PART NUMBER	QTY	DESCRIPTION	DETAILS	DETAILS 2
	V100 102 610		WATER VALVE KIT		Includes pos. 1-7
1	*	2	WATER VALVE SEAT	D60-12	
2	*	2	WATER VALVE ASSEMBLY	Suction	
3	*	2	WATER VALVE ASSEMBLY	Pressure	
4	*	2	FLANGE SEAL ASSEMBLY	D36,5	
5	*	2	FLANGE SEAL ASSEMBLY	D17,5	
6	*	2	O-RING	69,52 x 2,62	
7	*	2	O-RING	84,5 x 3	

* Not sold separately. Available only in kit or assembly described above or presented in separate part list.
Read Details 2

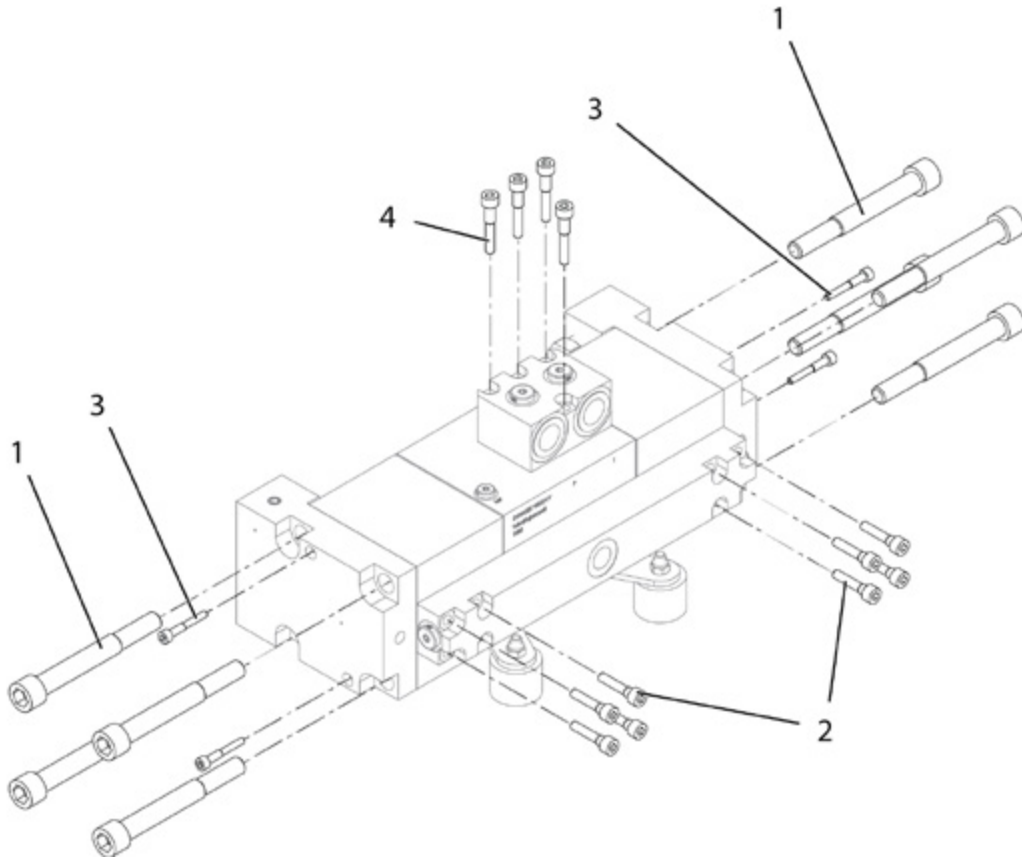
O-rings and seals are also available in Seal kit, see page 15.

8. PRESSURE PIPE



POS	PART NUMBER	QTY	DESCRIPTION	DETAILS	DETAILS 2
1	V100 102 675		PRESSURE PIPE ASSEMBLY		Includes gland nuts

9. SCREW KIT

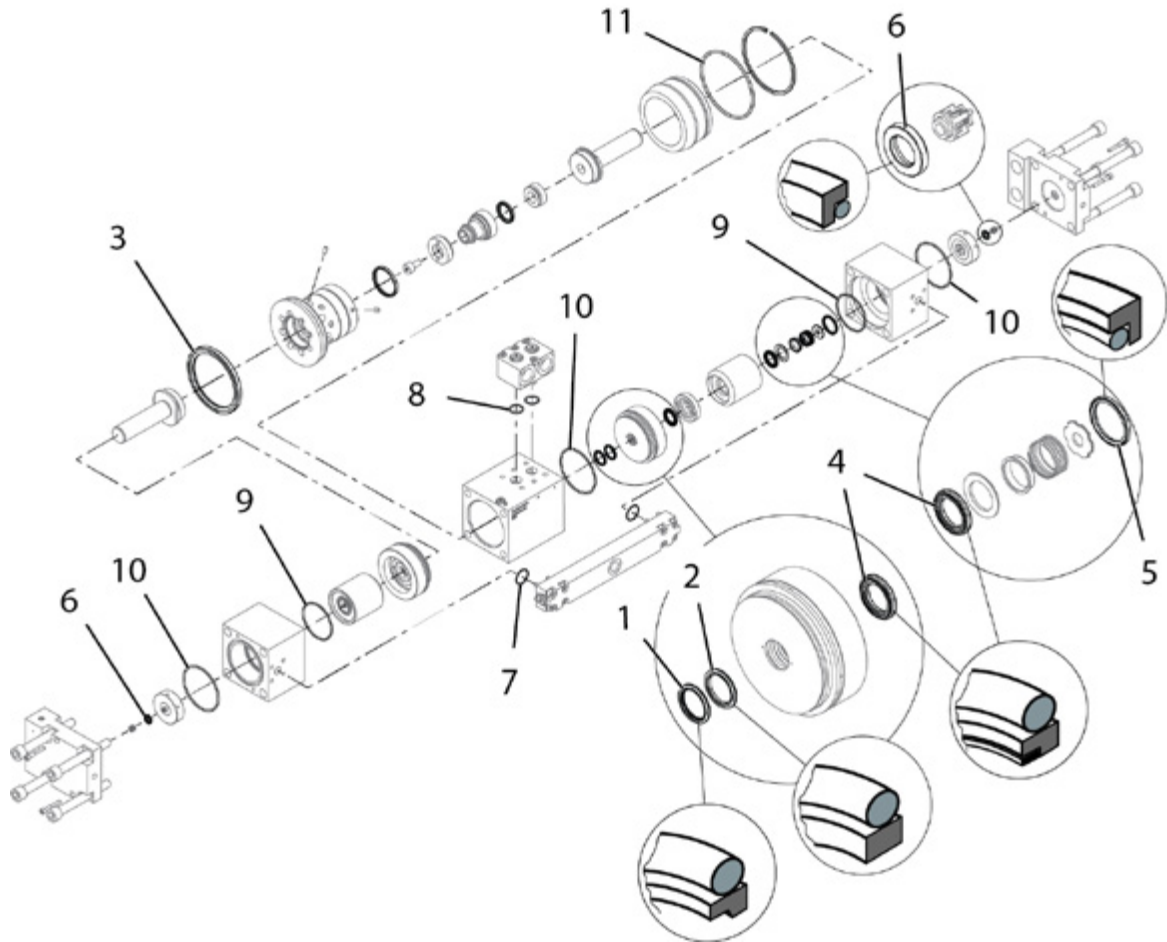


POS	PART NUMBER	QTY	DESCRIPTION	DETAILS	DETAILS 2
	V100 102 625		SCREW KIT - AIS		Includes pos 1-4
1	*	8	HEXAGON SOCKET CAP SCREW	M16 x 130	Stainless steel
2	*	8	HEXAGON SOCKET CAP SCREW	M8 x 35	Stainless steel
3	*	4	HEXAGON SOCKET CAP SCREW	M6 x 40	Stainless steel
4	*	4	HEXAGON SOCKET CAP SCREW	M8 x 45	Stainless steel

* Not sold separately. Available only in kit or assembly described above or presented in separate part list.
Read Details 2

! NOTE! Tightening torques can be found in user manual.

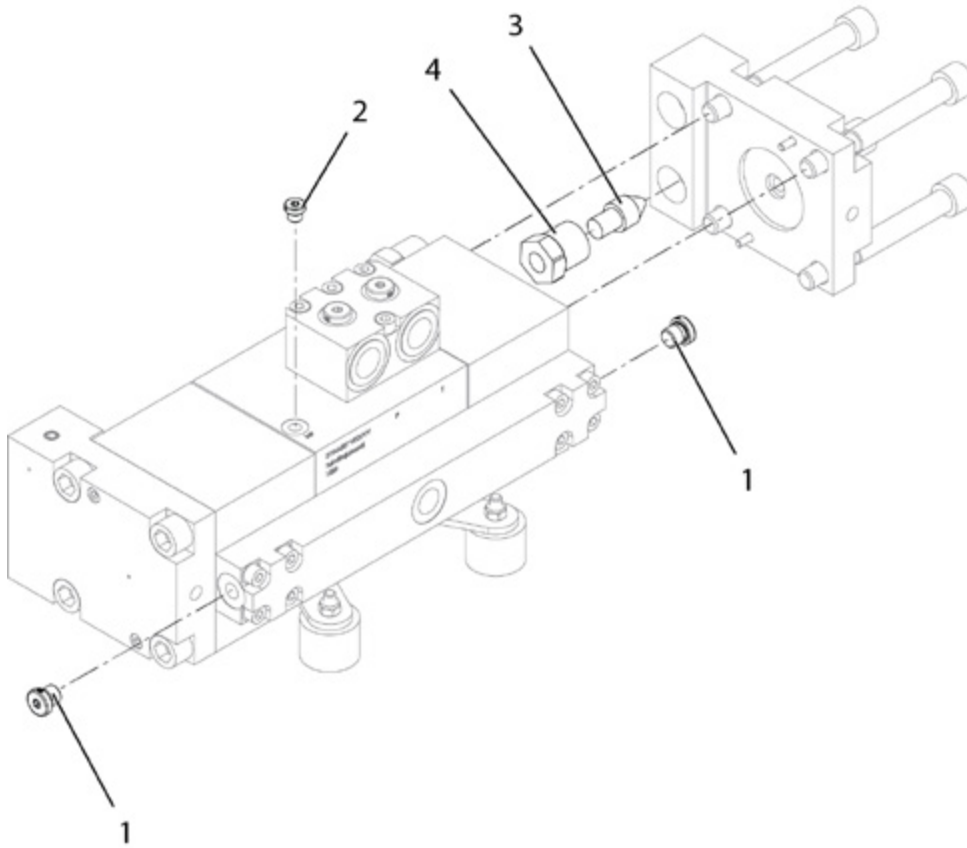
10. SEAL KIT



POS	PART NUMBER	QTY	DESCRIPTION	DETAILS	DETAILS 2
	V100 102 600		SEAL KIT		Includes pos. 1-11
1	*	2	ROD SEAL	2T	Includes o-ring
2	*	2	ROD SEAL	1T	Includes o-ring
3	*	1	PISTON SEAL ASSEMBLY	M90	
4	*	4	ROD SEAL	1T - Corner Reinforced	Includes o-ring
5	*	2	SEAL	D36,5	
6	*	2	SEAL	D17,5	
7	*	2	O-RING	27 x 2	
8	*	2	O-RING	21,3 x 2,4	
9	*	2	O-RING	69,52 x 2,62	
10	*	4	O-RING	84,5 x 3	
11	*	1	O-RING	87 x 3	
	V100 101 130		PISTON SEAL KIT		See page 8

* Not sold separately. Available only in kit or assembly described above or presented in separate part list.
Read Details 2

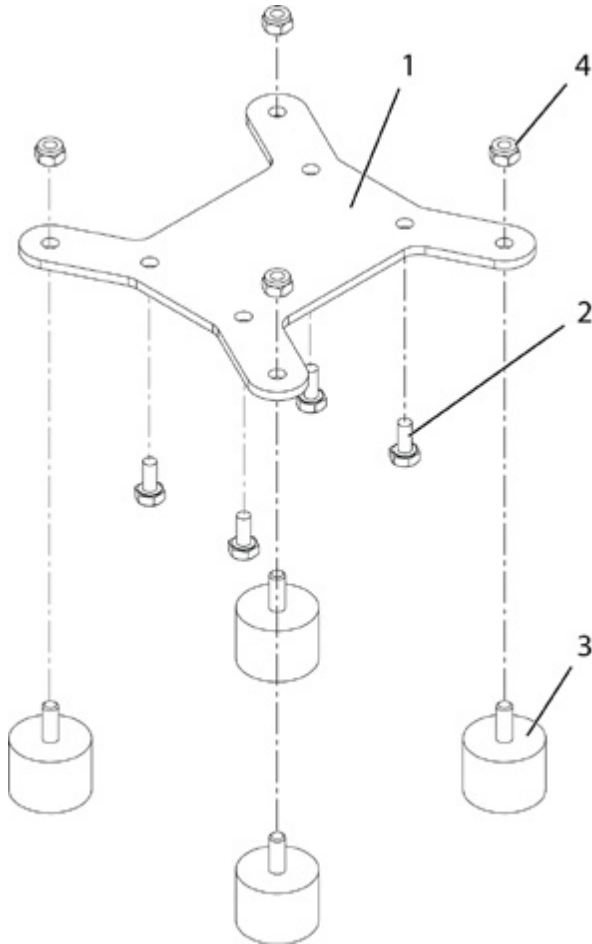
11. PLUG KIT



POS	PART NUMBER	QTY	DESCRIPTION	DETAILS	DETAILS 2
	V100 102 615		PLUG KIT		Includes pos. 1-4
1	*	2	HEXAGON SOCKET CAP PLUG	R1/4	Stainless steel
2	*	1	HEXAGON SOCKET CAP PLUG	R1/8	Stainless steel
3	*	1	PLUG	HP 9/16	Stainless steel
4	*	1	GLAND NUT	HP 9/16	Stainless steel
	V100 102 670		PLUG KIT	HP 9/16	Includes pos. 3-4

* Not sold separately. Available only in kit or assembly described above or presented in separate part list.
Read Details 2

12. MOUNTING PLATE KIT



POS	PART NUMBER	QTY	DESCRIPTION	DETAILS	DETAILS 2
	V100 102 274		MOUNTING PLATE KIT		Includes pos 1-4
1	*	1	MOUNTING PLATE		
2	*	4	HEXAGON SOCKET CAP SCREW	M8x16	
3	V100 100 000	1	RUBBER CUSHION KIT		Includes 4 rubber cushions
4	*	4	LOCK NUT	M8	

* Not sold separately. Available only in kit or assembly described above or presented in separate part list.
Read Details 2