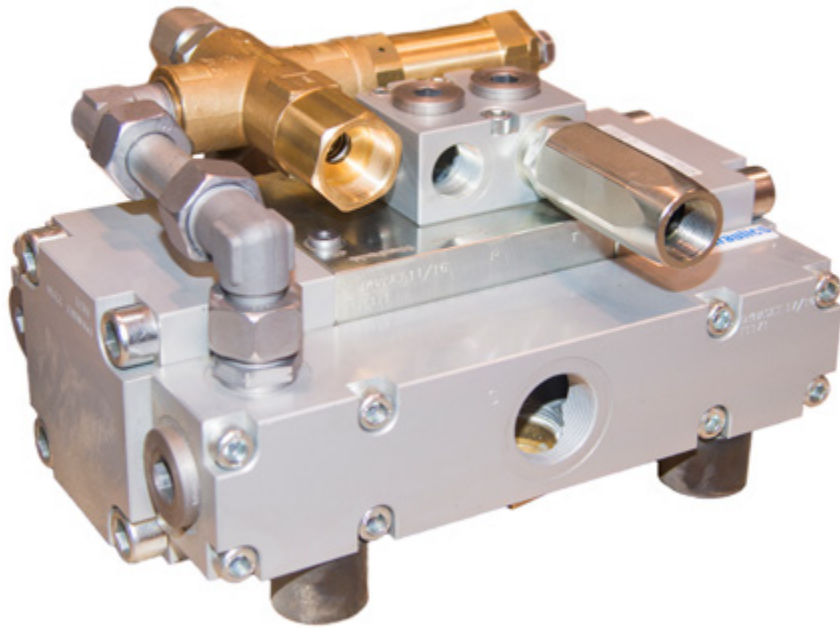
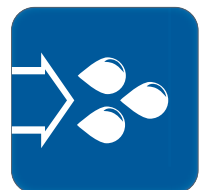




POWERED BY HYDRAULICS



SPARE PARTS HIGH PRESSURE WATER PUMPS



HPW 180 /90-115

HPW180_90-115_Spare_Parts_MEA-PL1.0

Mobile Energy Australia
P: +61 3273 6803

39 Dulacca Street, Acacia Ridge QLD 4110 Australia
E: sales@mobileenergyaustralia.com.au

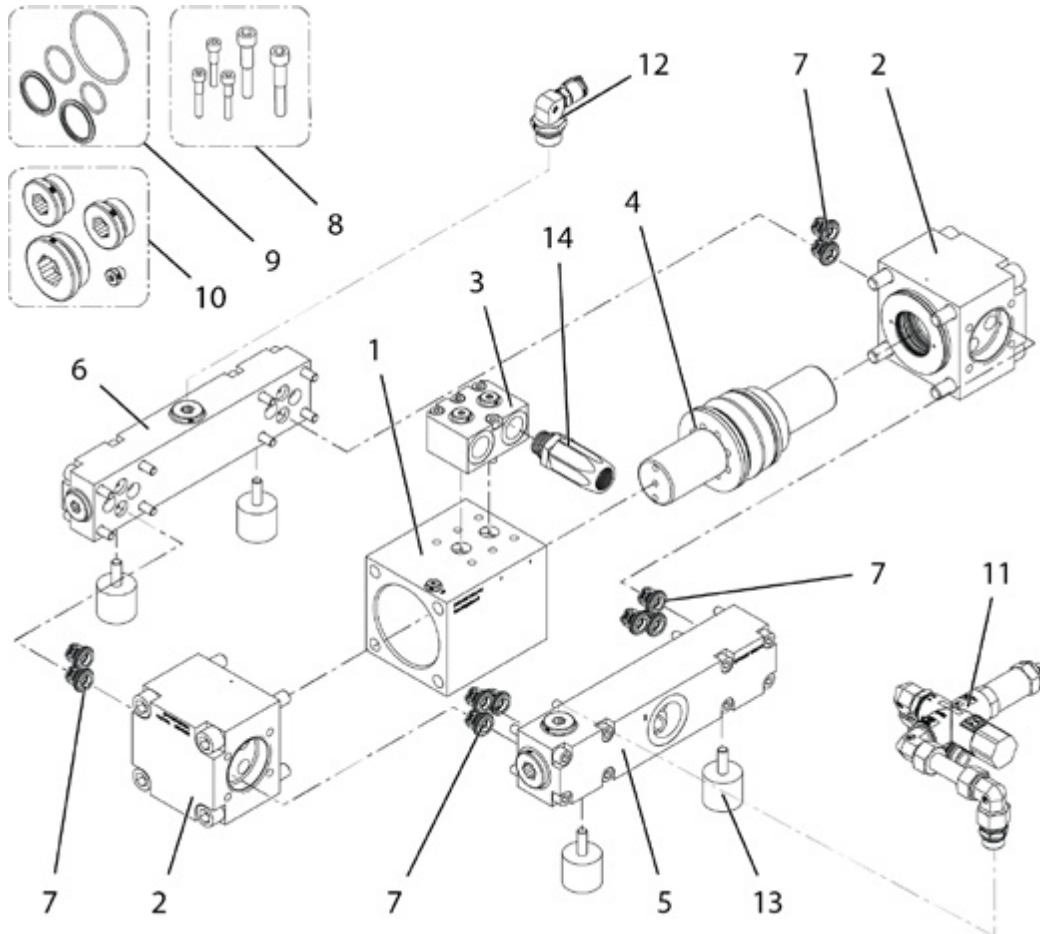
ABN 40 218 849 719
www.mobileenergyaustralia.com.au



SPARE PARTS

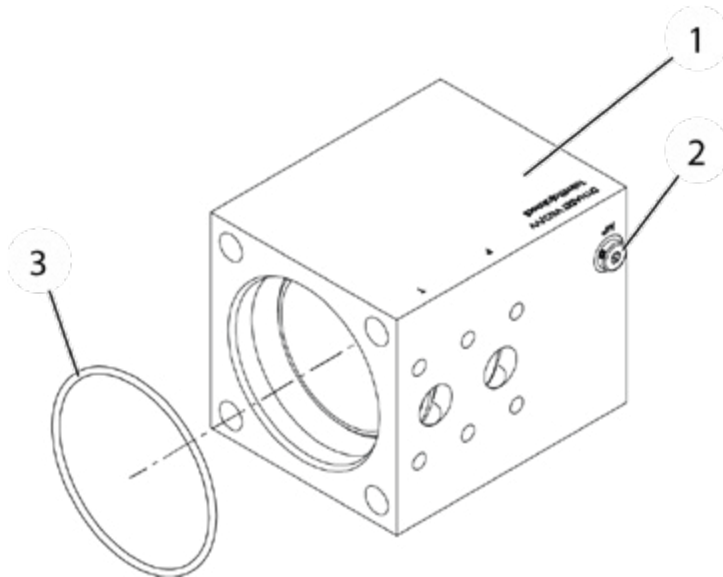
MAIN COMPONENTS	3
1. CENTER BODY	4
2. HEAD	5
3. PT BLOCK	6
4. PISTON	8
5. SUCTION MANIFOLD	9
6. PRESSURE MANIFOLD	10
7. WATER VALVE	11
8. SCREW KIT	12
9. SEAL KIT	14
10. PLUG KIT	16
11. UNLOADER VALVE	17

MAIN COMPONENTS



POS	PART NUMBER	QTY	DESCRIPTION	DETAILS	DETAILS 2
1		1	CENTER BODY		See separate part list
2		2	HEAD		See separate part list
3		1	PT BLOCK		See separate part list
4		1	PISTON		See separate part list
5		1	SUCTION MANIFOLD		See separate part list
6		1	PRESSURE MANIFOLD		See separate part list
7		1	WATER VALVE KIT		See separate part list
8			SCREW KIT		See separate part list
9			SEAL KIT		See separate part list
10			PLUG KIT		See separate part list
11			UNLOADER VALVE		See separate part list
12	V100 101 620	1	PRESSURE MEASURE KIT		Panel mount
13	V100 100 002	1	RUBBER CUSHION KIT		Includes 4 cushions
14	V100 110 050	1	CHECK VALVE		

1. CENTER BODY



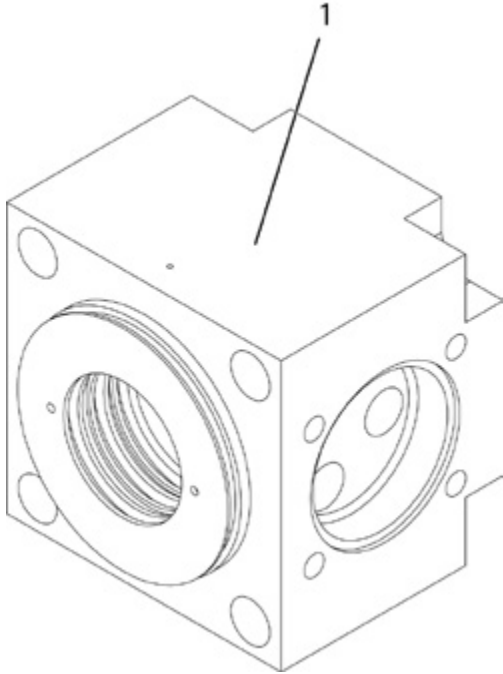
POS	PART NUMBER	QTY	DESCRIPTION	DETAILS	DETAILS 2
1	V100 101 500	1	CENTER BODY		Includes pos. 2-3
2	*	1	HEXAGON SOCKET CAP PLUG	R1/8	
3	*	1	O-RING	87 x 3	

POS	PART NUMBER	QTY	DESCRIPTION	DETAILS	DETAILS 2
1	V100 101 520	1	CENTER BODY AIS	Stainless steel	Includes pos. 2-3
2	*	1	HEXAGON SOCKET CAP PLUG	R1/8	Stainless steel
3	*	1	O-RING	87 x 3	

* Not sold separately. Available only in kit or assembly described above or presented in separate part list.
Read Details 2

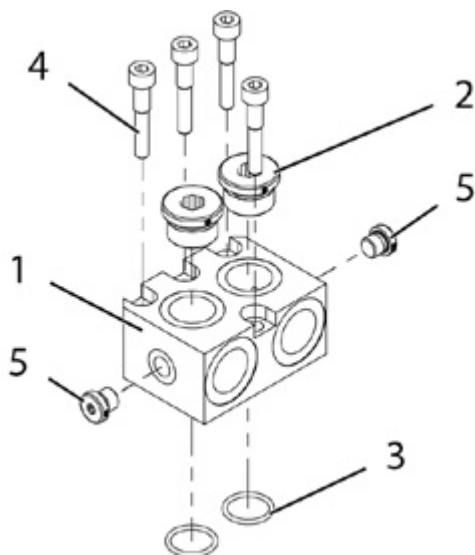
O-rings are also available in Seal kit, see page 14.
Plugs are also available in Plug kit, see page 16.

2. HEAD



POS	PART NUMBER	QTY	DESCRIPTION	DETAILS	DETAILS 2
1	V100 101 630	1	HEAD	Standard	

3. PT BLOCK



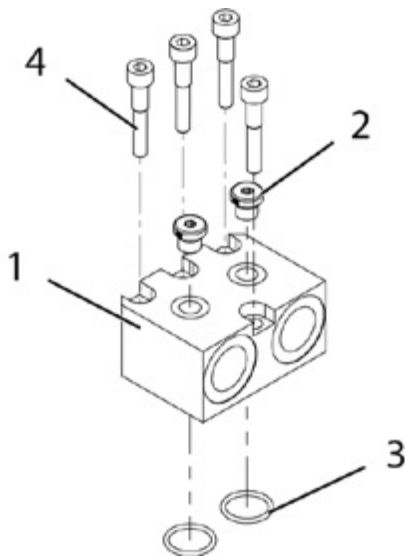
POS	PART NUMBER	QTY	DESCRIPTION	DETAILS	DETAILS 2
	V100 100 700		PT BLOCK		Includes pos. 1-5
1	*	1	PT BLOCK	R3/4 - AI	
2	*	2	HEXAGON SOCKET CAP PLUG	R3/4	
3	*	2	O-RING	21,3 x 2,4	
4	*	4	HEXAGON SOCKET CAP SCREW	M8x45	
5	*	2	HEXAGON SOCKET CAP PLUG	R1/4	

* Not sold separately. Available only in kit or assembly described above or presented in separate part list.

Read Details 2

O-rings are also available in Seal kit, see page 14.

Screws are also available in Screw kit, see page 12.

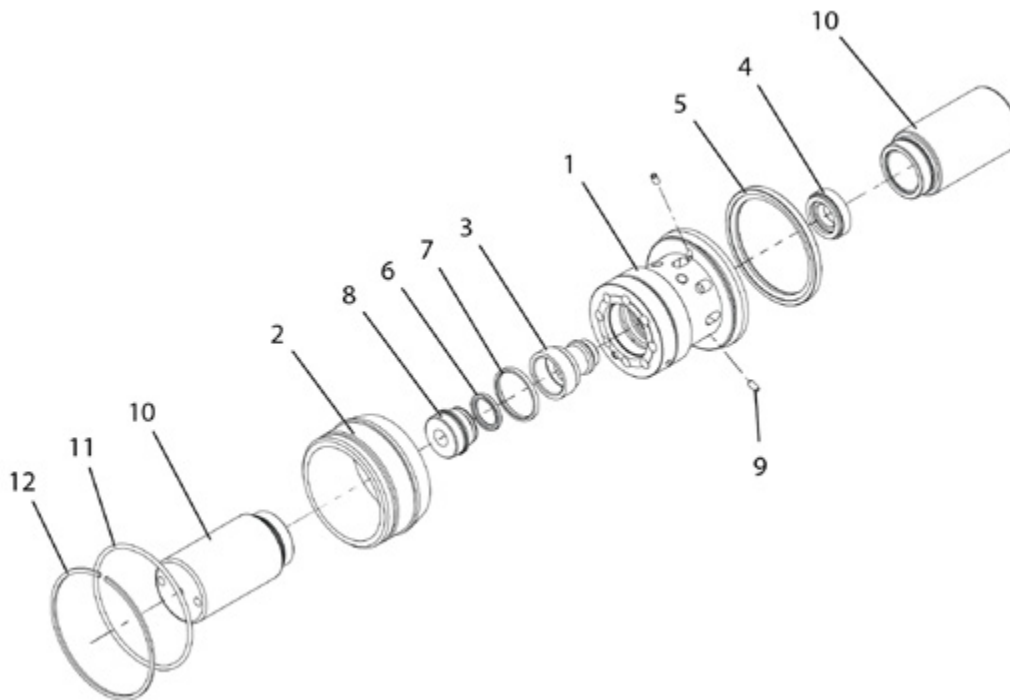


POS	PART NUMBER	QTY	DESCRIPTION	DETAILS	DETAILS 2
	V100 100 720		PT BLOCK - AIS		Includes pos. 1-4
1	*	1	PT BLOCK	R3/4 - AIS	Stainless Steel
2	*	2	HEXAGON SOCKET CAP PLUG	R1/4	Stainless Steel
3	*	2	O-RING	21,3 x 2,4	
4	*	4	HEXAGON SOCKET CAP SCREW	M8x45	Stainless Steel

* Not sold separately. Available only in kit or assembly described above or presented in separate part list.
Read Details 2

O-rings are also available in Seal kit, see page 14.
Screws are also available in Screw kit, see page 12.

4. PISTON

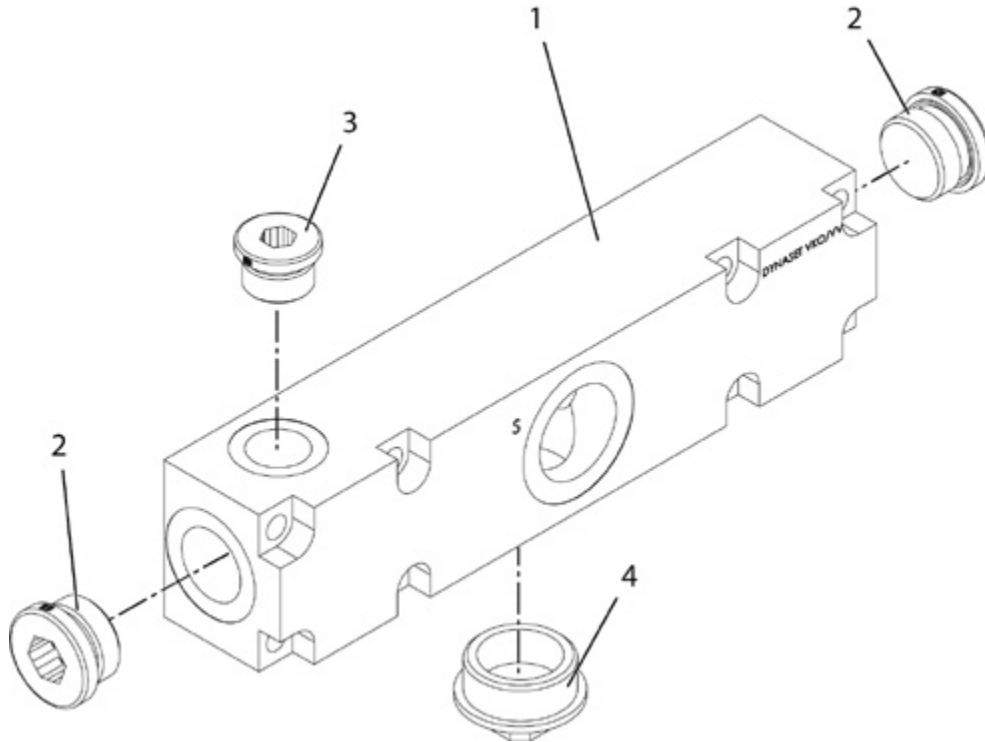


POS	PART NUMBER	QTY	DESCRIPTION	DETAILS	DETAILS 2
	V100 101 652		PISTON KIT	Piston kit includes 2 Secondary pistons	Includes pos. 1-12
1	*	1	HYDRAULIC PISTON	D90 / d72,8	
2	*	1	CYLINDER LINER	D72,8	
3	*	1	VALVE SPOOL	D36-41,5	
4	*	1	VALVE SEAT	D35,5-10,5	
5	*	1	PISTON SEAL ASSEMBLY	M90	
6	*	1	PISTON SEAL ASSEMBLY	M28,5	
7	*	1	ROD SEAL	36/41-3	
8	*	1	REVERSAL VALVE GUIDE	D34	
9	*	2	SET SCREW	M5x10	
10	V100 101 654	1	SECONDARY PISTON	D50	
11	*	1	O-RING	87 x 3	
12	*	1	LOCK RING	85 x 2,5	
	V100 101 655		SECONDARY PISTON KIT		Includes pos. 6, 8 and 2 Secondary pistons.
	V100 101 650		HYDRAULIC PISTON KIT	Secondary pistons excluded	Includes pos. 1-5, 7, 9
	V100 101 648		REVERSAL VALVE GUIDE KIT		Includes pos. 6, 8
	V100 101 130		PISTON SEAL KIT		Includes pos. 5-7

* Not sold separately. Available only in kit or assembly described above or presented in separate part list.
Read Details 2

Seals and O-rings are also available in Seal kit, see page 14.

5. SUCTION MANIFOLD

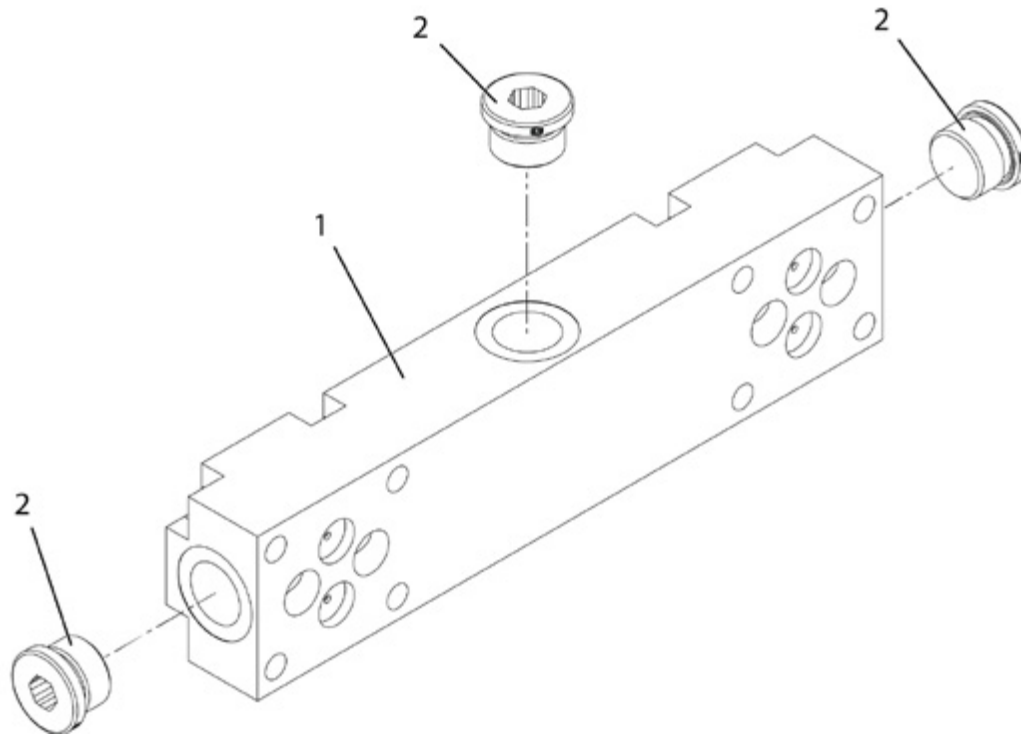


POS	PART NUMBER	QTY	DESCRIPTION	DETAILS	DETAILS 2
	V100 101 675		SUCTION MANIFOLD KIT		Includes pos. 1-4
1	*	1	SUCTION MANIFOLD	AI	
2	*	2	HEXAGON SOCKET CAP PLUG	R1	
3	*	1	HEXAGON SOCKET CAP PLUG	R3/4	
4	*	1	PLUG	R1 1/4	

* Not sold separately. Available only in kit or assembly described above or presented in separate part list.
Read Details 2

Plugs are also available in Plug kit, see page 16.

6. PRESSURE MANIFOLD

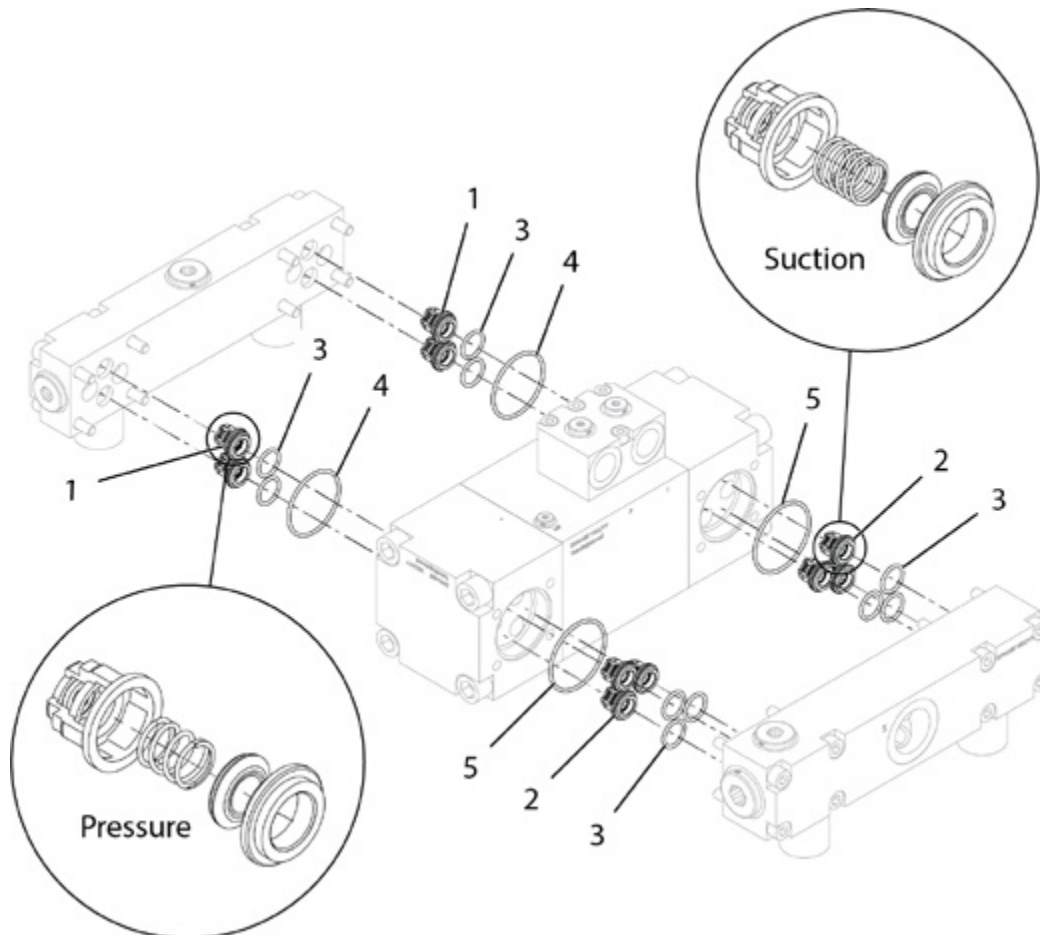


POS	PART NUMBER	QTY	DESCRIPTION	DETAILS	DETAILS 2
	V100 101 625		PRESSURE MANIFOLD KIT		Includes pos. 1-2
1	*	1	PRESSURE MANIFOLD	AI	
2	*	3	HEXAGON SOCKET CAP PLUG	R3/4	

* Not sold separately. Available only in kit or assembly described above or presented in separate part list.
Read Details 2

Plugs are also available in Plug kit, see page 16.

7. WATER VALVE



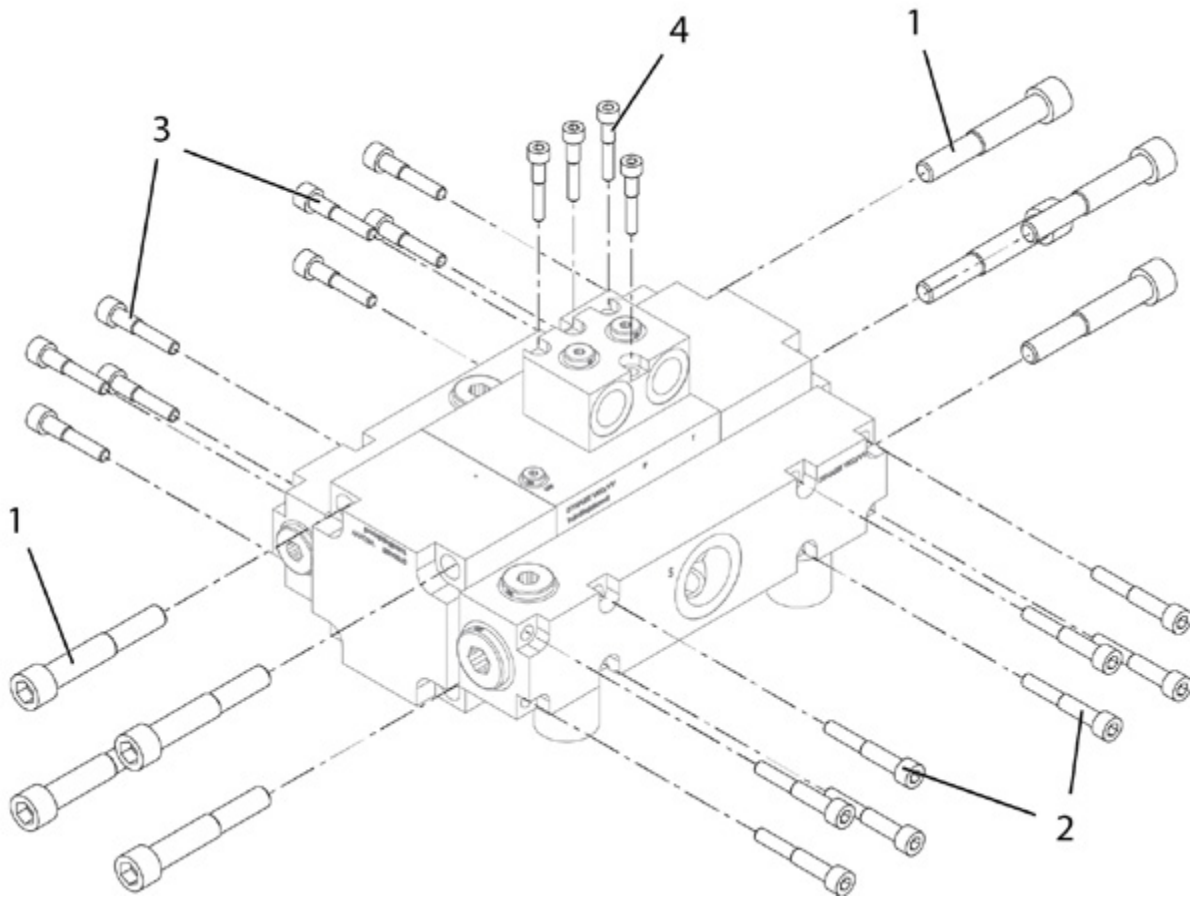
NOTE! The pressure valve's (1) spring has less turns than the suction valve's (2) spring.

POS	PART NUMBER	QTY	DESCRIPTION	DETAILS	DETAILS 2
	V100 101 635		WATER VALVE KIT		Includes pos. 1-5
1	*	4	WATER VALVE	Pressure	
2	*	6	WATER VALVE	Suction	
3	*	10	O-RING	20,3 x 2,62	
4	*	2	O-RING	53,64 x 2,62	
5	*	2	O-RING	58,42 x 2,62	

* Not sold separately. Available only in kit or assembly described above or presented in separate part list.
Read Details 2

O-rings are also available in Seal kit, see page 14.

8. SCREW KIT



SPARE PARTS

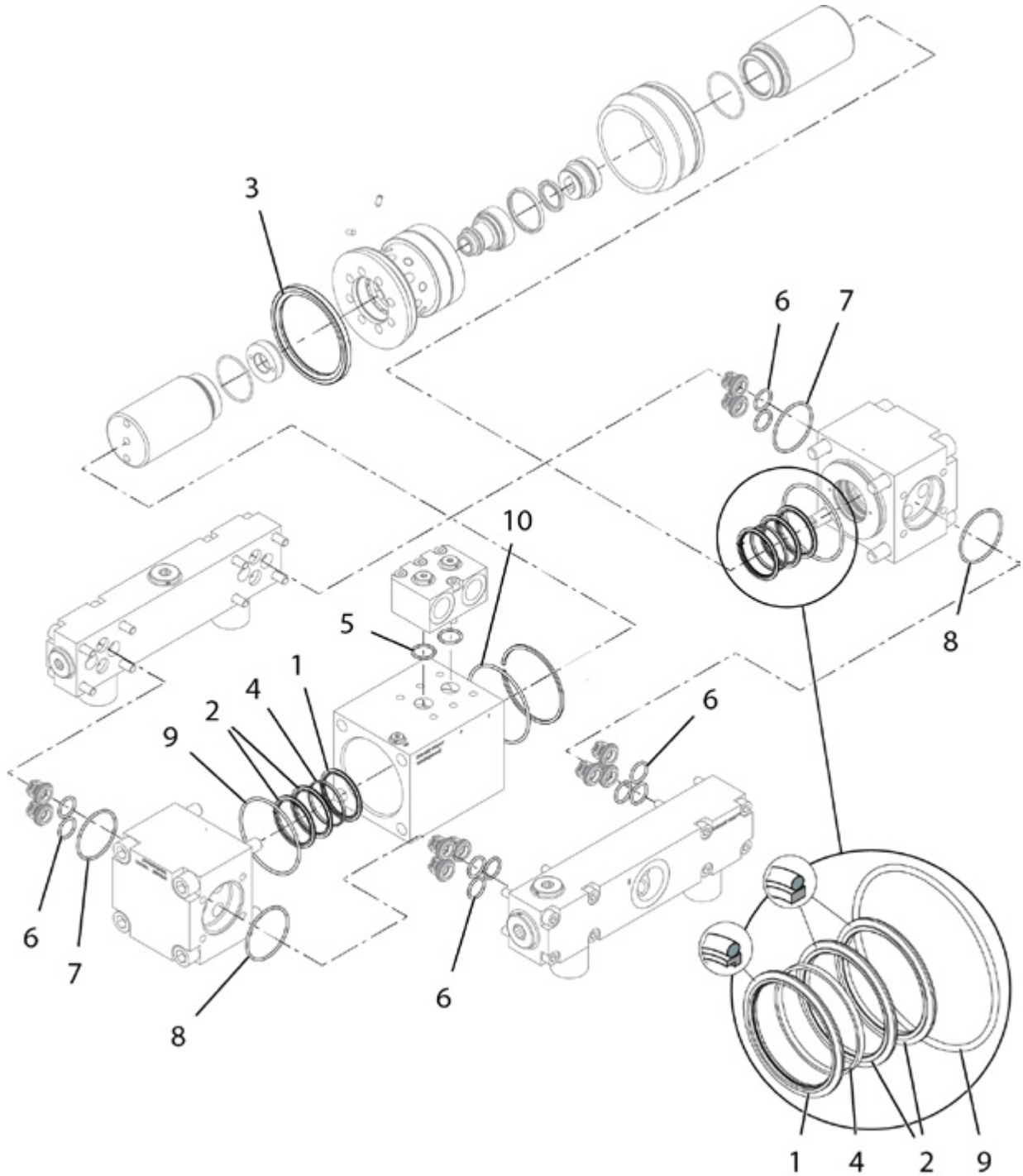
POS	PART NUMBER	QTY	DESCRIPTION	DETAILS	DETAILS 2
	V100 101 640		SCREW KIT		Includes pos. 1-4
1	*	8	HEXAGON SOCKET CAP SCREW	M16 x 100	
2	*	8	HEXAGON SOCKET CAP SCREW	M10 x 65	
3	*	8	HEXAGON SOCKET CAP SCREW	M10 x 55	
4	*	4	HEXAGON SOCKET CAP SCREW	M8 x 45	

POS	PART NUMBER	QTY	DESCRIPTION	DETAILS	DETAILS 2
	V100 101 642		SCREW KIT M		Includes pos. 1-4
1	*	8	HEXAGON SOCKET CAP SCREW	M16 x 100	Stainless steel
2	*	8	HEXAGON SOCKET CAP SCREW	M10 x 65	Stainless steel
3	*	8	HEXAGON SOCKET CAP SCREW	M10 x 55	Stainless steel
4	*	4	HEXAGON SOCKET CAP SCREW	M8 x 45	Stainless steel

* Not sold separately. Available only in kit or assembly described above or presented in separate part list.
Read Details 2

! **NOTE!** Tightening torques can be found in user manual.

9. SEAL KIT



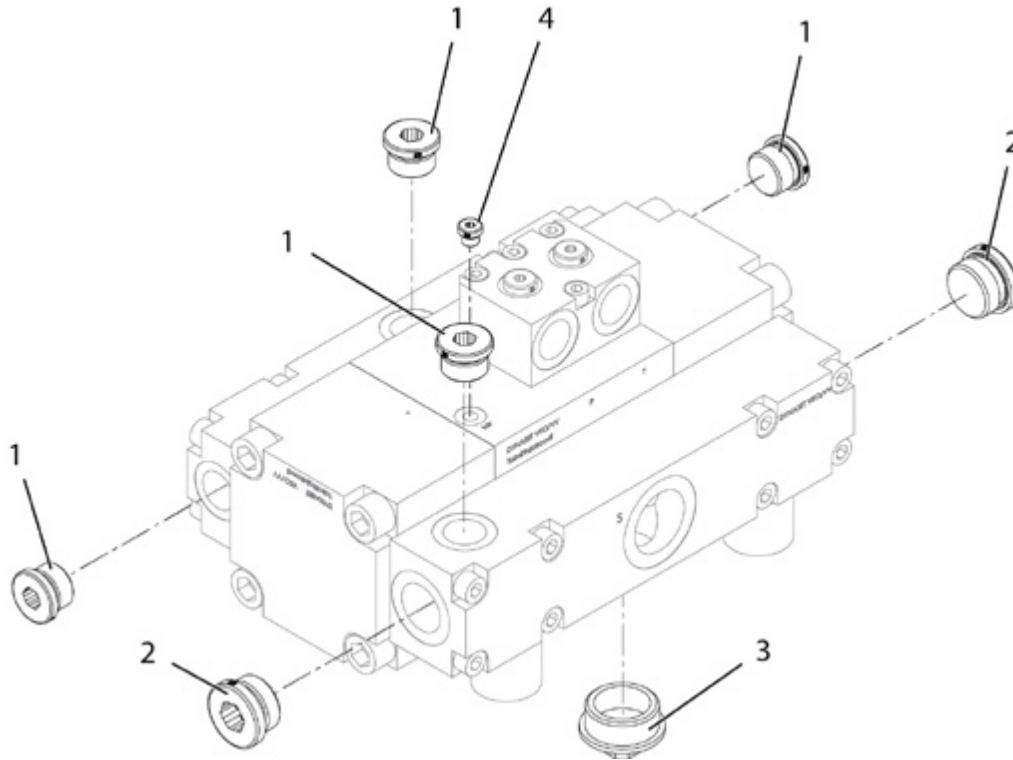
SPARE PARTS

POS	PART NUMBER	QTY	DESCRIPTION	DETAILS	DETAILS 2
	V100 101 555		SEAL KIT		Includes pos. 1-10
1	*	2	ROD SEAL ASSEMBLY	1T	
2	*	4	ROD SEAL ASSEMBLY	2T	
3	*	1	PISTON SEAL ASSEMBLY	M90	
4	*	2	WEAR RING	50/53	
5	*	2	O-RING	21,3 x 2,4	
6	*	10	O-RING	20,3 x 2,62	
7	*	2	O-RING	53,64 x 2,62	
8	*	2	O-RING	58,42 x 2,62	
9	*	2	O-RING	84,5 x 3	
10	*	1	O-RING	87 x 3	

POS	PART NUMBER	QTY	DESCRIPTION	DETAILS	DETAILS 2
	V100 101 560		SEAL KIT HOT		Includes pos. 1-10
1	*	2	ROD SEAL ASSEMBLY	1T	
2	*	4	ROD SEAL ASSEMBLY	2T	
3	*	1	PISTON SEAL ASSEMBLY	M90	
4	*	2	WEAR RING	50/53	
5	*	2	O-RING	21,3 x 2,4	
6	*	10	O-RING	20,3 x 2,62	
7	*	2	O-RING	53,64 x 2,62	
8	*	2	O-RING	58,42 x 2,62	
9	*	2	O-RING	84,5 x 3	
10	*	1	O-RING	87 x 3	

* Not sold separately. Available only in kit or assembly described above or presented in separate part list.
Read Details 2

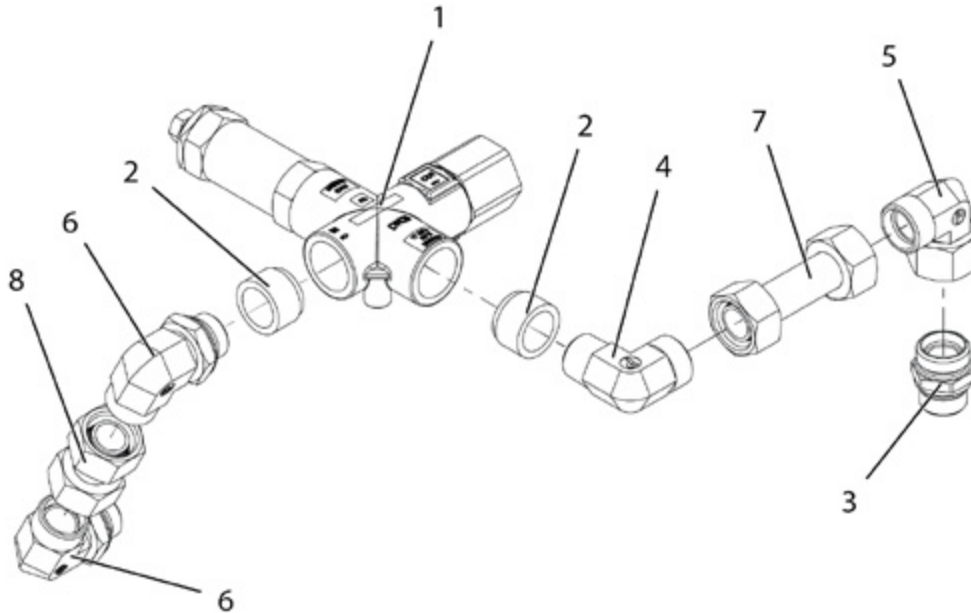
10. PLUG KIT



POS	PART NUMBER	QTY	DESCRIPTION	DETAILS	DETAILS 2
	V100 101 695		PLUG KIT		Includes pos 1-4
1	*	4	HEXAGON SOCKET CAP PLUG	R3/4	
2	*	2	HEXAGON SOCKET CAP PLUG	R1	
3	*	1	PLUG	R1 1/4	
4	*	1	HEXAGON SOCKET CAP PLUG	R1/8	

* Not sold separately. Available only in kit or assembly described above or presented in separate part list.
Read Details 2

11. UNLOADER VALVE



POS	PART NUMBER	QTY	DESCRIPTION	DETAILS	DETAILS 2
	V100 101 660		UNLOADER VALVE KIT		Includes pos. 1-8
1	V100 101 670	1	UNLOADER VALVE	180 bar	
2	*	2	UNLOADER REDUCTION	R1u - R3/4s	
3	*	1	STRAIGHT MALE STUD COUPLING	22L R3/4	
4	*	1	ELBOW MALE COUPLING	22L RK3/4	
5	*	1	ADJUSTABLE ELBOW COUPLING	22L R3/4	
6	*	2	ADJUSTABLE ELBOW COUPLING MALE	22L	
7	*	1	PIPE ASSEMBLY	Bypass	
8	*	1	PIPE ASSEMBLY	Pressure	
	V100 101 665		UNLOADER VALVE INSTALLATION KIT		Includes pos. 3-8
	V100 101 680		UNLOADER VALVE PIPE KIT		Includes pos. 7-8
	V100 102 850		UNLOADER VALVE REPAIR KIT	Check valve	

* Not sold separately. Available only in kit or assembly described above or presented in separate part list.
Read Details 2



HPW 180 /90-115

SPARE PARTS



HPW 180 /90-115

SPARE PARTS