

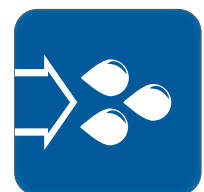


**DYNASET**

**POWERED BY HYDRAULICS**



## SPARE PARTS HIGH PRESSURE WATER PUMPS



HPW 200 /30-45

HPW200\_30-45\_Spare\_Parts\_MEA-PL1.0

Mobile Energy Australia Pty Ltd  
P: +61 7 3273 6803

39 Dulacca Street Acacia Ridge QLD 4110 Australia  
E: sales@mobileenergyaustralia.com.au

ABN 40 218 849 719  
www.mobileenergyaustralia.com.au

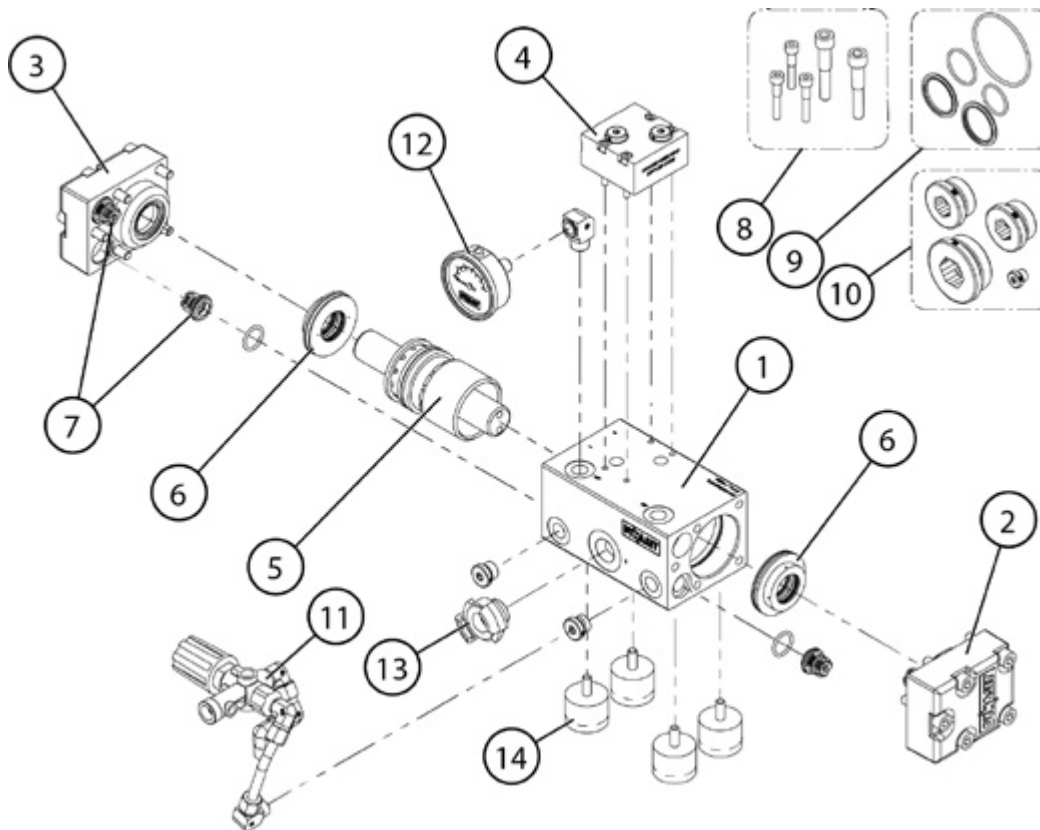


HPW 200 /30-45

## SPARE PARTS

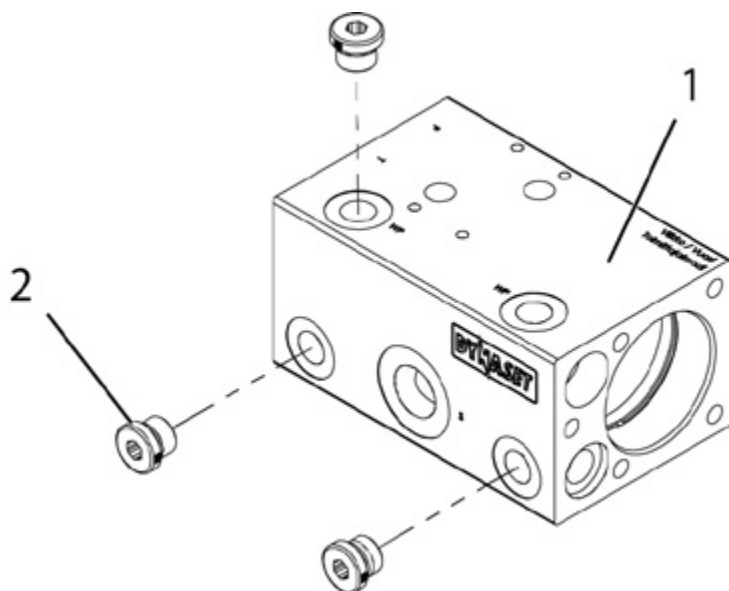
<b>MAIN COMPONENTS</b>	<b>3</b>
1. CENTER BODY.....	4
2. HEAD RIGHT.....	5
3. HEAD LEFT.....	6
4. PT BLOCK.....	7
5. PISTON.....	11
6. SEAL FLANGE.....	12
7. WATER VALVE.....	13
8. SCREW KIT.....	14
9. SEAL KIT.....	16
10. PLUG KIT.....	18
11. UNLOADER VALVE.....	20
12. PRESSURE GAUGE.....	23

## MAIN COMPONENTS



POS	PART NUMBER	QTY	DESCRIPTION	DETAILS	DETAILS 2
1		1	CENTER BODY		See separate part list
2		1	HEAD RIGHT		See separate part list
3		1	HEAD LEFT		See separate part list
4		1	PT BLOCK KIT		See separate part list
5		1	PISTON KIT		See separate part list
6		2	SEAL FLANGE KIT		See separate part list
7		2	WATER VALVE KIT		See separate part list
8			SCREW KIT		See separate part list
9			SEAL KIT		See separate part list
10			PLUG KIT		See separate part list
11			UNLOADER VALVE		See separate part list
12		1	PRESSURE GAUGE		See separate part list
13	V170 3275 000	1	CLAW COUPLING	25 - R3/4	
14	V100 100 001	1	RUBBER CUSHION KIT	D40 / H30 - M8	

## 1. CENTER BODY



POS	PART NUMBER	QTY	DESCRIPTION	DETAILS	DETAILS 2
1	V100 101 161	1	CENTER BODY	D63	Includes pos. 2
2	*	3	HEXAGON SOCKET CAP PLUG	R3/8	

POS	PART NUMBER	QTY	DESCRIPTION	DETAILS	DETAILS 2
1	V100 101 159	1	CENTER BODY AB	D63	Includes pos. 2
2	*	3	HEXAGON SOCKET CAP PLUG	R3/8 Stainless Steel	

POS	PART NUMBER	QTY	DESCRIPTION	DETAILS	DETAILS 2
1	V100 101 144	1	CENTER BODY M	D63	Includes pos. 2
2	*	3	HEXAGON SOCKET CAP PLUG	R3/8 Stainless Steel	

POS	PART NUMBER	QTY	DESCRIPTION	DETAILS	DETAILS 2
1	V100 101 145	1	CENTER BODY SUB	D63	Includes pos. 2
2	*	3	HEXAGON SOCKET CAP PLUG	R3/8 Stainless Steel	

POS	PART NUMBER	QTY	DESCRIPTION	DETAILS	DETAILS 2
1	V100 101 146	1	CENTER BODY EX	D63 **	Includes pos. 2
2	*	3	HEXAGON SOCKET CAP PLUG	R3/8 Stainless Steel	

POS	PART NUMBER	QTY	DESCRIPTION	DETAILS	DETAILS 2
1	V100 101 148	1	CENTER BODY AB EX	D63 ***	Includes pos. 2
2	*	3	HEXAGON SOCKET CAP PLUG	R3/8 Stainless Steel	

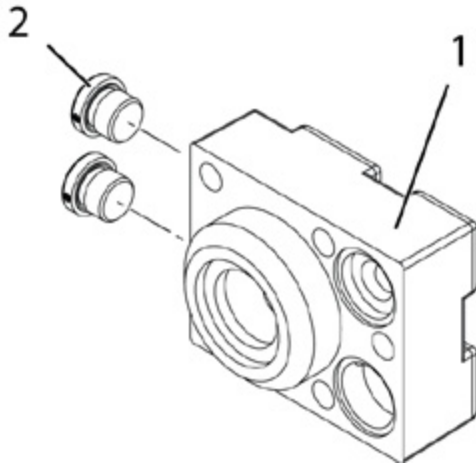
\* Not sold separately. Available only in kit or assembly described above or presented in separate part list.  
Read Details 2

\*\* EX II 2 GD c T6

\*\*\* EX I M2 c II 2 GD c T6

Plugs are also available in Plug kit, see page 18.

## 2. HEAD RIGHT



POS	PART NUMBER	QTY	DESCRIPTION	DETAILS	DETAILS 2
1	V100 101 360	1	HEAD RIGHT	D63 / d30	Includes pos. 2
2	*	2	HEXAGON SOCKET CAP PLUG	R3/8	

POS	PART NUMBER	QTY	DESCRIPTION	DETAILS	DETAILS 2
1	V100 101 361	1	HEAD RIGHT AB	D63 / d30	Includes pos. 2
2	*	2	HEXAGON SOCKET CAP PLUG	R3/8 Stainless Steel	

POS	PART NUMBER	QTY	DESCRIPTION	DETAILS	DETAILS 2
1	V100 101 362	1	HEAD RIGHT AIS	D63 / d30	Includes pos. 2
2	*	2	HEXAGON SOCKET CAP PLUG	R3/8 Stainless Steel	

POS	PART NUMBER	QTY	DESCRIPTION	DETAILS	DETAILS 2
1	V100 101 363	1	HEAD RIGHT M	D63 / d30	Includes pos. 2
2	*	2	HEXAGON SOCKET CAP PLUG	R3/8 Stainless Steel	

POS	PART NUMBER	QTY	DESCRIPTION	DETAILS	DETAILS 2
1	V100 101 364	1	HEAD RIGHT SUB	D63 / d30	Includes pos. 2
2	*	2	HEXAGON SOCKET CAP PLUG	R3/8 Stainless Steel	

POS	PART NUMBER	QTY	DESCRIPTION	DETAILS	DETAILS 2
1	V100 101 135	1	HEAD RIGHT EX	D63 / d30 **	Includes pos. 2
2	*	2	HEXAGON SOCKET CAP PLUG	R3/8 Stainless Steel	

POS	PART NUMBER	QTY	DESCRIPTION	DETAILS	DETAILS 2
1	V100 101 137	1	HEAD RIGHT AB EX	D63 / d30 ***	Includes pos. 2
2	*	2	HEXAGON SOCKET CAP PLUG	R3/8 Stainless Steel	

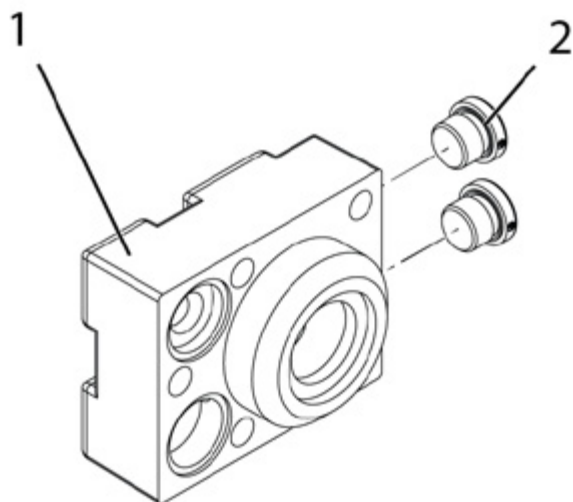
\* Not sold separately. Available only in kit or assembly described above or presented in separate part list.  
Read Details 2

\*\* EX II 2 GD c T6

\*\*\* EX I M2 c II 2 GD c T6

Plugs are also available in Plug kit, see page 18.

### 3. HEAD LEFT



POS	PART NUMBER	QTY	DESCRIPTION	DETAILS	DETAILS 2
1	V100 101 365	1	HEAD LEFT	D63 / d30	Includes pos. 2
2	*	2	HEXAGON SOCKET CAP PLUG	R3/8	

POS	PART NUMBER	QTY	DESCRIPTION	DETAILS	DETAILS 2
1	V100 101 366	1	HEAD LEFT AB	D63 / d30	Includes pos. 2
2	*	2	HEXAGON SOCKET CAP PLUG	R3/8 Stainless Steel	

POS	PART NUMBER	QTY	DESCRIPTION	DETAILS	DETAILS 2
1	V100 101 367	1	HEAD LEFT AIS	D63 / d30	Includes pos. 2
2	*	2	HEXAGON SOCKET CAP PLUG	R3/8 Stainless Steel	

POS	PART NUMBER	QTY	DESCRIPTION	DETAILS	DETAILS 2
1	V100 101 368	1	HEAD LEFT M	D63 / d30	Includes pos. 2
2	*	2	HEXAGON SOCKET CAP PLUG	R3/8 Stainless Steel	

POS	PART NUMBER	QTY	DESCRIPTION	DETAILS	DETAILS 2
1	V100 101 369	1	HEAD LEFT SUB	D63 / d30	Includes pos. 2
2	*	2	HEXAGON SOCKET CAP PLUG	R3/8 Stainless Steel	

POS	PART NUMBER	QTY	DESCRIPTION	DETAILS	DETAILS 2
1	V100 101 140	1	HEAD LEFT EX	D63 / d30 **	Includes pos. 2
2	*	2	HEXAGON SOCKET CAP PLUG	R3/8 Stainless Steel	

POS	PART NUMBER	QTY	DESCRIPTION	DETAILS	DETAILS 2
1	V100 101 142	1	HEAD LEFT AB EX	D63 / d30 ***	Includes pos. 2
2	*	2	HEXAGON SOCKET CAP PLUG	R3/8 Stainless Steel	

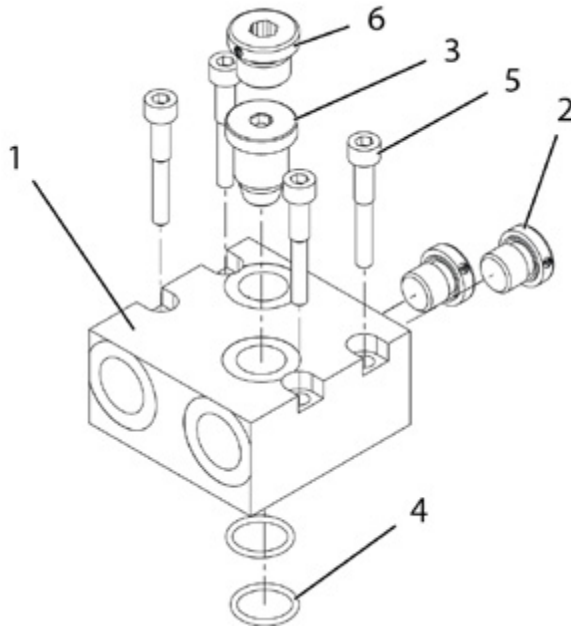
\* Not sold separately. Available only in kit or assembly described above or presented in separate part list.  
Read Details 2

\*\* EX II 2 GD c T6

\*\*\* EX I M2 c II 2 GD c T6

Plugs are also available in Plug kit, see page 18.

## 4. PT BLOCK



POS	PART NUMBER	QTY	DESCRIPTION	DETAILS	DETAILS 2
	<b>V100 100 500</b>		<b>PT BLOCK KIT</b>		<b>Includes pos. 1-6</b>
1	*	1	PT BLOCK	R1/2 - AI - Minimum pressure valve	
2	*	2	HEXAGON SOCKET CAP PLUG	R1/4	
3	V100 100 510	1	MINIMUM PRESSURE VALVE	1/2"	
4	*	2	O-RING	17 x 2	
5	*	4	HEXAGON SOCKET CAP SCREW	M6x40	
6	*	1	HEXAGON SOCKET CAP PLUG	R3/8	

\* Not sold separately. Available only in kit or assembly described above or presented in separate part list.

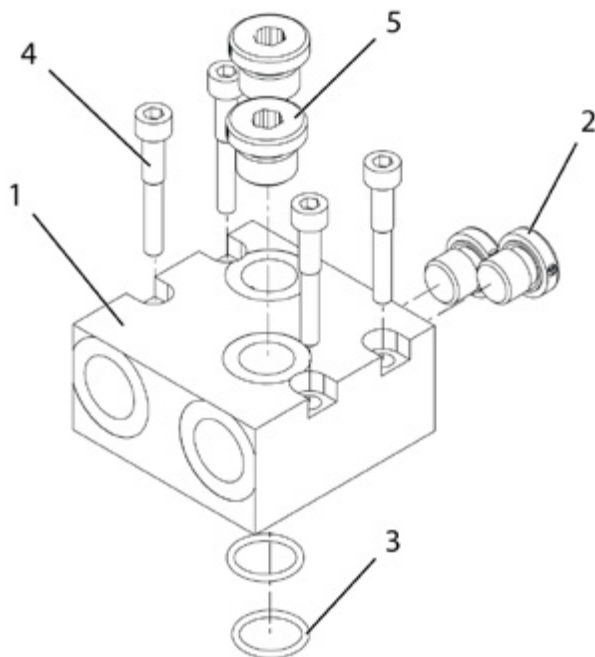
Read Details 2

Screws are also available in Screw kit, see page 14.

O-rings are also available in Seal kit, see page 16.

Plugs are also available in Plug kit, see page 18.





POS	PART NUMBER	QTY	DESCRIPTION	DETAILS	DETAILS 2
	<b>V100 100 480</b>		<b>PT BLOCK KIT - M</b>		<b>Includes pos. 1-5</b>
1	*	1	PT BLOCK	R1/2 - Al -M	
2	*	2	HEXAGON SOCKET CAP PLUG	R1/4	Stainless steel
3	*	2	O-RING	17 x 2	
4	*	4	HEXAGON SOCKET CAP SCREW	M6x40	Stainless steel
5	*	2	HEXAGON SOCKET CAP PLUG	R3/8	Stainless steel

POS	PART NUMBER	QTY	DESCRIPTION	DETAILS	DETAILS 2
	<b>V100 100 550</b>		<b>PT BLOCK KIT AL - EX</b>		<b>Includes pos. 1-5</b>
1	*	1	PT BLOCK AL-EX	R1/2 - Al **	
2	*	2	HEXAGON SOCKET CAP PLUG	R1/4	Stainless steel
4	*	2	O-RING	17 x 2	
5	*	4	HEXAGON SOCKET CAP SCREW	M6x40	Stainless steel
6	*	2	HEXAGON SOCKET CAP PLUG	R3/8	Stainless steel

\* Not sold separately. Available only in kit or assembly described above or presented in separate part list.  
Read Details 2

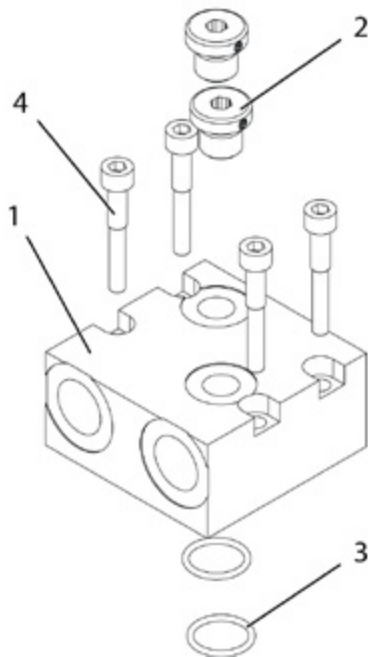
\*\* EX II 2 GD c T6

Screws are also available in Screw kit, see page 14.

O-rings are also available in Seal kit, see page 16.

Plugs are also available in Plug kit, see page 18.





POS	PART NUMBER	QTY	DESCRIPTION	DETAILS	DETAILS 2
	<b>V100 100 470</b>		<b>PT BLOCK KIT AIS</b>		<b>Includes pos. 1-4</b>
1	*	1	PT BLOCK AIS	R1/2 - Stainless Steel	
2	*	2	HEXAGON SOCKET CAP PLUG	R1/4 Stainless Steel	
3	*	2	O-RING	17 x 2	
4	*	4	HEXAGON SOCKET CAP SCREW	M6x40 Stainless Steel	

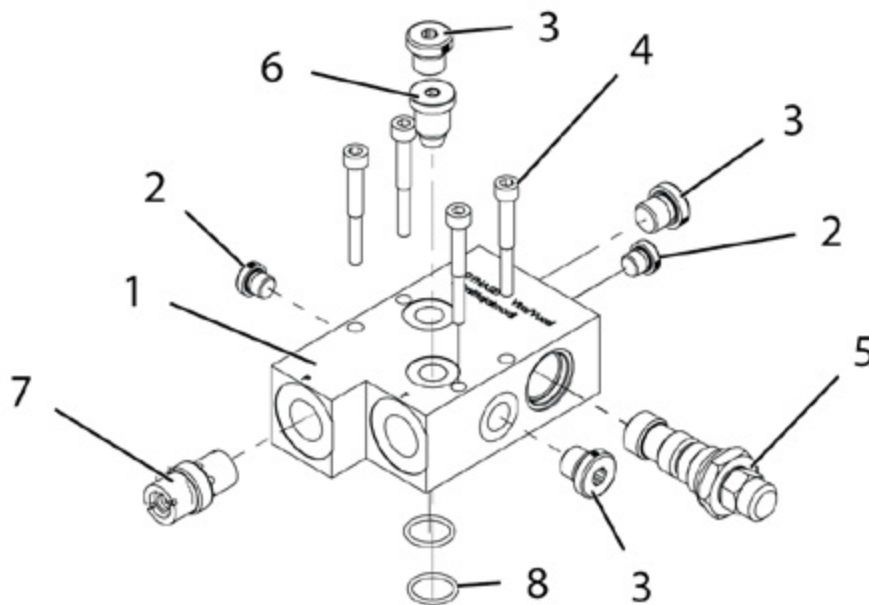
POS	PART NUMBER	QTY	DESCRIPTION	DETAILS	DETAILS 2
	<b>V100 100 475</b>		<b>PT BLOCK KIT SUB</b>		<b>Includes pos. 1-4</b>
1	*	1	PT BLOCK SUB	R1/2 - Stainless Steel	
2	*	2	HEXAGON SOCKET CAP PLUG	R1/4 Stainless Steel	
3	*	2	O-RING	17 x 2	
4	*	4	HEXAGON SOCKET CAP SCREW	M6x40 Stainless Steel	

POS	PART NUMBER	QTY	DESCRIPTION	DETAILS	DETAILS 2
	<b>V100 100 555</b>		<b>PT BLOCK KIT AIS-EX</b>		<b>Includes pos. 1-4</b>
1	*	1	PT BLOCK AIS-EX	R1/2 - Al ***	
2	*	2	HEXAGON SOCKET CAP PLUG	R1/4 Stainless Steel	
3	*	2	O-RING	17 x 2	
4	*	4	HEXAGON SOCKET CAP SCREW	M6x40 Stainless Steel	

\* Not sold separately. Available only in kit or assembly described above or presented in separate part list.  
Read Details 2

\*\*\* EX I M2 c II 2 GD c T6

Screws are also available in Screw kit, see page 14.  
O-rings are also available in Seal kit, see page 16.  
Plugs are also available in Plug kit, see page 18.



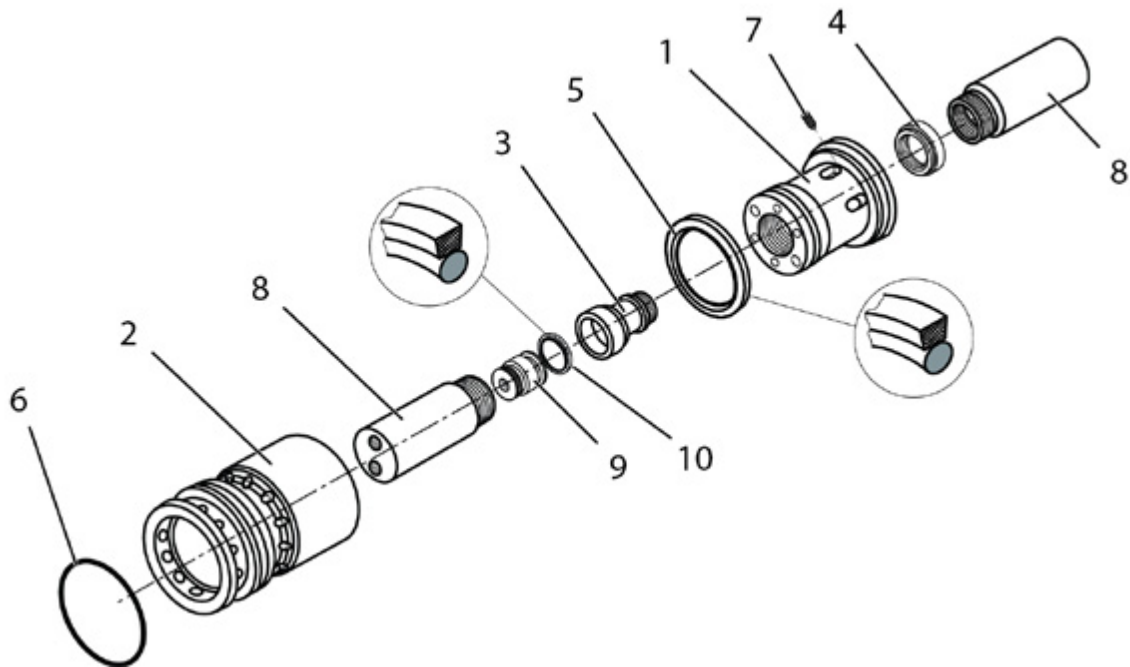
POS	PART NUMBER	QTY	DESCRIPTION	DETAILS	DETAILS 2
1	V100 100 520		PT BLOCK - VR - PA	R1/2-VR-PA with Minimum pressure valve	Includes pos. 2-8
2	*	2	HEXAGON SOCKET CAP PLUG	R1/8	
3	*	3	HEXAGON SOCKET CAP PLUG	R1/4	
4	*	4	HEXAGON SOCKET CAP SCREW	M6x50	
5	*	1	PRESSURE REDUCING VALVE CARTRIDGE	315/70-210 40 lpm	
6	V100 100 510	1	MINIMUM PRESSURE VALVE		
7	*	1	FLOW LIMITER CARTRIDGE	R1/2 - 40 lpm	
8	*	2	O-RING		

POS	PART NUMBER	QTY	DESCRIPTION	DETAILS	DETAILS 2
1	V100 100 525		PT BLOCK - VR-PA-AIS	R1/2-VR-PA-AIS without Minimum pressure valve	Includes pos. 2-8
2	*	2	HEXAGON SOCKET CAP PLUG	R1/8 Stainless Steel	
3	*	3	HEXAGON SOCKET CAP PLUG	R1/4 Stainless Steel	
4	*	4	HEXAGON SOCKET CAP SCREW	M6x50 Stainless Steel	
5	*	1	PRESSURE REDUCING VALVE CARTRIDGE	315/70-210 40 lpm	
6	*	1	HEXAGON SOCKET CAP PLUG	R3/8	Replaces minimum pressure valve
7	*	1	FLOW LIMITER CARTRIDGE	R1/2 - 40 lpm	
8	*	2	O-RING		

\* Not sold separately. Available only in kit or assembly described above or presented in separate part list.  
Read Details 2

Screws are also available in Screw kit, see page 14.  
O-rings are also available in Seal kit, see page 16.  
Plugs are also available in Plug kit, see page 18.

## 5. PISTON

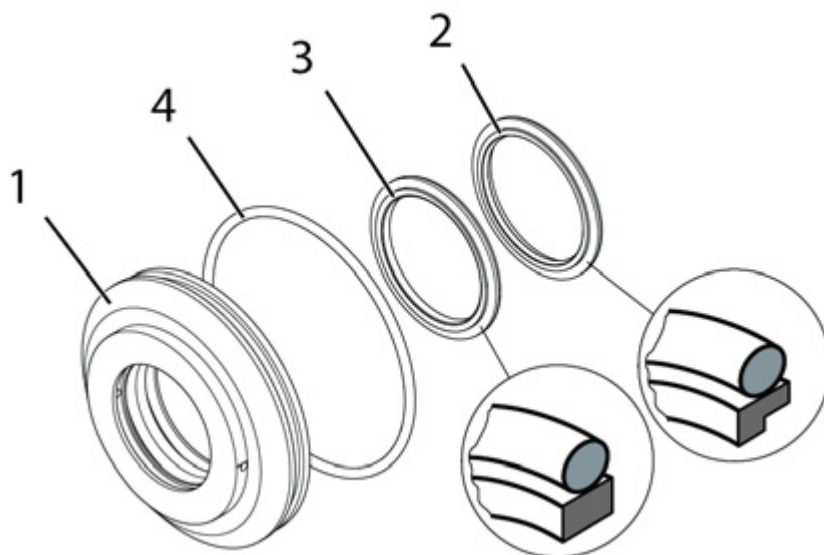


POS	PART NUMBER	QTY	DESCRIPTION	DETAILS	DETAILS 2
	<b>V100 101 330</b>		<b>PISTON KIT</b>	<b>Piston kit includes 2 Secondary pistons</b>	<b>Includes pos. 1-10</b>
1	*	1	HYDRAULIC PISTON	D55 / d44,3	
2	*	1	CYLINDER LINER	D55 / d44,3	
3	*	1	VALVE SPOOL	24/25	
4	*	1	VALVE SEAT	23,2/5,5	
5	*	1	PISTON SEAL ASSEMBLY	D55	
6	*	1	O-RING	57 x 3	
7	*	2	SET SCREW	M5 x 8	
8	V100 101 344	1	SECONDARY PISTON	D30	
9	V100 101 375	1	REVERSAL VALVE GUIDE	M55	Includes pos. 10
10	*	1	PISTON SEAL ASSEMBLY	D18	
	<b>V100 101 340</b>		<b>HYDRAULIC PISTON KIT</b>		<b>Includes pos. 1-7</b>
	<b>V100 101 345</b>		<b>SECONDARY PISTON KIT</b>	<b>Includes 2 Secondary pistons</b>	<b>Includes pos. 8-10</b>

\* Not sold separately. Available only in kit or assembly described above or presented in separate part list.  
Read Details 2

O-rings and seals are also available in Seal kit, see page 16.

## 6. SEAL FLANGE

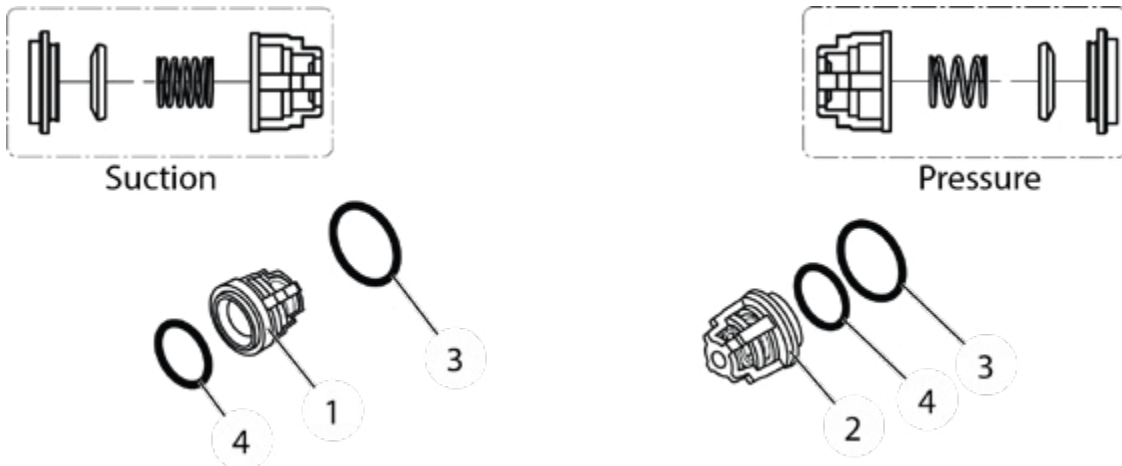


POS	PART NUMBER	QTY	DESCRIPTION	DETAILS	DETAILS 2
	V100 101 371		SEAL FLANGE KIT	D63 / d30	Includes pos. 1-4
1	V100 101 370	1	FLANGE BODY		
2	*	1	WATER PISTON SEAL	1T	Includes O-ring
3	*	1	WATER PISTON SEAL	2T	Includes O-ring
4	*	1	O-RING	57	

\* Not sold separately. Available only in kit or assembly described above or presented in separate part list.  
Read Details 2

O-rings and seals are also available in Seal kit, see page 16.

## 7. WATER VALVE



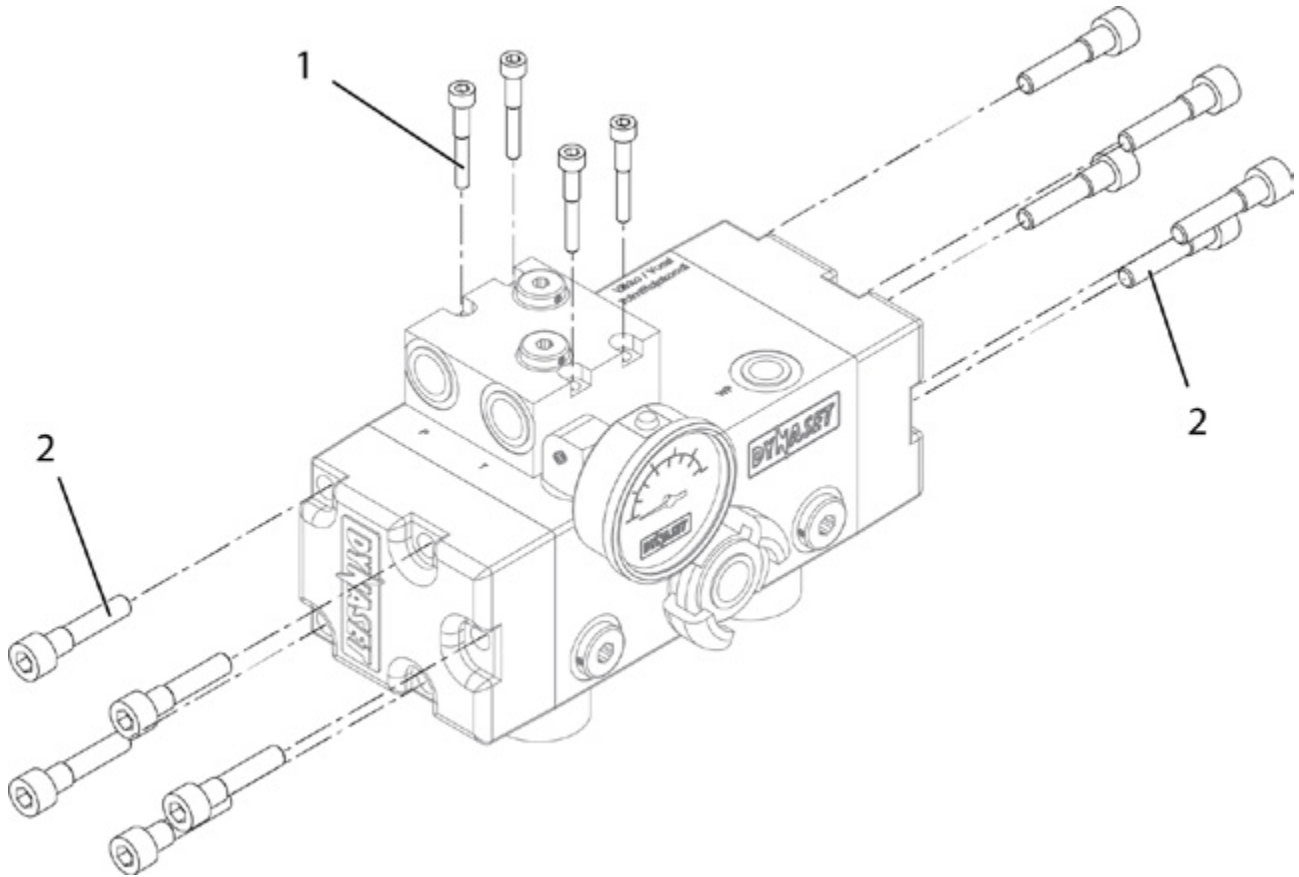
**!** NOTE! The pressure valve's spring (2) has less turns than the suction valve's (1) spring.

POS	PART NUMBER	QTY	DESCRIPTION	DETAILS	DETAILS 2
	<b>V100 101 235</b>		<b>WATER VALVE KIT</b>		<b>Includes pos. 1-4</b>
1	*	2	WATER VALVE	Suction	
2	*	2	WATER VALVE	Pressure	
3	*	4	O-RING	27	
4	*	4	O-RING	20,3	

\* Not sold separately. Available only in kit or assembly described above or presented in separate part list.  
Read Details 2

O-rings are also available in Seal kit, see page 16.

## 8. SCREW KIT



**SPARE PARTS**

POS	PART NUMBER	QTY	DESCRIPTION	DETAILS	DETAILS 2
	<b>V100 101 315</b>		<b>SCREW KIT</b>		<b>Includes pos. 1-2</b>
1	*	4	HEXAGON SOCKET CAP SCREW	M6 x 40	
2	*	10	HEXAGON SOCKET CAP SCREW	M10 x 45	

POS	PART NUMBER	QTY	DESCRIPTION	DETAILS	DETAILS 2
	<b>V100 101 314</b>		<b>SCREW KIT M</b>		<b>Includes pos. 1-2</b>
1	*	4	HEXAGON SOCKET CAP SCREW	M6 x 40 Stainless Steel	
2	*	10	HEXAGON SOCKET CAP SCREW	M10 x 45 Stainless Steel	

POS	PART NUMBER	QTY	DESCRIPTION	DETAILS	DETAILS 2
	<b>V100 101 313</b>		<b>SCREW KIT SUB</b>		<b>Includes pos. 1-2</b>
1	*	4	HEXAGON SOCKET CAP SCREW	M6 x 40 Stainless Steel	
2	*	10	HEXAGON SOCKET CAP SCREW	M10 x 45 Stainless Steel	

POS	PART NUMBER	QTY	DESCRIPTION	DETAILS	DETAILS 2
	<b>V100 101 312</b>		<b>SCREW KIT EX</b>	* / **	<b>Includes pos. 1-2</b>
1	*	4	HEXAGON SOCKET CAP SCREW	M6 x 40 Stainless Steel	
2	*	10	HEXAGON SOCKET CAP SCREW	M10 x 45 Stainless Steel	

POS	PART NUMBER	QTY	DESCRIPTION	DETAILS	DETAILS 2
	<b>V100 101 311</b>		<b>SCREW KIT AB</b>		<b>Includes pos. 1-2</b>
1	*	4	HEXAGON SOCKET CAP SCREW	M6 x 40	
2	*	10	HEXAGON SOCKET CAP SCREW	M10 x 45	

\* Not sold separately. Available only in kit or assembly described above or presented in separate part list.  
Read Details 2

\* EX II 2 GD c T6

\*\* EX I M2 c II 2 GD c T6

**! NOTE! Tightening torques can be found in user manual.**





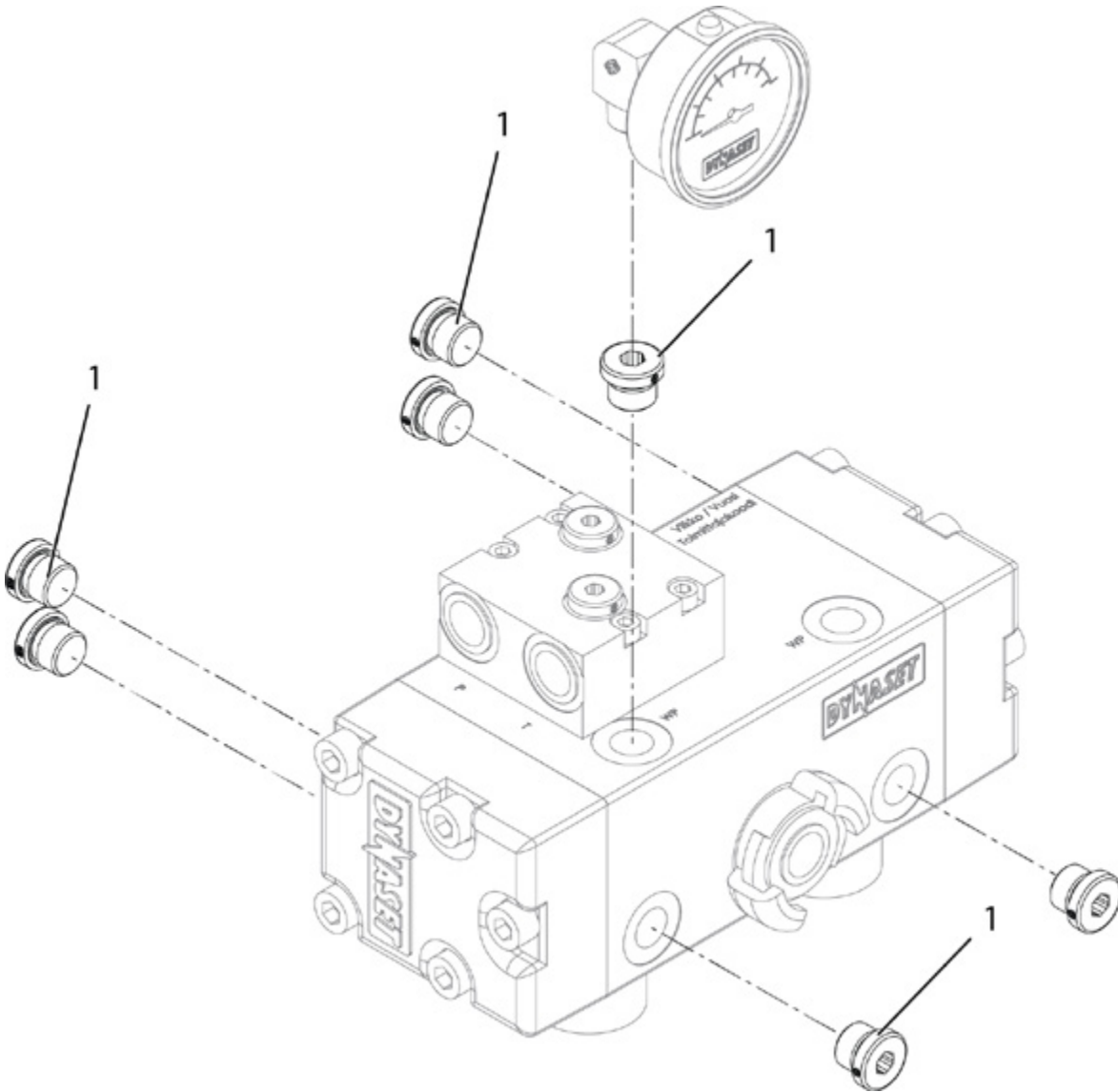
POS	PART NUMBER	QTY	DESCRIPTION	DETAILS	DETAILS 2
	<b>V100 101 155</b>		<b>SEAL KIT</b>		<b>Includes pos. 1-9</b>
1	*	2	O-RING	17 x 2	
2	*	4	O-RING	27 x 2	
3	*	4	O-RING	20,3 x 2,62	
4	*	3	O-RING	57 x 3	
5	*	4	O-RING	34,52 x 3,53	
6	*	2	O-RING	34,52 x 3,53	
7	*	2	WATER PISTON SEAL	1T	
8	*	4	WATER PISTON SEAL	2T	
9	*	1	PISTON SEAL ASSEMBLY	D55	

POS	PART NUMBER	QTY	DESCRIPTION	DETAILS	DETAILS 2
	<b>V100 101 156</b>		<b>SEAL KIT HOT</b>		<b>Includes pos. 1-9</b>
1	*	2	O-RING	17 x 2	
2	*	4	O-RING	27 x 2	Green for water
3	*	4	O-RING	20,3 x 2,62	Green for water
4	*	3	O-RING	57 x 3	
5	*	4	O-RING	34,52 x 3,53	
6	*	2	O-RING	34,52 x 3,53	Green for water
7	*	2	WATER PISTON SEAL	1T	
8	*	4	WATER PISTON SEAL	2T	
9	*	1	PISTON SEAL ASSEMBLY	D55	

POS	PART NUMBER	QTY	DESCRIPTION	DETAILS	DETAILS 2
	<b>V100 101 150</b>		<b>PISTON SEAL KIT</b>		<b>Includes pos. 9-10</b>
9	*	1	PISTON SEAL ASSEMBLY	D55	
10	*	1	PISTON SEAL ASSEMBLY	D18	

\* Not sold separately. Available only in kit or assembly described above or presented in separate part list.  
Read Details 2

### 10. PLUG KIT



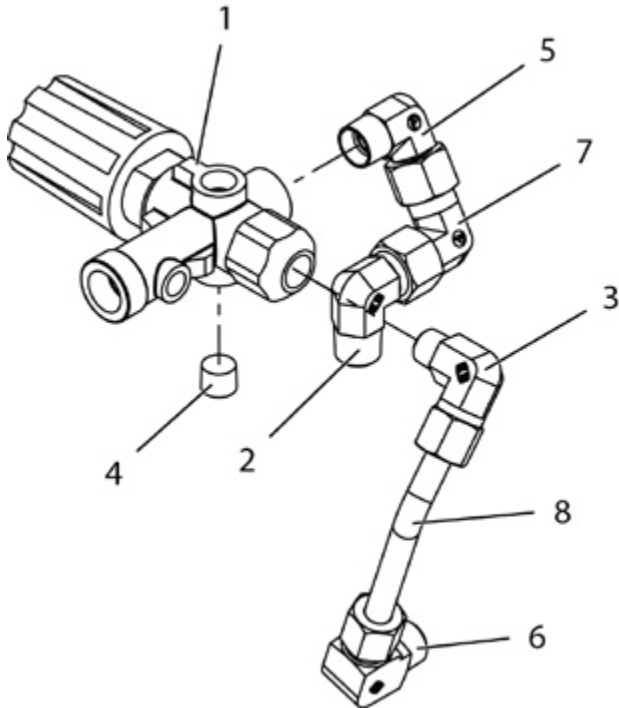


## SPARE PARTS

POS	PART NUMBER	QTY	DESCRIPTION	DETAILS	DETAILS 2
	<b>V100 101 162</b>		<b>PLUG KIT</b>		<b>Includes pos. 1</b>
1	*	7	HEXAGON SOCKET CAP PLUG	R3/8	
POS	PART NUMBER	QTY	DESCRIPTION	DETAILS	DETAILS 2
	<b>V100 101 163</b>		<b>PLUG KIT - M</b>		<b>Includes pos. 1</b>
1	*	7	HEXAGON SOCKET CAP PLUG	R3/8	Stainless steel
POS	PART NUMBER	QTY	DESCRIPTION	DETAILS	DETAILS 2
	<b>V100 101 164</b>		<b>PLUG KIT - SUB</b>		<b>Includes pos. 1</b>
1	*	7	HEXAGON SOCKET CAP PLUG	R3/8	Stainless steel

\* Not sold separately. Available only in kit or assembly described above or presented in separate part list.  
Read Details 2

## 11. UNLOADER VALVE



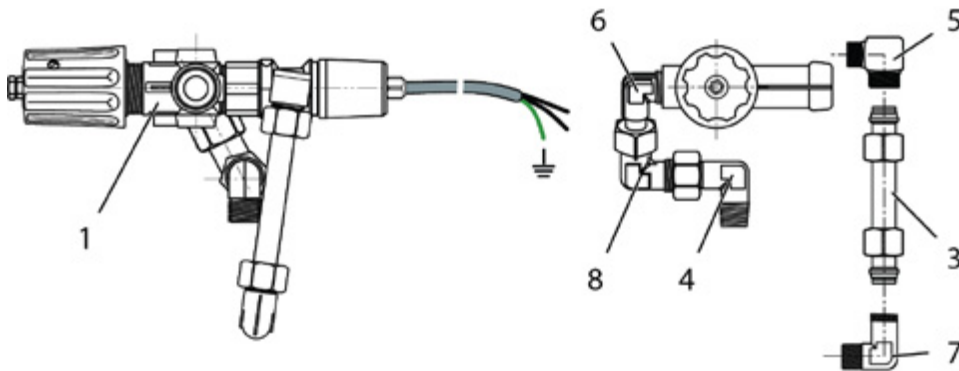
POS	PART NUMBER	QTY	DESCRIPTION	DETAILS	DETAILS 2
	<b>V100 102 800</b>		<b>UNLOADER VALVE KIT</b>		<b>Includes pos. 1-8</b>
1	V100 102 801	1	UNLOADER VALVE	200 bar - 30 lpm	Includes pos. 3-5
2	*	1	ELBOW FITTING	12L RK3/8	
3	*	1	ELBOW FITTING	10L RK1/4	
4	*	1	HEXAGON SOCKET CAP PLUG	RK1/4	
5	*	1	ELBOW FITTING	RK3/8	
6	*	1	ELBOW FITTING	10L RK3/8	
7	*	1	SWIVEL ELBOW FITTING	12 L	
8	V100 101 319	1	BY-PASS PIPE		
	<b>V100 101 316</b>		<b>UNLOADER VALVE INSTALLATION KIT</b>	<b>Unloader valve not included</b>	<b>Includes pos. 2, 3, 5, 6, 7, 8</b>
	<b>V100 102 808</b>		<b>UNLOADER VALVE REPAIR KIT CHECK VALVE</b>	<b>Includes check valve</b>	
	<b>V100 102 807</b>		<b>UNLOADER VALVE REPAIR KIT SPOOL</b>		

\* Not sold separately. Available only in kit or assembly described above or presented in separate part list.  
Read Details 2

**SPARE PARTS**

POS	PART NUMBER	QTY	DESCRIPTION	DETAILS	DETAILS 2
	<b>V100 102 802</b>		<b>UNLOADER VALVE KIT - M</b>	<b>ST-M</b>	<b>Includes pos. 1-8</b>
1	V100 102 801	1	UNLOADER VALVE	200 bar - 30 lpm	Includes pos. 3-5
2	*	1	ELBOW FITTING	12L RK3/8 Stainless Steel	
3	*	1	ELBOW FITTING	10L RK1/4 Stainless Steel	
4	*	1	HEXAGON SOCKET CAP PLUG	RK1/4 Stainless Steel	
5	*	1	ELBOW FITTING	RK3/8 Stainless Steel	
6	*	1	ELBOW FITTING	10L RK3/8 Stainless Steel	
7	*	1	SWIVEL ELBOW FITTING	12 L Stainless Steel	
8	V100 101 321	1	BY-PASS PIPE	Stainless Steel	
	<b>V100 101 318</b>		<b>UNLOADER VALVE INSTALLATION KIT ST-M</b>	<b>Unloader valve not included</b>	<b>Includes pos. 2, 3, 5, 6, 7, 8</b>
	<b>V100 102 808</b>		<b>UNLOADER VALVE REPAIR KIT CHECK VALVE</b>	<b>Includes check valve</b>	
	<b>V100 102 807</b>		<b>UNLOADER VALVE REPAIR KIT SPOOL</b>		

\* Not sold separately. Available only in kit or assembly described above or presented in separate part list.  
Read Details 2

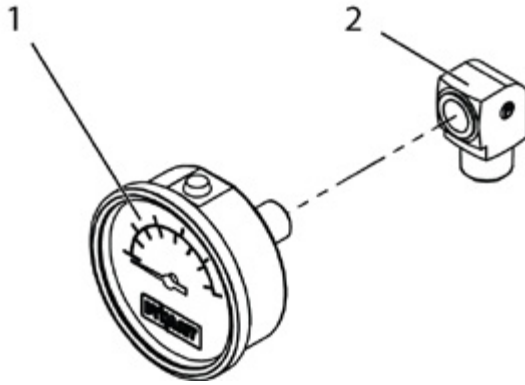


POS	PART NUMBER	QTY	DESCRIPTION	DETAILS	DETAILS 2
	<b>V100 102 806</b>		<b>UNLOADER VALVE KIT - E</b>	ST-E	<b>Includes pos. 1-8</b>
1	V100 102 805	1	UNLOADER VALVE	ST-E	Inculdes pos. 2, 5-6
2	*	2	HEXAGON SOCKET CAP PLUG		
3	V100 101 320	1	BY-PASS PIPE	ST-E	
4	*	1	ELBOW FITTING	12L RK3/8	
5	*	1	ADJUSTABLE ELBOW FITTING	10L RK1/4	
6	*	1	ELBOW FITTING	RK3/8	
7	*	1	ELBOW FITTING	10L RK3/8	
8	*	1	SWIVEL ELBOW FITTING	12 L	
	<b>V100 101 317</b>		<b>UNLOADER VALVE INSTALLATION KIT</b>	ST-E	<b>Includes pos. 3-8</b>
	<b>V100 102 808</b>		<b>UNLOADER VALVE REPAIR KIT CHECK VALVE</b>	<b>Includes check valve</b>	
	<b>V100 102 807</b>		<b>UNLOADER VALVE REPAIR KIT SPOOL</b>		
	V100 102 809		MICRO SWITCH		

\* Not sold separately. Available only in kit or assembly described above or presented in separate part list.  
Read Details 2



## 12. PRESSURE GAUGE



POS	PART NUMBER	QTY	DESCRIPTION	DETAILS	DETAILS 2
	V100 101 166		PRESSURE GAUGE KIT		Includes pos. 1-2
1	V100 101 165	1	PRESSURE GAUGE	D63 - 250 bar	
2	*	1	ELBOW		

\* Not sold separately. Available only in kit or assembly described above or presented in separate part list.  
Read Details 2