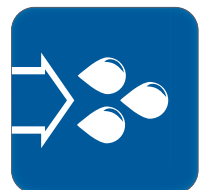


SPARE PARTS HIGH PRESSURE WATER PUMPS



HPW 250 /30-40

HPW250_30-40_Spare_Parts_MEA-IPL 1.0

Mobile Energy Australia
P: +61 3273 6803

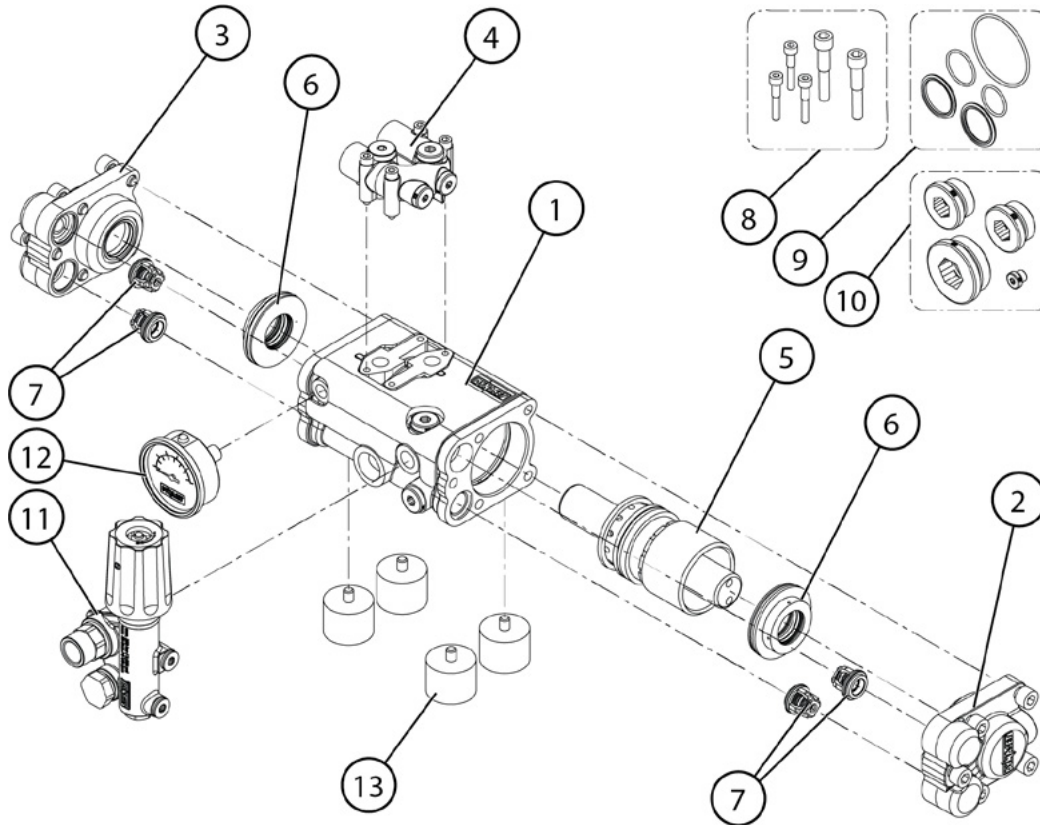
39 Dulacca Street, Acacia Ridge QLD 4110 Australia
E: sales@mobileenergyaustralia.com.au

ABN 40 218 849 719
www.mobileenergyaustralia.com.au

SPARE PARTS

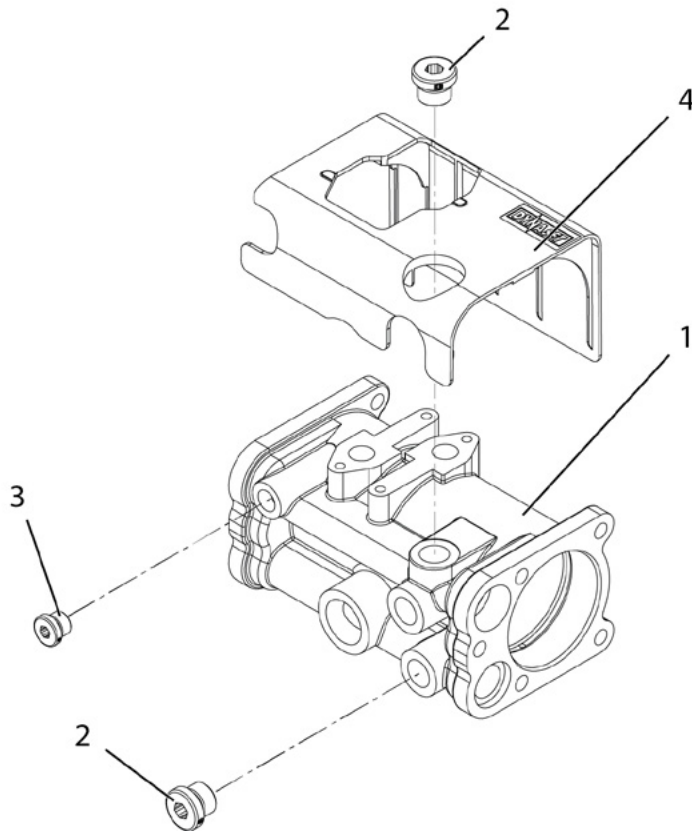
MAIN COMPONENTS	3
1. CENTER BODY	4
2. HEAD RIGHT	5
3. HEAD LEFT	6
4. PT BLOCK KIT	7
5. PISTON	9
6. SEAL FLANGE	10
7. WATER VALVE	11
8. SCREW KIT	12
9. SEAL KIT	14
10. PLUG KIT	16
11. UNLOADER VALVE	17

MAIN COMPONENTS



POS	PART NUMBER	QTY	DESCRIPTION	DETAILS	DETAILS 2
1		1	CENTER BODY		See separate part list
2		1	HEAD RIGHT		See separate part list
3		1	HEAD LEFT		See separate part list
4		1	PT BLOCK KIT		See separate part list
5		1	PISTON KIT		See separate part list
6		2	SEAL FLANGE KIT		See separate part list
7		2	WATER VALVE KIT		See separate part list
8			SCREW KIT		See separate part list
9			SEAL KIT		See separate part list
10			PLUG KIT		See separate part list
11			UNLOADER VALVE		See separate part list
12	V100 1242 60	1	PRESSURE GAUGE		
13	V100 100 001	1	RUBBER CUSHION KIT	D40 / H30 - M8	

1. CENTER BODY



POS	PART NUMBER	QTY	DESCRIPTION	DETAILS	DETAILS 2
1	V100 124 060	1	CENTER BODY	D63	Includes pos. 2-3
2	*	2	HEXAGON SOCKET CAP PLUG	R3/8	
3	*	1	HEXAGON SOCKET CAP PLUG	R1/4	

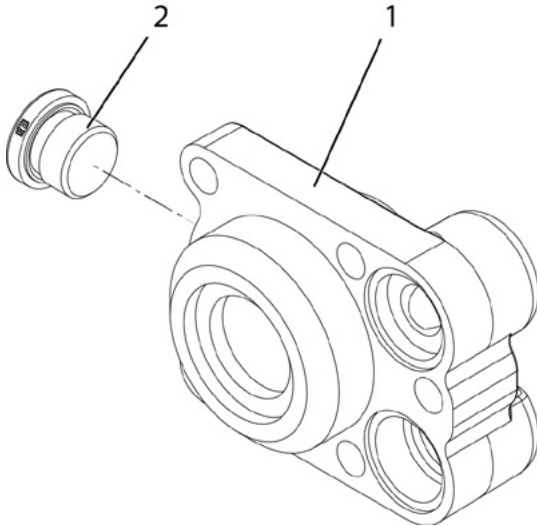
POS	PART NUMBER	QTY	DESCRIPTION	DETAILS	DETAILS 2
1	V100 124 080	1	CENTER BODY - M	D63	Includes pos. 2-3
2	*	2	HEXAGON SOCKET CAP PLUG	R3/8	Stainless Steel
3	*	1	HEXAGON SOCKET CAP PLUG	R1/4	Stainless Steel

POS	PART NUMBER	QTY	DESCRIPTION	DETAILS	DETAILS 2
4	V100 124 000	1	HOUSING		

* Not sold separately. Available only in kit or assembly described above or presented in separate part list.
Read Details 2

Plugs are also available in Plug kit, see page 16.

2. HEAD RIGHT



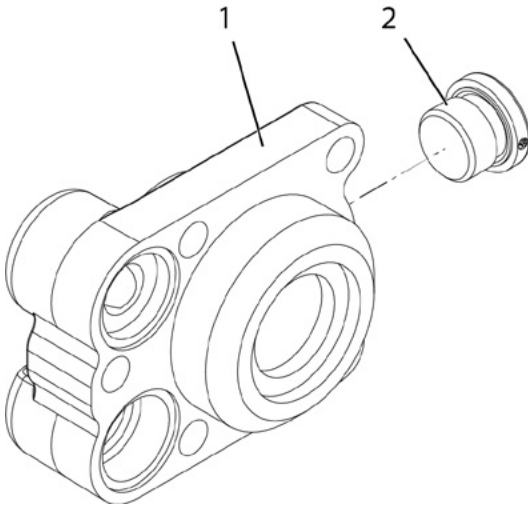
POS	PART NUMBER	QTY	DESCRIPTION	DETAILS	DETAILS 2
1	V100 124 100	1	HEAD RIGHT	D63	Includes pos. 2
2	*	1	HEXAGON SOCKET CAP PLUG	R1/2	

POS	PART NUMBER	QTY	DESCRIPTION	DETAILS	DETAILS 2
1	V100 124 120	1	HEAD RIGHT - M	D63	Includes pos. 2
2	*	1	HEXAGON SOCKET CAP PLUG	R1/2	Stainless Steel

* Not sold separately. Available only in kit or assembly described above or presented in separate part list.
Read Details 2

Plugs are also available in Plug kit, see page 16.

3. HEAD LEFT



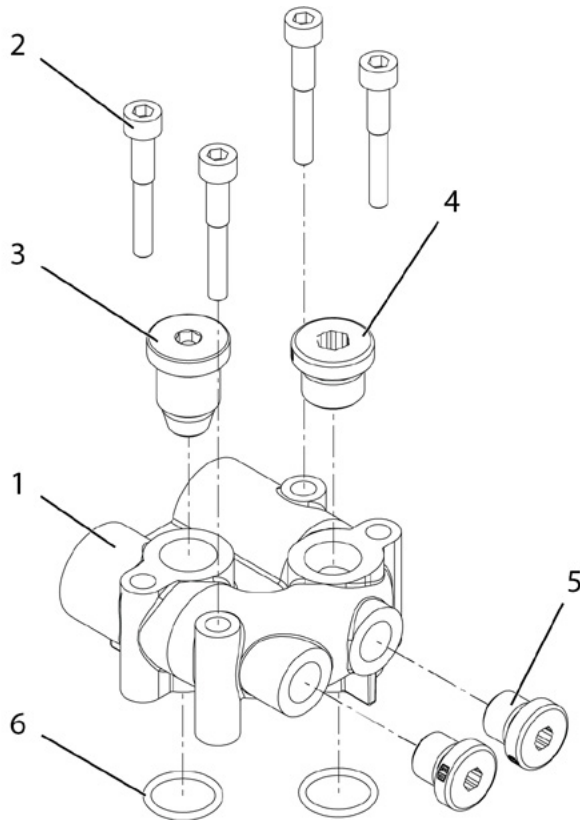
POS	PART NUMBER	QTY	DESCRIPTION	DETAILS	DETAILS 2
1	V100 124 140	1	HEAD LEFT	D63	Includes pos. 2
2	*	1	HEXAGON SOCKET CAP PLUG	R1/2	

POS	PART NUMBER	QTY	DESCRIPTION	DETAILS	DETAILS 2
1	V100 124 160	1	HEAD LEFT - M	D63	Includes pos. 2
2	*	1	HEXAGON SOCKET CAP PLUG	R1/2	Stainless Steel

* Not sold separately. Available only in kit or assembly described above or presented in separate part list.
Read Details 2

Plugs are also available in Plug kit, see page 16.

4. PT BLOCK KIT

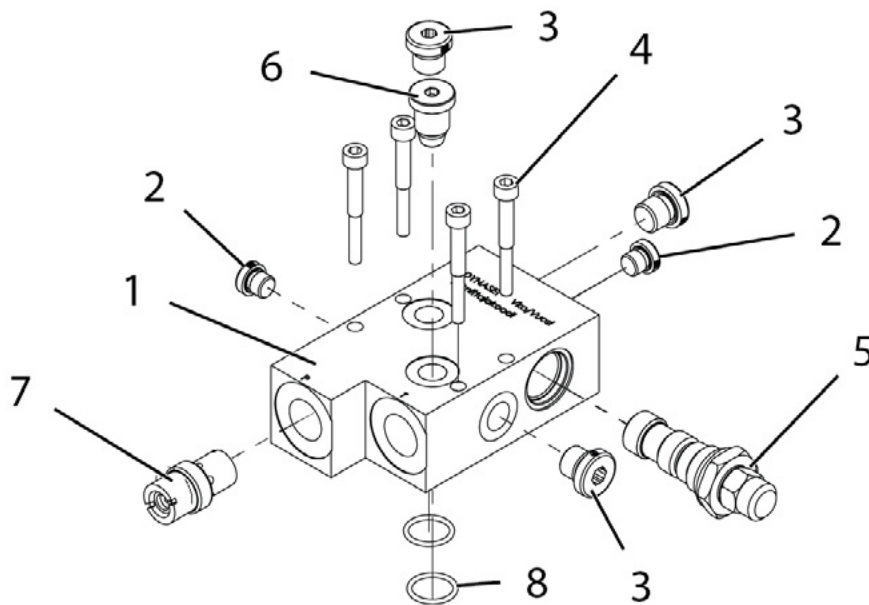


POS	PART NUMBER	QTY	DESCRIPTION	DETAILS	DETAILS 2
	V100 124 020		PT BLOCK KIT		Includes pos. 1-6
1	*	1	PT BLOCK	R1/2	
2	*	4	HEXAGON SOCKET CAP SCREW	M6x40	
3	V100 100 510	1	MINIMUM PRESSURE VALVE	1/2"	
4	*	1	HEXAGON SOCKET CAP PLUG	R3/8	
5	*	2	HEXAGON SOCKET CAP PLUG	R1/4	
6	*	2	O-RING	17 x 2	

POS	PART NUMBER	QTY	DESCRIPTION	DETAILS	DETAILS 2
	V100 124 040		PT BLOCK KIT - M	Without minimum pressure valve	Includes pos. 1-6
1	*	1	PT BLOCK	R1/2	
2	*	4	HEXAGON SOCKET CAP SCREW	M6x40	Stainless Steel
4	*	1	HEXAGON SOCKET CAP PLUG	R3/8	Stainless Steel
5	*	2	HEXAGON SOCKET CAP PLUG	R1/4	Stainless Steel
6	*	2	O-RING	17 x 2	

* Not sold separately. Available only in kit or assembly described above or presented in separate part list.
Read Details 2

Screws are also available in Screw kit, see page 12.
O-rings are also available in Seal kit, see page 14.
Plugs are also available in Plug kit, see page 16.



POS	PART NUMBER	QTY	DESCRIPTION	DETAILS	DETAILS 2
1	V100 100 520		PT BLOCK - VR - PA **	R1/2-VR-PA with Minimum pressure valve	Includes pos. 2-8
2	*	2	HEXAGON SOCKET CAP PLUG	R1/8	
3	*	3	HEXAGON SOCKET CAP PLUG	R1/4	
4	*	4	HEXAGON SOCKET CAP SCREW	M6x50	
5	*	1	PRESSURE REDUCING VALVE CARTRIDGE	315/70-210 40 lpm	
6	V100 100 510	1	MINIMUM PRESSURE VALVE		
7	*	1	FLOW LIMITER CARTRIDGE	R1/2 - 40 lpm	
8	*	2	O-RING		

* Not sold separately. Available only in kit or assembly described above or presented in separate part list.
Read Details 2

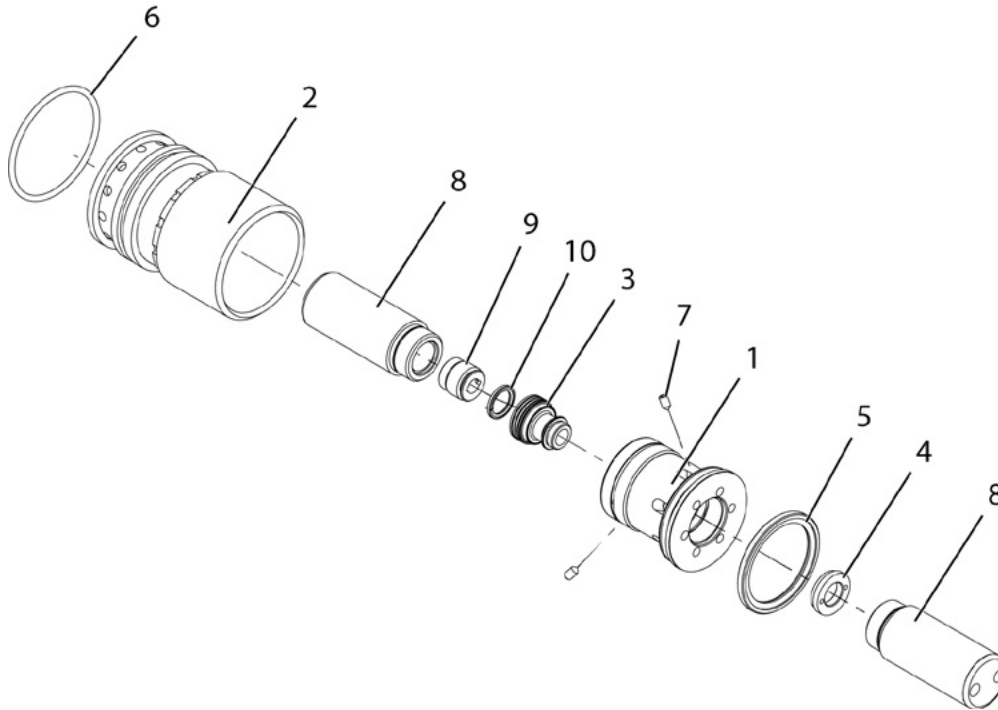
** NOTE! Maximum pressure 210 bar.

Screws are also available in Screw kit, see page 12.

O-rings are also available in Seal kit, see page 14.

Plugs are also available in Plug kit, see page 16.

5. PISTON

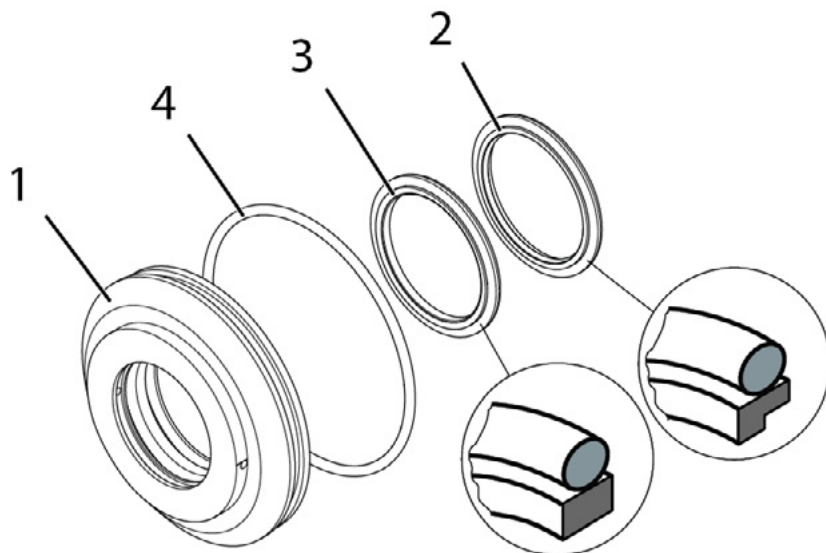


POS	PART NUMBER	QTY	DESCRIPTION	DETAILS	DETAILS 2
	V100 124 320		PISTON KIT	Piston kit includes 2 Secondary pistons	Includes pos. 1-10
1	*	1	HYDRAULIC PISTON	D55 / d44,3	
2	*	1	CYLINDER LINER	D55 / d44,3	
3	*	1	VALVE SPOOL	24/25	
4	*	1	VALVE SEAT	23,2/5,5	
5	*	1	PISTON SEAL	D55	
6	*	1	O-RING	57 x 3	
7	*	2	SET SCREW	M5 x 10	
8	V100 124 360	1	SECONDARY PISTON	D30	
9	V100 124 340	1	REVERSAL VALVE GUIDE	M55	Includes pos. 10
10	*	1	PISTON SEAL ASSEMBLY	D18	
	V100 124 300		HYDRAULIC PISTON KIT		Includes pos. 1-7

* Not sold separately. Available only in kit or assembly described above or presented in separate part list.
Read Details 2

O-rings and seals are also available in Seal kit, see page 14.

6. SEAL FLANGE

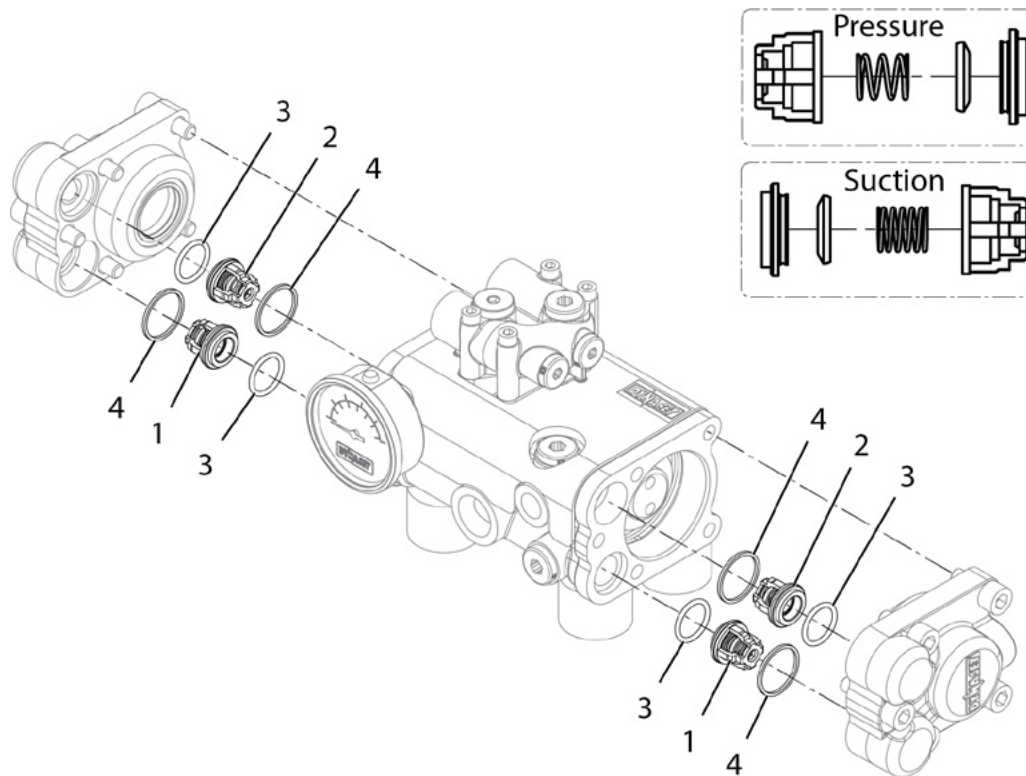


POS	PART NUMBER	QTY	DESCRIPTION	DETAILS	DETAILS 2
	V100 124 400		SEAL FLANGE KIT	D63 / d30	Includes pos. 1-4
1	V100 124 380	1	FLANGE BODY		
2	*	1	ROD SEAL	1T	Includes O-ring
3	*	1	ROD SEAL	2T	Includes O-ring
4	*	1	O-RING	57	

* Not sold separately. Available only in kit or assembly described above or presented in separate part list.
Read Details 2

O-rings and seals are also available in Seal kit, see page 12.

7. WATER VALVE



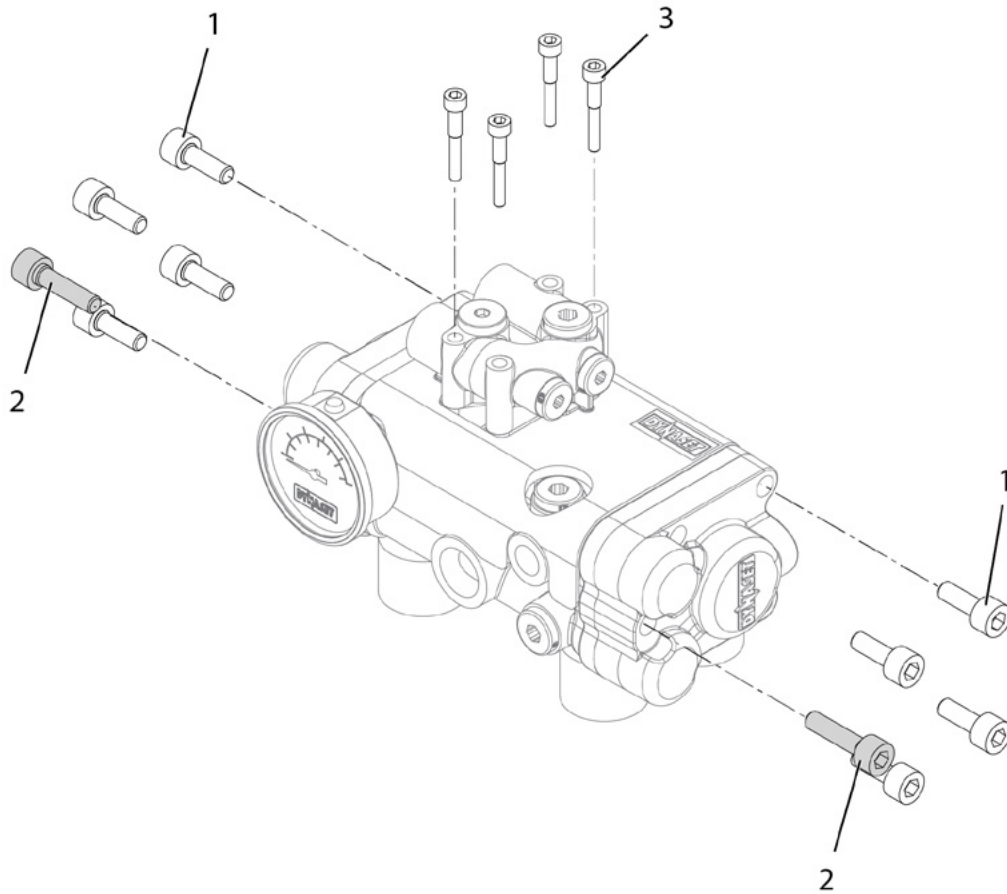
NOTE! The pressure valve's spring (2) has less turns than the suction valve's (1) spring.

POS	PART NUMBER	QTY	DESCRIPTION	DETAILS	DETAILS 2
	V100 124 280		WATER VALVE KIT		Includes pos. 1-4
1	*	2	WATER VALVE	Suction	
2	*	2	WATER VALVE	Pressure	
3	*	4	O-RING	20,3	
4	*	4	SEAL	26,7 x 1,68	

* Not sold separately. Available only in kit or assembly described above or presented in separate part list.
Read Details 2

O-rings are also available in Seal kit, see page 14.

8. SCREW KIT



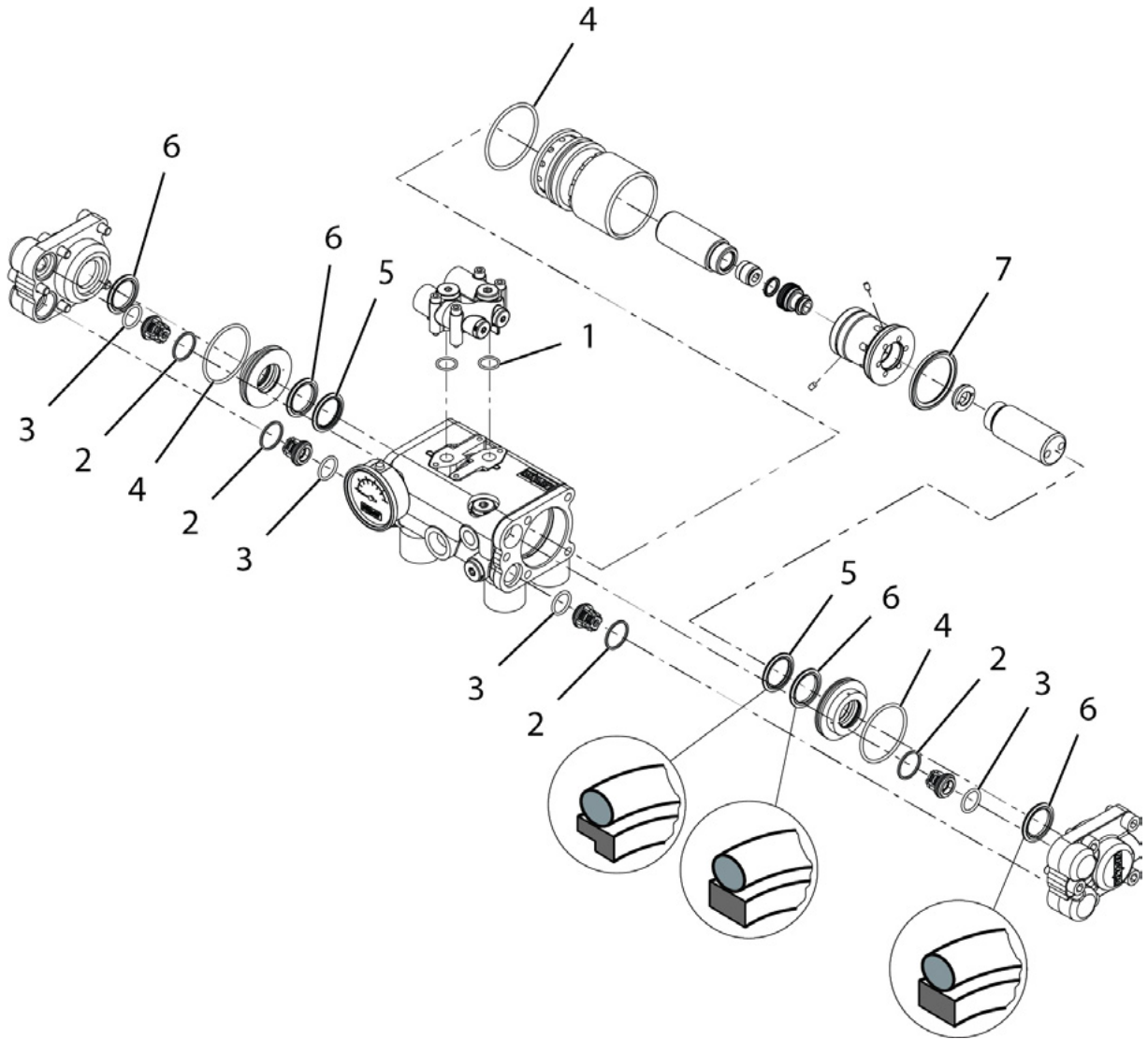
POS	PART NUMBER	QTY	DESCRIPTION	DETAILS	DETAILS 2
	V100 124 220		SCREW KIT		Includes pos. 1-3
1	*	8	HEXAGON SOCKET CAP SCREW	M10 x 25	
2	*	2	HEXAGON SOCKET CAP SCREW	M10 x 35	
3	*	4	HEXAGON SOCKET CAP SCREW	M6 x 40	

POS	PART NUMBER	QTY	DESCRIPTION	DETAILS	DETAILS 2
	V100 124 240		SCREW KIT - M		Includes pos. 1-3
1	*	8	HEXAGON SOCKET CAP SCREW	M10 x 25	Stainless Steel
2	*	2	HEXAGON SOCKET CAP SCREW	M10 x 35	Stainless Steel
3	*	4	HEXAGON SOCKET CAP SCREW	M6 x 40	Stainless Steel

* Not sold separately. Available only in kit or assembly described above or presented in separate part list.
Read Details 2

 **NOTE! Tightening torques can be found in user manual.**

9. SEAL KIT



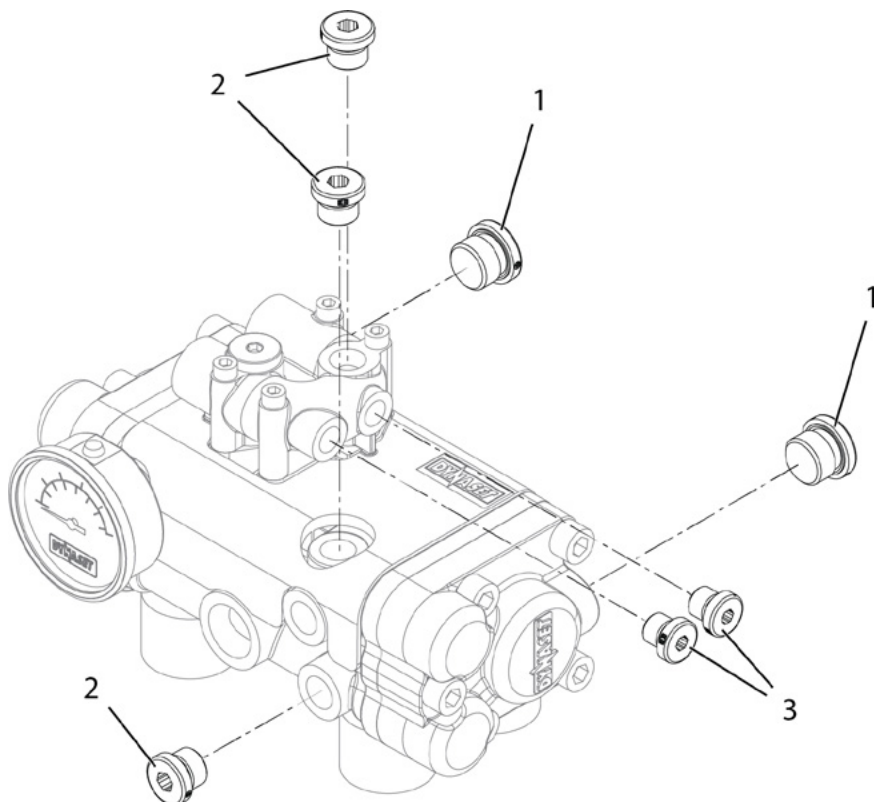
SPARE PARTS

POS	PART NUMBER	QTY	DESCRIPTION	DETAILS	DETAILS 2
	V100 124 420		SEAL KIT		Includes pos. 1-7
1	*	2	O-RING	17 x 2	
2	*	4	SEAL	26,7 x 1,68	
3	*	4	O-RING	20,3 x 2,62	
4	*	3	O-RING	57 x 3	
5	*	2	ROD SEAL	1T	Includes o-ring
6	*	4	ROD SEAL	2T	Includes o-ring
7	*	1	PISTON SEAL	D55	

POS	PART NUMBER	QTY	DESCRIPTION	DETAILS	DETAILS 2
	V100 124 440		SEAL KIT - HOT		Includes pos. 1-7
1	*	2	O-RING	17 x 2	
2	*	4	SEAL	26,7 x 1,68	
3	*	4	O-RING	20,3 x 2,62	
4	*	3	O-RING	57 x 3	
5	*	2	ROD SEAL	1T	Includes o-ring
6	*	4	ROD SEAL	2T	Includes o-ring
7	*	1	PISTON SEAL	D55	

* Not sold separately. Available only in kit or assembly described above or presented in separate part list.
Read Details 2

10. PLUG KIT

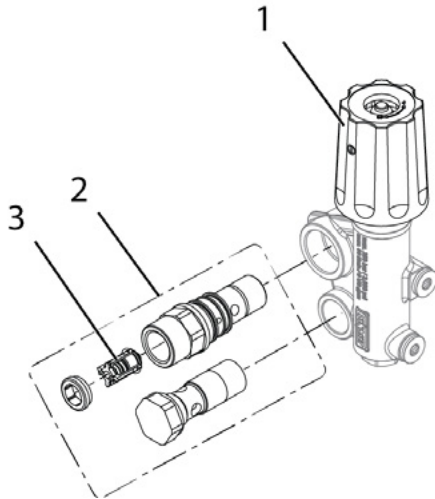


POS	PART NUMBER	QTY	DESCRIPTION	DETAILS	DETAILS 2
	V100 124 180		PLUG KIT		Includes pos. 1-3
1	*	2	HEXAGON SOCKET CAP PLUG	R1/2	
2	*	3	HEXAGON SOCKET CAP PLUG	R3/8	
3	*	2	HEXAGON SOCKET CAP PLUG	R1/4	

POS	PART NUMBER	QTY	DESCRIPTION	DETAILS	DETAILS 2
	V100 124 200		PLUG KIT - M		Includes pos. 1-3
1	*	2	HEXAGON SOCKET CAP PLUG	R1/2	Stainless steel
2	*	3	HEXAGON SOCKET CAP PLUG	R3/8	Stainless steel
3	*	2	HEXAGON SOCKET CAP PLUG	R1/4	Stainless steel

* Not sold separately. Available only in kit or assembly described above or presented in separate part list.
Read Details 2

11. UNLOADER VALVE



POS	PART NUMBER	QTY	DESCRIPTION	DETAILS	DETAILS 2
	V100 124 450	1	UNLOADER VALVE	Complete	
	V100 124 455	1	UNLOADER VALVE - M	Complete	
1	V100 124 500	1	UNLOADER VALVE REPAIR KIT	Handgrip	
2	V100 124 520	1	UNLOADER VALVE REPAIR KIT	Banjo Kit	Includes O-Rings and Check Valve
3	V100 124 480	1	UNLOADER VALVE REPAIR KIT	Check Valve	