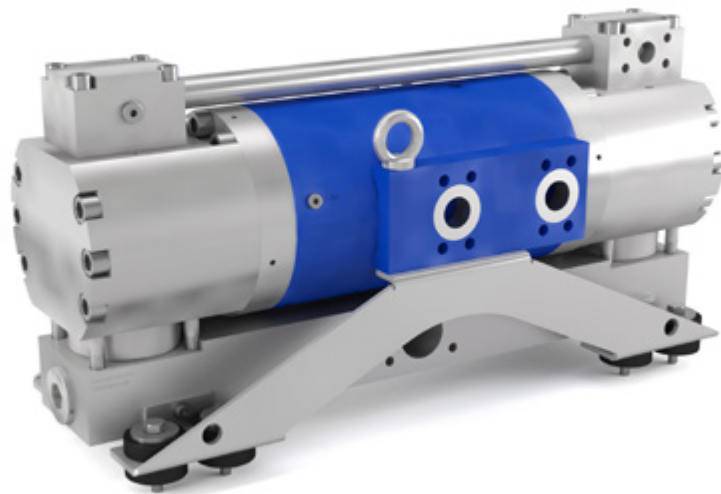
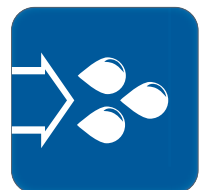




**POWERED BY HYDRAULICS**



## **SPARE PARTS HIGH PRESSURE WATER PUMPS**



**HPW 300 /300-350**

HPW300\_300-350\_Spare\_Parts\_MEA-PL1.0

Mobile Energy Australia  
P: +61 3273 6803

39 Dulacca Street, Acacia Ridge QLD 4110 Australia  
E: sales@mobileenergyaustralia.com.au

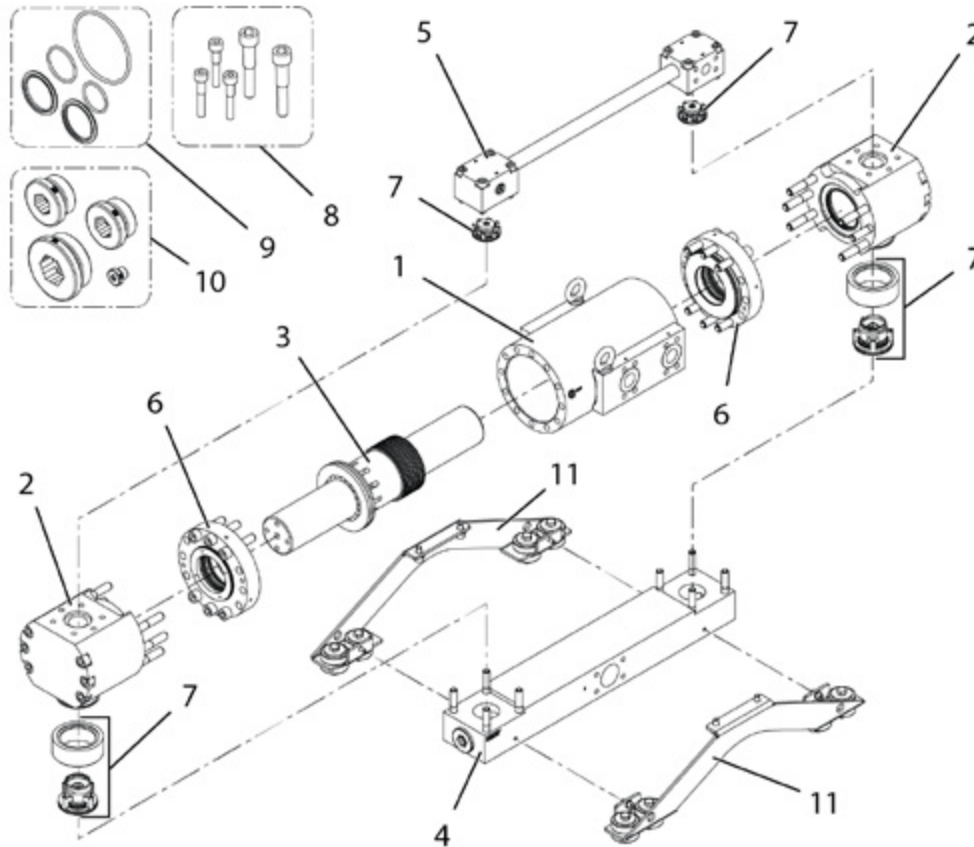
ABN 40 218 849 719  
www.mobileenergyaustralia.com.au



SPARE PARTS

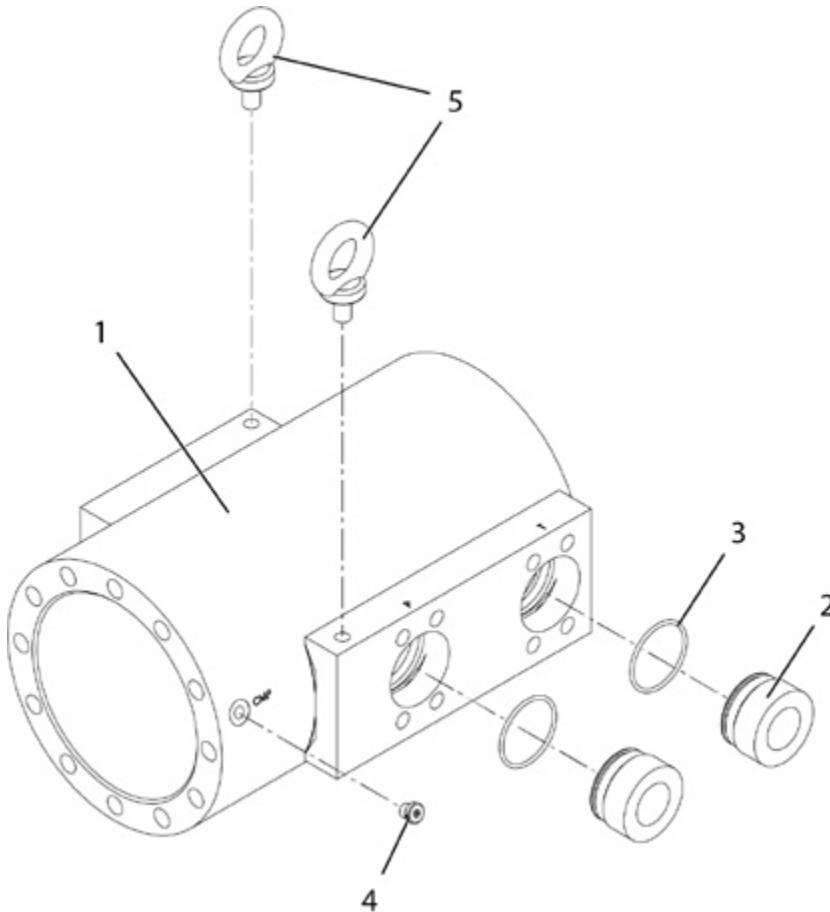
<b>MAIN COMPONENTS</b>	<b>3</b>
1. <b>CENTER BODY</b> .....	<b>4</b>
2. <b>HEAD</b> .....	<b>5</b>
3. <b>PISTON</b> .....	<b>6</b>
4. <b>SUCTION MANIFOLD</b> .....	<b>7</b>
5. <b>PRESSURE MANIFOLD</b> .....	<b>8</b>
6. <b>SEAL FLANGE</b> .....	<b>9</b>
7. <b>WATER VALVE KIT</b> .....	<b>10</b>
8. <b>SCREW KIT</b> .....	<b>12</b>
9. <b>SEAL KIT</b> .....	<b>14</b>
10. <b>PLUG KIT</b> .....	<b>16</b>
11. <b>BRACKET KIT</b> .....	<b>17</b>

## MAIN COMPONENTS



POS	PART NUMBER	QTY	DESCRIPTION	DETAILS	DETAILS 2
1		1	CENTER BODY		See separate part list
2		2	HEAD		See separate part list
3		1	PISTON ASSEMBLY		See separate part list
4		1	SUCTION MANIFOLD		See separate part list
5		1	PRESSURE MANIFOLD		See separate part list
6		2	SEAL FLANGE		See separate part list
7		2	WATER VALVE KIT		See separate part list
8			SCREW KIT		See separate part list
9			SEAL KIT		See separate part list
10			PLUG KIT		See separate part list
11		2	BRACKET KIT	Includes rubber cushions	See separate part list

## 1. CENTER BODY

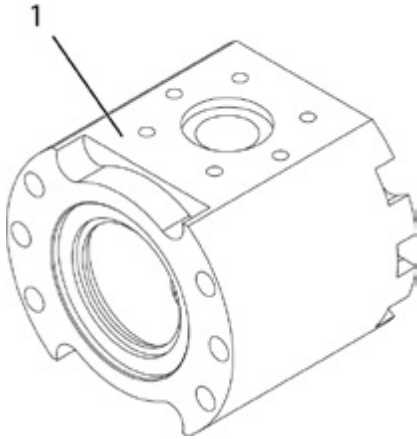


POS	PART NUMBER	QTY	DESCRIPTION	DETAILS	DETAILS 2
	<b>V100 121 060</b>		<b>CENTER BODY ASSEMBLY</b>		<b>Includes pos. 1-5</b>
1	*	1	CENTER BODY	M150	
2	*	2	PORT SLEEVE	M150	
3	*	2	O-RING	47,30 x 2,62	
4	*	1	HEXAGON SOCKET CAP PLUG	R1/8	
5	*	2	LIFTING EYE BOLT	M12	
	<b>V100 121 115</b>		<b>PORT SLEEVE KIT</b>	<b>Kit includes 1 port sleeve and o-ring</b>	<b>Includes pos. 2-3</b>
	<b>V100 121 120</b>		<b>LIFTING EYE BOLT KIT</b>	<b>Kit includes 2 lifting eye bolts</b>	<b>Includes pos. 5</b>

\* Not sold separately. Available only in kit or assembly described above or presented in separate part list.  
Read Details 2

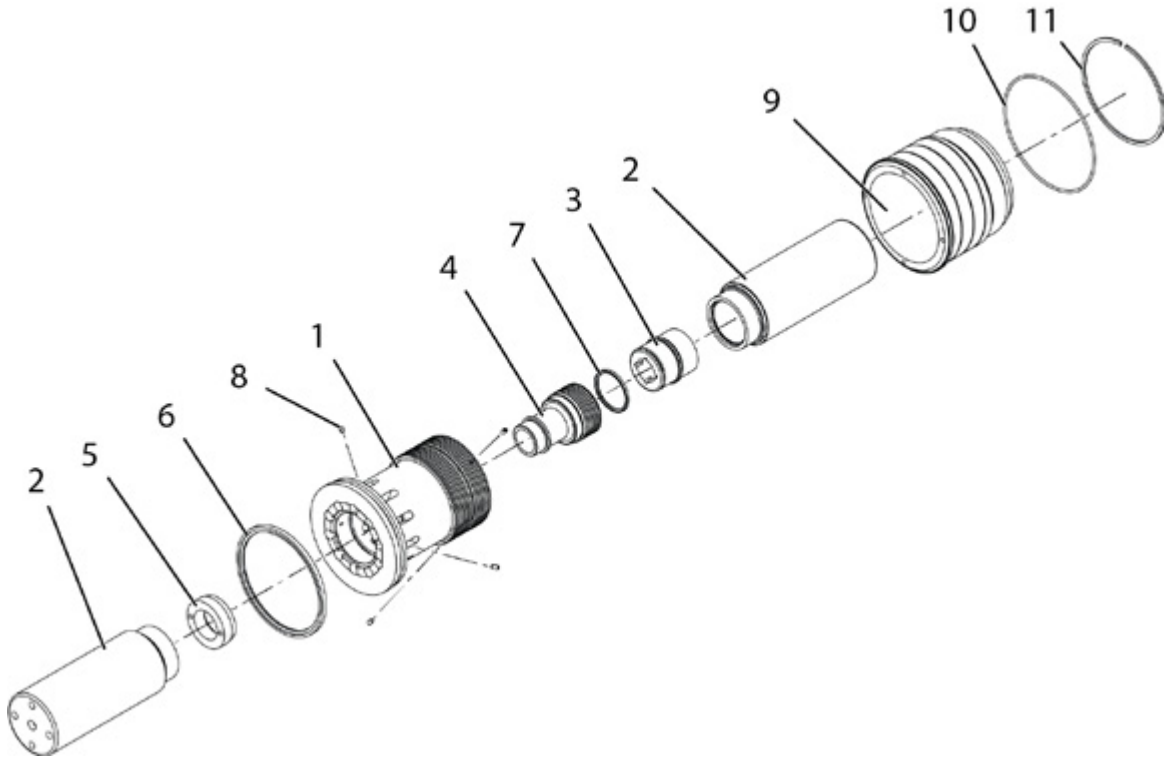
O-rings are also available in Seal kit, see page 14.  
Plugs are also available in Plug kit, see page 16.

## 2. HEAD



POS	PART NUMBER	QTY	DESCRIPTION	DETAILS	DETAILS 2
1	V100 121 050	1	HEAD		

### 3. PISTON



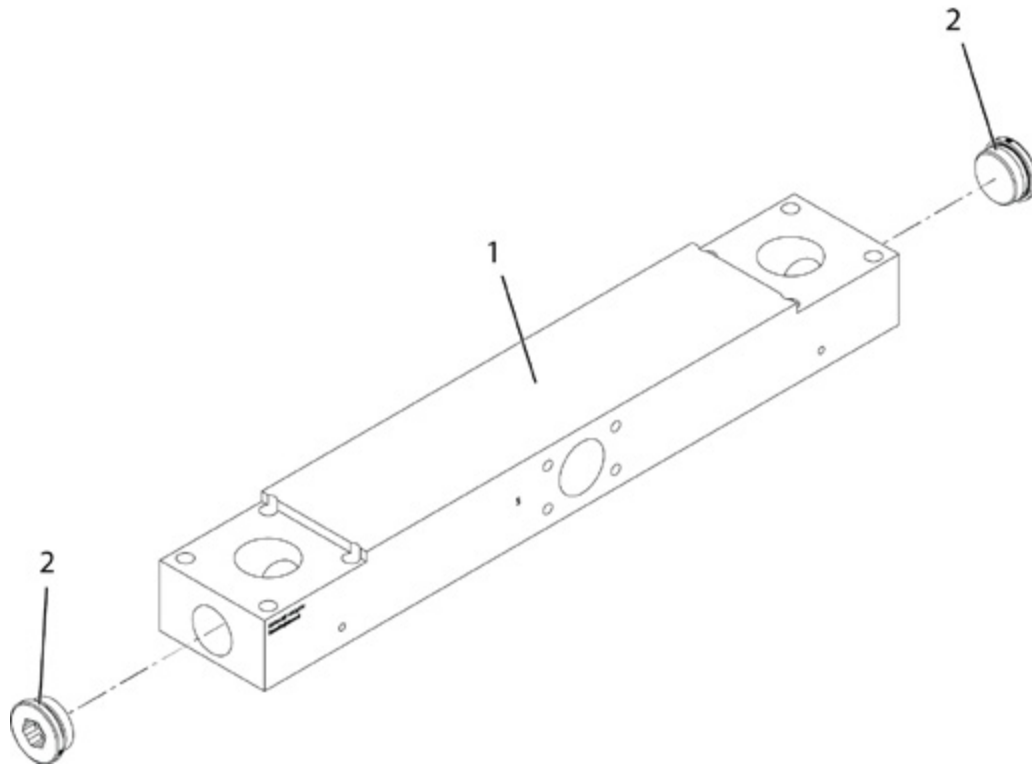
POS	PART NUMBER	QTY	DESCRIPTION	DETAILS	DETAILS 2
	<b>V100 121 010</b>		<b>PISTON KIT</b>	<b>Piston kit includes 2 secondary pistons</b>	<b>Includes pos. 1-11</b>
1	*	1	HYDRAULIC PISTON		
2	V100 101 895	1	SECONDARY PISTON		
3	*	1	REVERSAL VALVE GUIDE	D62	
4	*	1	VALVE SPOOL	M150	
5	*	1	VALVE SEAT	M150	
6	*	1	PISTON SEAL ASSEMBLY	M150	
7	*	1	PISTON SEAL ASSEMBLY	M57	
8	*	4	SET SCREW	M5 x 10	
9	*	1	CYLINDER LINER	M150	
10	*	1	O-RING	149,5 x 3	
11	*	1	LOCK RING	130 x 2,5	
	<b>V100 121 000</b>		<b>HYDRAULIC PISTON KIT</b>		<b>Includes pos. 1, 3-6, 8-11</b>
	<b>V100 121 020</b>		<b>REVERSAL VALVE GUIDE KIT</b>		<b>Includes pos. 3, 7</b>

\* Not sold separately. Available only in kit or assembly described above or presented in separate part list.

Read Details 2

Seals and O-rings are also available in Seal kit, see page 14.

## 4. SUCTION MANIFOLD

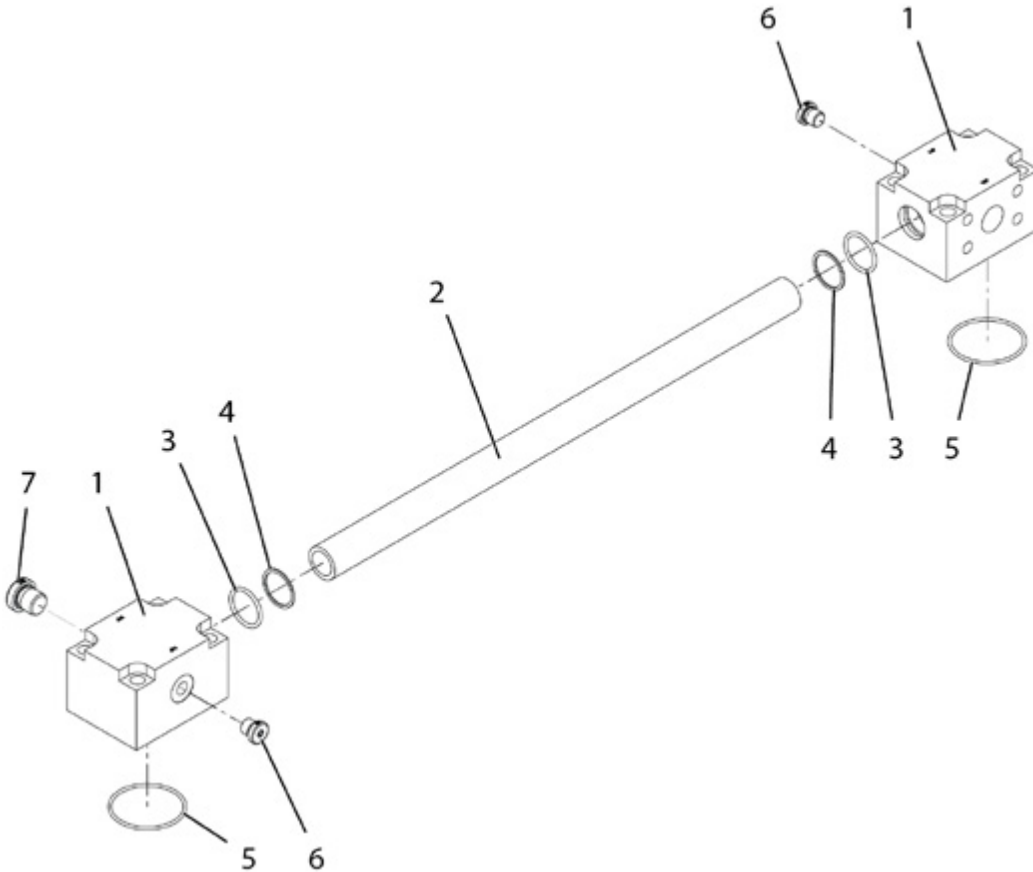


POS	PART NUMBER	QTY	DESCRIPTION	DETAILS	DETAILS 2
	<b>V100 121 040</b>		<b>SUCTION MANIFOLD KIT</b>		<b>Includes pos. 1-2</b>
1	*	1	SUCTION MANIFOLD	SAE 3000 3"	
2	*	2	HEXAGON SOCKET CAP PLUG	R1 1/2	Stainless steel

\* Not sold separately. Available only in kit or assembly described above or presented in separate part list.  
Read Details 2

Plugs are also available in Plug kit, see page 16.

## 5. PRESSURE MANIFOLD



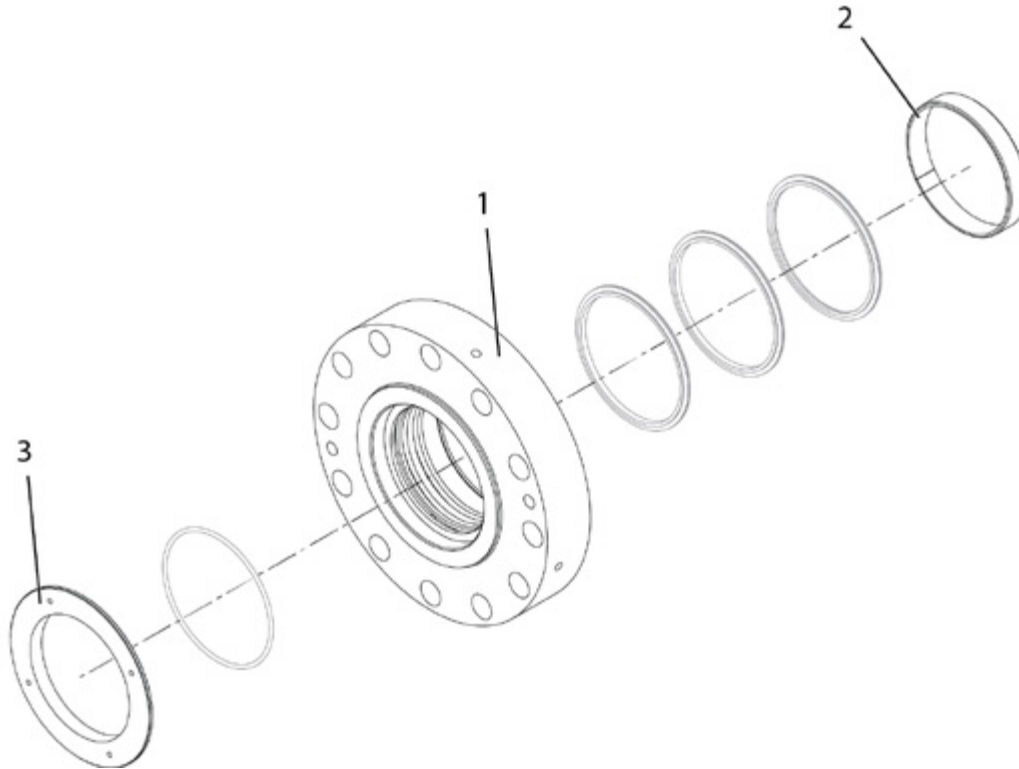
POS	PART NUMBER	QTY	DESCRIPTION	DETAILS	DETAILS 2
	<b>V100 121 030</b>		<b>PRESSURE MANIFOLD KIT</b>		<b>Includes pos. 1-7</b>
1	*	2	PRESSURE MANIFOLD	SAE 6000 1" AIS	
2	V100 121 160	1	PRESSURE PIPE		Stainless steel
3	*	2	O-RING	30,20 x 3	
4	*	2	SUPPORT RING	30/35	
5	*	2	O-RING	58,42 x 2,62	
6	*	2	HEXAGON SOCKET CAP PLUG	R1/4	
7	*	1	HEXAGON SOCKET CAP PLUG	R3/4	
	<b>V100 121 150</b>		<b>PRESSURE BLOCK KIT</b>	<b>One block</b>	<b>Includes pos. 1, 3-6 (one of each)</b>

\* Not sold separately. Available only in kit or assembly described above or presented in separate part list.  
Read Details 2

O-rings are also available in Seal kit, see page 14.  
Plugs are also available in Plug kit, see page 16.



## 6. SEAL FLANGE

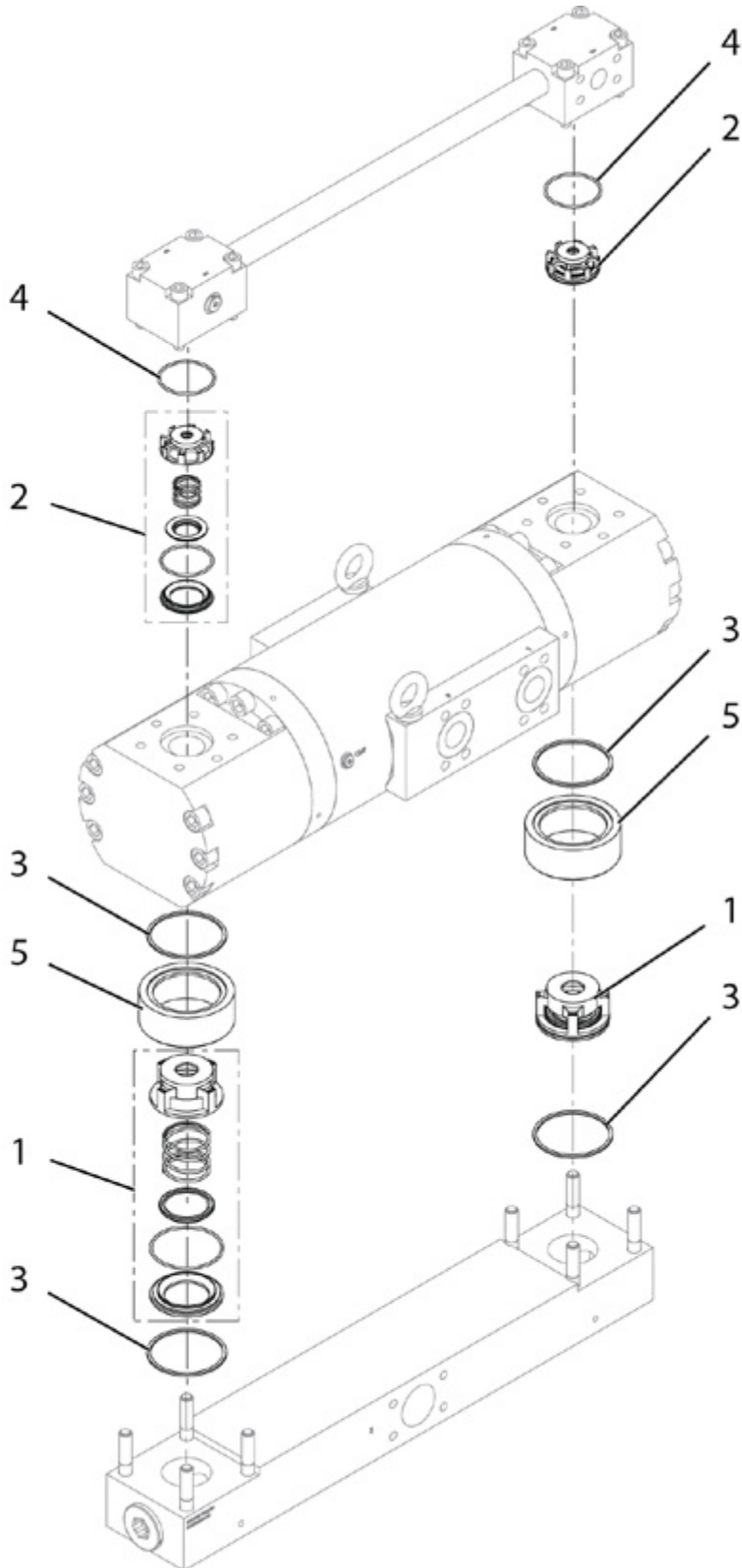


POS	PART NUMBER	QTY	DESCRIPTION	DETAILS	DETAILS 2
	<b>V100 121 070</b>		<b>SEAL FLANGE KIT</b>		<b>Includes pos. 1-3</b>
1	*	1	SEAL FLANGE	D200 / d85	
2	*	1	SLIDE BEARING	D90 / d85	
3	V100 121 080	1	WATER SEAL FLANGE	D95,7 / d85	

\* Not sold separately. Available only in kit or assembly described above or presented in separate part list.  
Read Details 2

Seal is also available in Seal kit, see page 14.

## 7. WATER VALVE KIT



**SPARE PARTS**

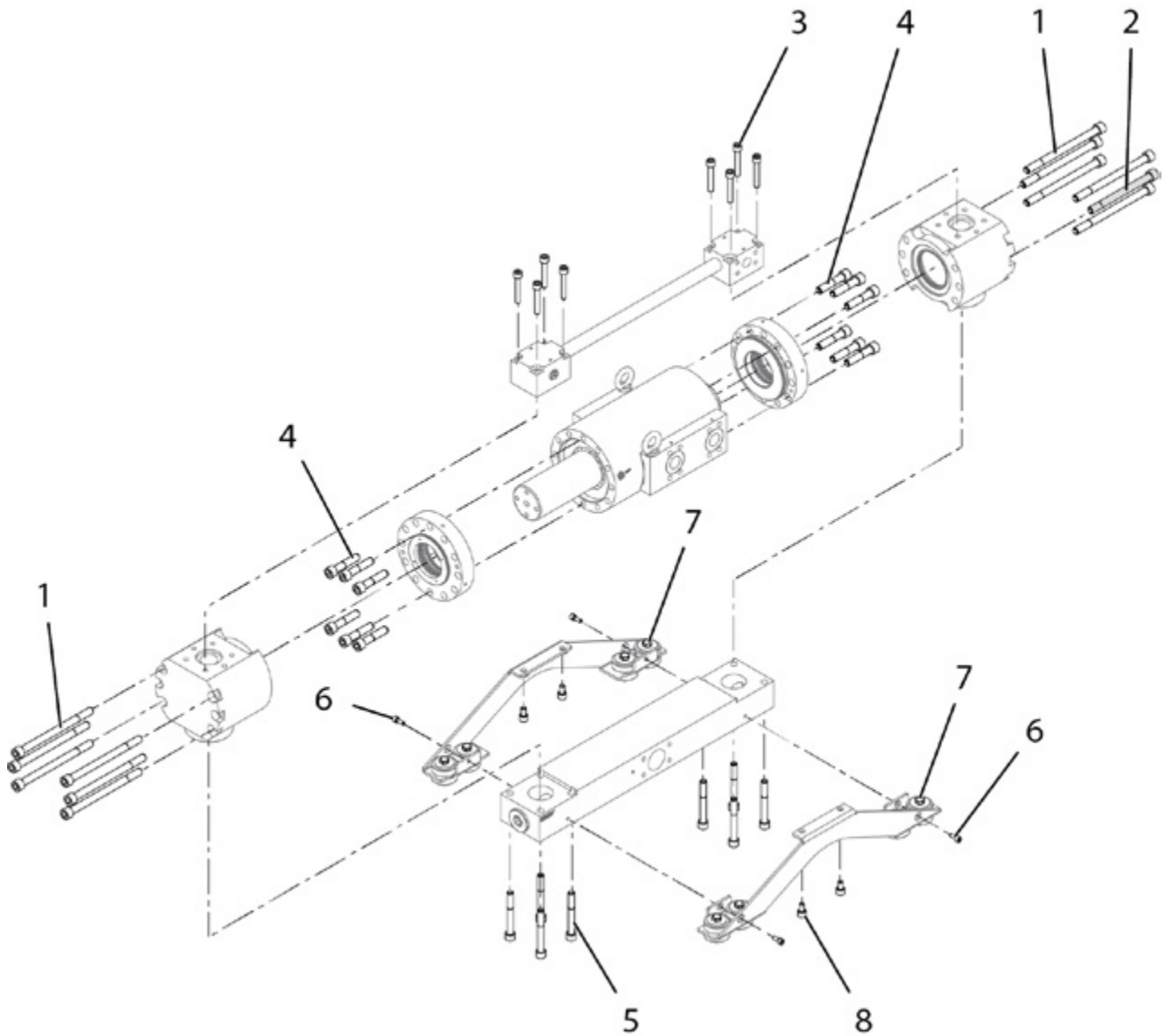
POS	PART NUMBER	QTY	DESCRIPTION	DETAILS	DETAILS 2
	<b>V100 101 910</b>		<b>WATER VALVE KIT</b>		<b>Includes pos. 1-4</b>
1	*	2	WATER VALVE ASSEMBLY	Pressure	
2	*	2	WATER VALVE ASSEMBLY	Suction	
3	*	4	FLANGE SEAL	D87 / d80	
4	*	2	O-RING	58,42 x 2,62	

POS	PART NUMBER	QTY	DESCRIPTION	DETAILS	DETAILS 2
5	V100 121 090	1	WATER VALVE HOUSING		

\* Not sold separately. Available only in kit or assembly described above or presented in separate part list.  
Read Details 2

O-rings and seals are also available in Seal kit, see page 14.

### 8. SCREW KIT

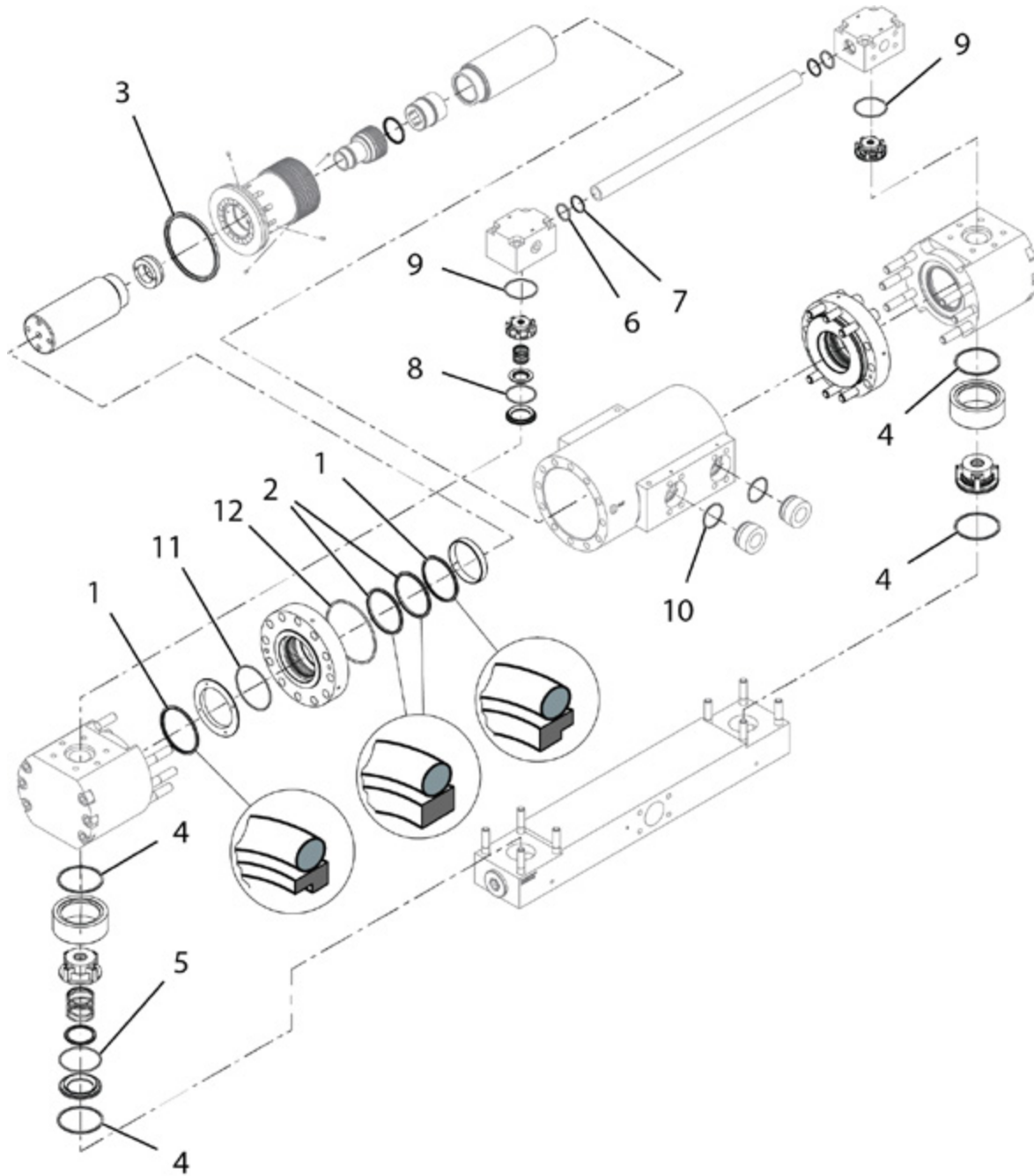


POS	PART NUMBER	QTY	DESCRIPTION	DETAILS	DETAILS 2
	<b>V100 121 125</b>		<b>SCREW KIT</b>		<b>Includes pos 1-8</b>
1	*	11	HEXAGON SOCKET CAP SCREW	M16 x 220	
2	*	1	HEXAGON SOCKET CAP SCREW	M16 x 200	
3	*	8	HEXAGON SOCKET CAP SCREW	M12 x 70	
4	*	12	HEXAGON SOCKET CAP SCREW	M16 x 75	
5	*	8	HEXAGON SOCKET CAP SCREW	M14 x 110	
6	*	4	HEXAGON SOCKET CAP SCREW	M8 x 20	
7	*	8	HEXAGON HEAD SCREW	M12 x 60	
8	*	4	HEXAGON SOCKET CAP SCREW	M12 x 20	

\* Not sold separately. Available only in kit or assembly described above or presented in separate part list.  
Read Details 2

 **NOTE! Tightening torques can be found in user manual.**

### 9. SEAL KIT

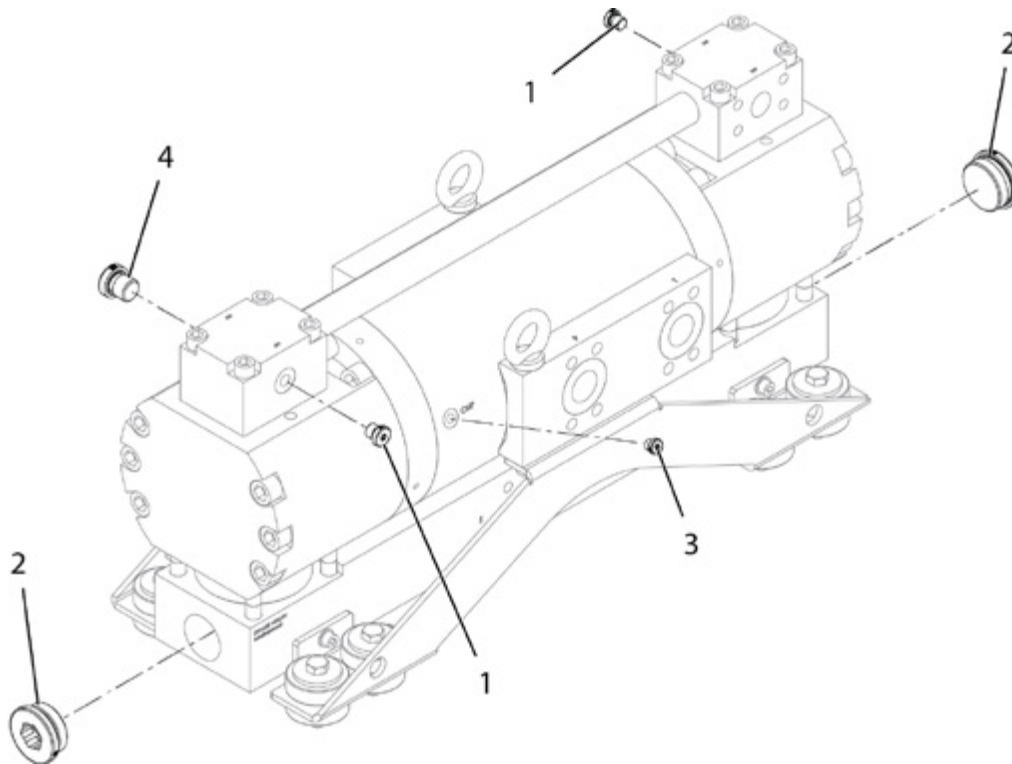


**SPARE PARTS**

POS	PART NUMBER	QTY	DESCRIPTION	DETAILS	DETAILS 2
	<b>V100 101 900</b>		<b>SEAL KIT</b>		<b>Includes pos. 1-12</b>
1	*	4	ROD SEAL	1T	Includes o-ring
2	*	4	ROD SEAL	2T	Includes o-ring
3	*	1	PISTON SEAL ASSEMBLY	M150	
4	*	4	FLANGE SEAL	D87 / d80	
5	*	2	SUPPORT RING	30 / 35	
6	*	2	O-RING	75,87 x 2,62	
7	*	2	O-RING	47,30 x 2,62	
8	*	2	O-RING	53,64 x 2,62	
9	*	2	O-RING	58,42 x 2,62	
10	*	2	O-RING	88,57 x 2,62	
11	*	2	O-RING	30,2 x 3	
12	*	2	O-RING	144,5 x 3	

\* Not sold separately. Available only in kit or assembly described above or presented in separate part list.  
Read Details 2

## 10. PLUG KIT

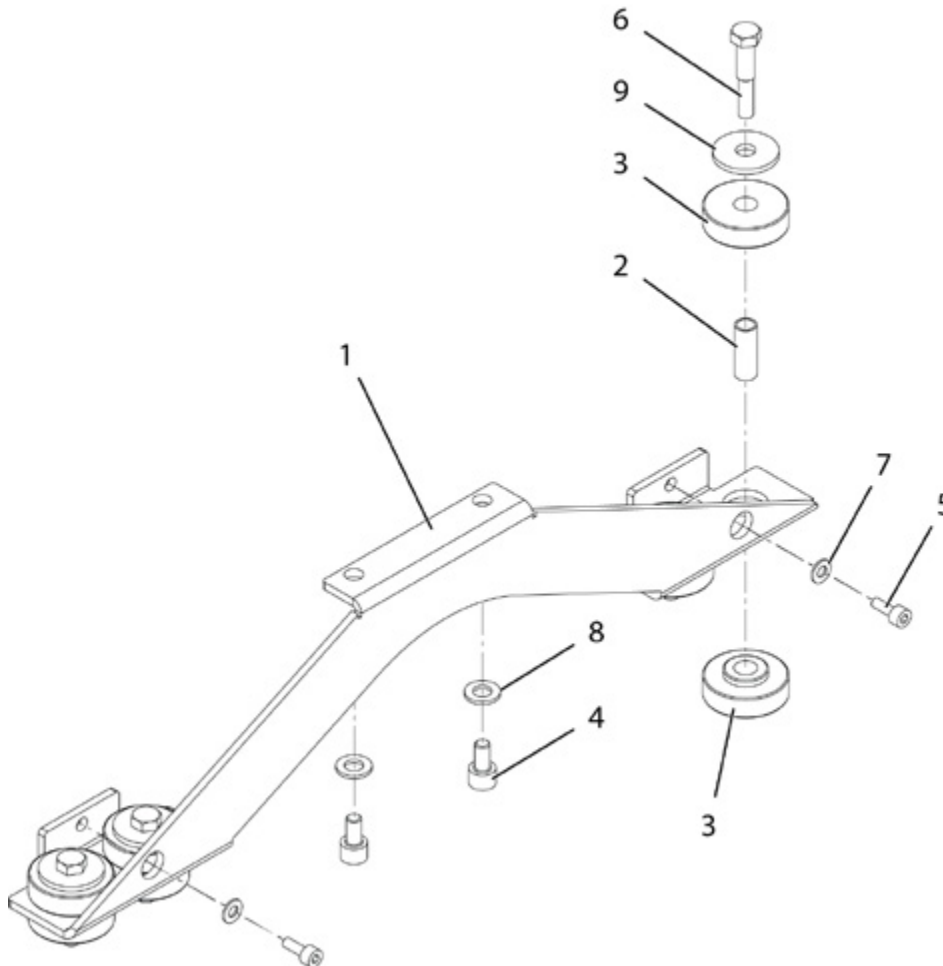


POS	PART NUMBER	QTY	DESCRIPTION	DETAILS	DETAILS 2
	<b>V100 121 130</b>		<b>PLUG KIT</b>		<b>Includes pos. 1-4</b>
1	*	2	HEXAGON SOCKET CAP PLUG	R1/4	
2	*	2	HEXAGON SOCKET CAP PLUG	R1 1/2	Stainless steel
3	*	1	HEXAGON SOCKET CAP PLUG	R1/8	
4	*	1	HEXAGON SOCKET CAP PLUG	R3/4	

\* Not sold separately. Available only in kit or assembly described above or presented in separate part list.  
Read Details 2



## 11. BRACKET KIT



POS	PART NUMBER	QTY	DESCRIPTION	DETAILS	DETAILS 2
	<b>V100 121 100</b>		<b>BRACKET KIT</b>	<b>M150</b>	<b>Includes pos. 1-9</b>
1	*	1	BRACKET		
2	*	4	BUSHING	15 x 1,5	
3	*	8	RUBBER SLEEVE	57/16	
4	*	2	HEXAGON SOCKET CAP SCREW	M8 x 20	
5	*	2	HEXAGON SOCKET CAP SCREW	M12 x 20	
6	*	4	HEXAGON HEAD SCREW	M12 x 60	
7	*	2	WASHER	A8,4	
8	*	2	WASHER	A13	
9	*	4	WASHER	A13,5	
	<b>V100 121 110</b>		<b>RUBBER CUSHION KIT</b>		<b>Includes pos. 2-3, 6, 9 (2 sets of each)</b>

\* Not sold separately. Available only in kit or assembly described above or presented in separate part list.  
Read Details 2

Screws are also available in Screw kit, see page 12.