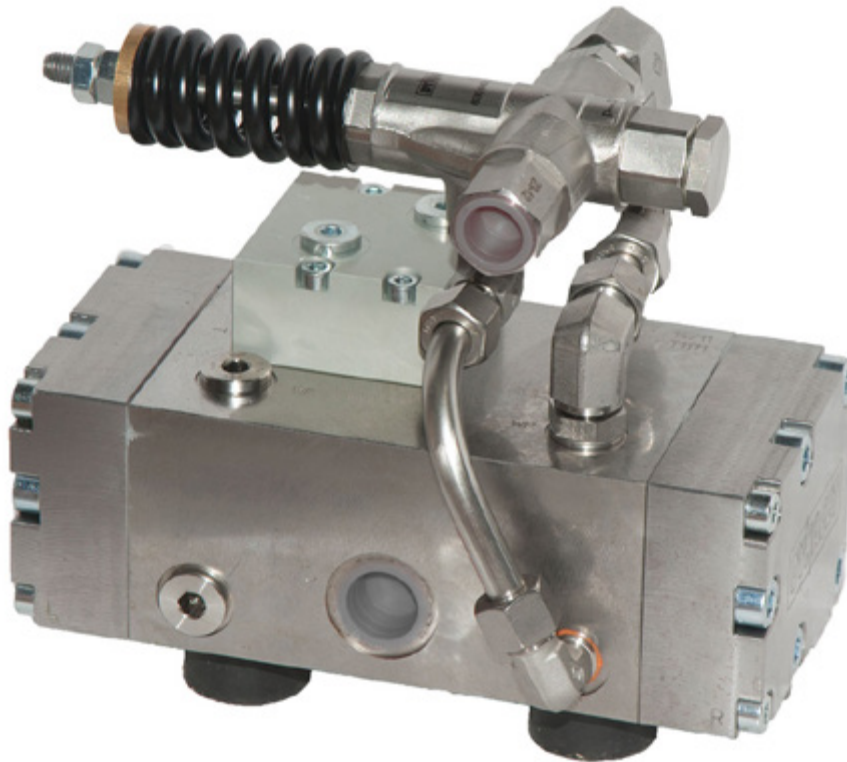


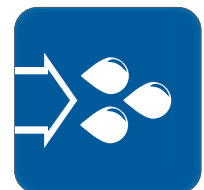
# **DYNASET**

**POWERED BY HYDRAULICS**



## **SPARE PARTS**

### **HIGH PRESSURE WATER PUMPS**



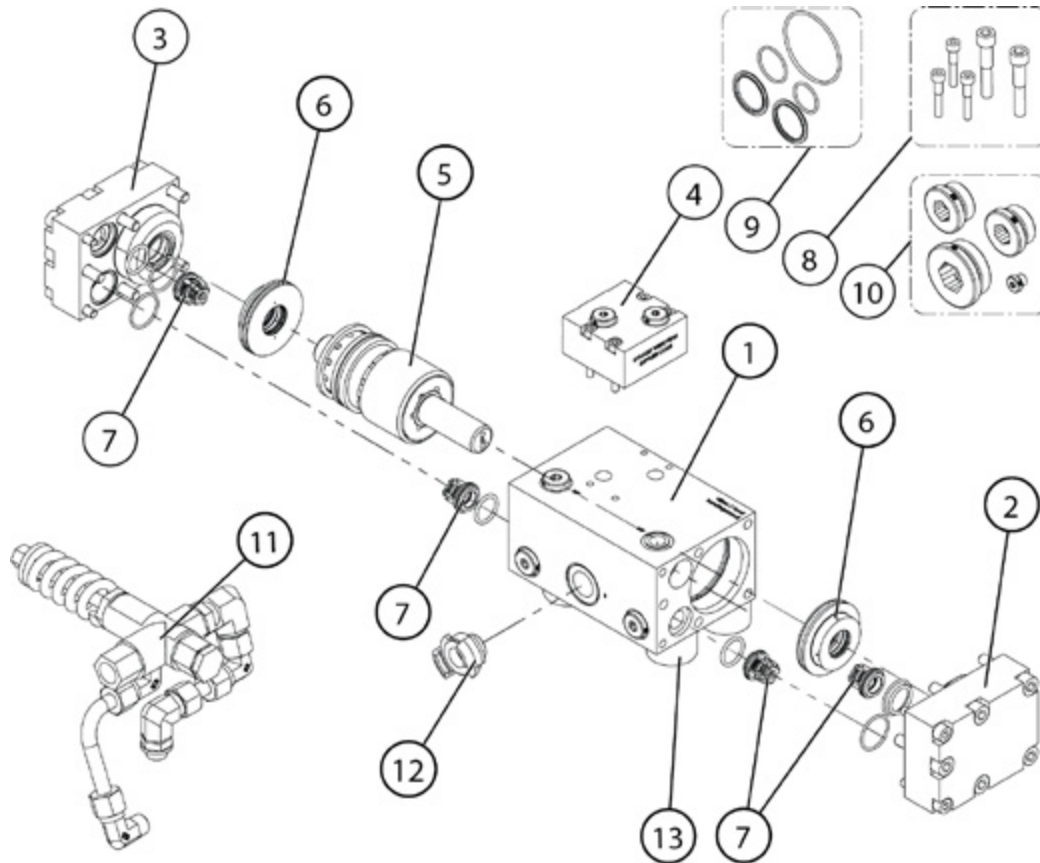
**HPW 420 /20-50**

HPW420\_20-50\_Spare\_Parts\_MEA-PL1.0

## SPARE PARTS

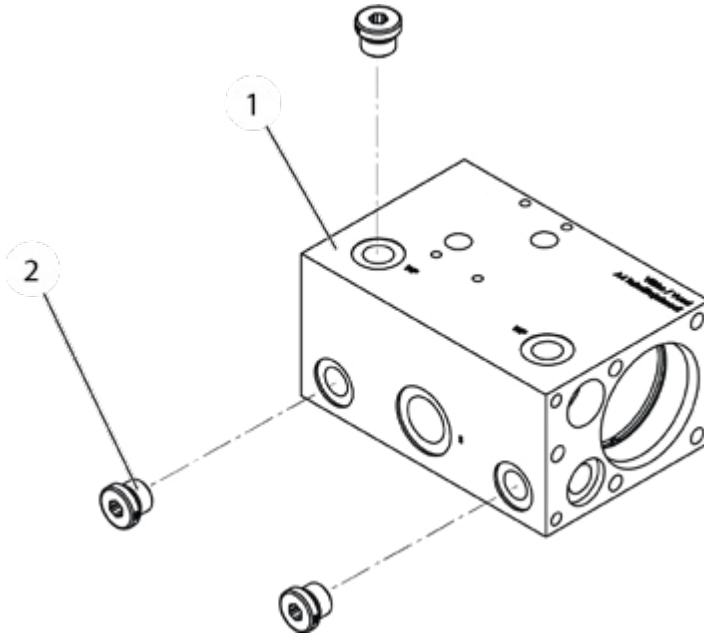
<b>MAIN COMPONENTS</b>	<b>3</b>
1. <b>CENTER BODY</b> .....	<b>4</b>
2. <b>HEAD RIGHT</b> .....	<b>5</b>
3. <b>HEAD LEFT</b> .....	<b>6</b>
4. <b>PT BLOCK</b> .....	<b>7</b>
5. <b>PISTON</b> .....	<b>11</b>
6. <b>SEAL FLANGE</b> .....	<b>12</b>
7. <b>WATER VALVE</b> .....	<b>13</b>
8. <b>SCREW KIT</b> .....	<b>14</b>
9. <b>SEAL KIT</b> .....	<b>16</b>
10. <b>PLUG KIT</b> .....	<b>18</b>
11. <b>UNLOADER VALVE</b> .....	<b>19</b>

## MAIN COMPONENTS



POS	PART NUMBER	QTY	DESCRIPTION	DETAILS	DETAILS 2
1		1	CENTER BODY		See separate part list
2		1	HEAD RIGHT		See separate part list
3		1	HEAD LEFT		See separate part list
4		1	PT BLOCK		See separate part list
5		1	PISTON		See separate part list
6		2	SEAL FLANGE		See separate part list
7		2	WATER VALVE KIT		See separate part list
8			SCREW KIT		See separate part list
9			SEAL KIT		See separate part list
10			PLUG KIT		See separate part list
11			UNLOADER VALVE		See separate part list
12	V170 3275 000		CLAW COUPLING	25 - R3/4	
13	V100 100 001		RUBBER CUSHION KIT	D40 / H30 - M8	
	D214 901 060		PRESSURE GAUGE KIT	G3/8	

## 1. CENTER BODY



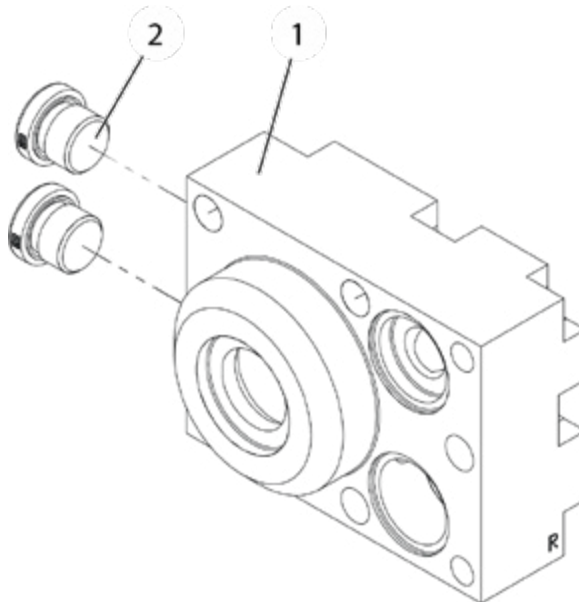
POS	PART NUMBER	QTY	DESCRIPTION	DETAILS	DETAILS 2
1	V100 102 050	1	CENTER BODY	D63	Includes pos. 2
2	*	3	HEXAGON SOCKET CAP PLUG	R3/8	Stainless steel

POS	PART NUMBER	QTY	DESCRIPTION	DETAILS	DETAILS 2
1	V100 102 055	1	CENTER BODY AB	D63	Includes pos. 2
2	*	3	HEXAGON SOCKET CAP PLUG	R3/8	Stainless steel

\* Not sold separately. Available only in kit or assembly described above or presented in separate part list.  
Read Details 2

Plugs are also available in Plug kit, see page 18.

## 2. HEAD RIGHT



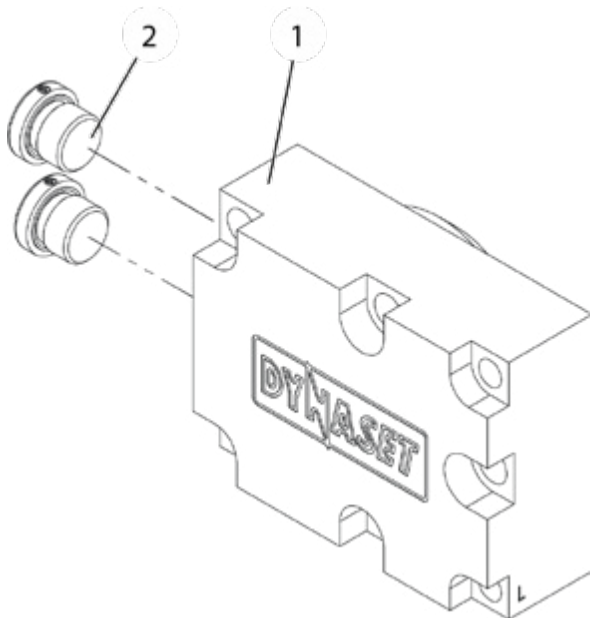
POS	PART NUMBER	QTY	DESCRIPTION	DETAILS	DETAILS 2
1	V100 102 060	1	HEAD RIGHT	D63 / d24	Includes pos. 2
2	*	2	HEXAGON SOCKET CAP PLUG	R3/8	Stainless Steel

POS	PART NUMBER	QTY	DESCRIPTION	DETAILS	DETAILS 2
1	V100 102 065	1	HEAD RIGHT AB	D63 / d24	Includes pos. 2
2	*	2	HEXAGON SOCKET CAP PLUG	R3/8	Stainless steel

\* Not sold separately. Available only in kit or assembly described above or presented in separate part list.  
Read Details 2

Plugs are also available in Plug kit, see page 18.

### 3. HEAD LEFT



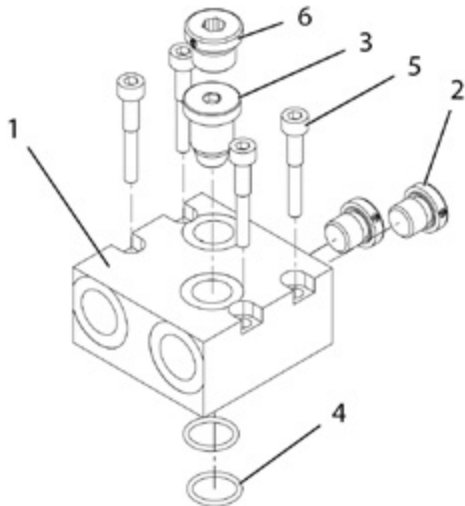
POS	PART NUMBER	QTY	DESCRIPTION	DETAILS	DETAILS 2
1	V100 102 070	1	HEAD LEFT	D63 / d24	Includes pos. 2
2	*	2	HEXAGON SOCKET CAP PLUG	R3/8	Stainless steel

POS	PART NUMBER	QTY	DESCRIPTION	DETAILS	DETAILS 2
1	V100 102 075	1	HEAD LEFT AB	D63 / d24	Includes pos. 2
2	*	2	HEXAGON SOCKET CAP PLUG	R3/8	Stainless steel

\* Not sold separately. Available only in kit or assembly described above or presented in separate part list.  
Read Details 2

Plugs are also available in Plug kit, see page 18.

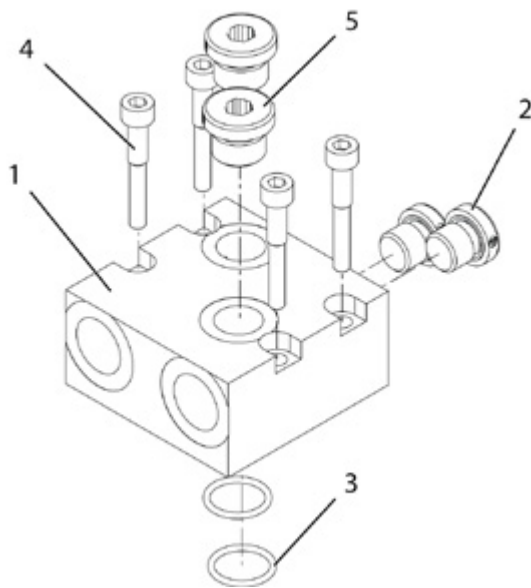
## 4. PT BLOCK



POS	PART NUMBER	QTY	DESCRIPTION	DETAILS	DETAILS 2
	<b>V100 100 500</b>		<b>PT BLOCK KIT</b>		Includes pos. 1-6
1	*	1	PT BLOCK	R1/2 - Al - Minimum pressure valve	
2	*	2	HEXAGON SOCKET CAP PLUG	R1/4	
3	V100 100 510	1	MINIMUM PRESSURE VALVE	1/2"	
4	*	2	O-RING	17 x 2	
5	*	4	HEXAGON SOCKET CAP SCREW	M6x40	
6	*	1	HEXAGON SOCKET CAP PLUG	R3/8	

\* Not sold separately. Available only in kit or assembly described above or presented in separate part list.  
Read Details 2

Screws are also available in Screw kit, see page 14.  
O-rings are also available in Seal kit, see page 16.  
Plugs are also available in Plug kit, see page 18.



POS	PART NUMBER	QTY	DESCRIPTION	DETAILS	DETAILS 2
	<b>V100 100 480</b>		<b>PT BLOCK KIT</b>		Includes pos. 1-5
1	*	1	PT BLOCK	R1/2 - AI -M	
2	*	2	HEXAGON SOCKET CAP PLUG	R1/4 Stainless Steel	
3	*	2	O-RING	17 x 2	
4	*	4	HEXAGON SOCKET CAP SCREW	M6x40 Stainless Steel	
5	*	2	HEXAGON SOCKET CAP PLUG	R3/8 Stainless Steel	

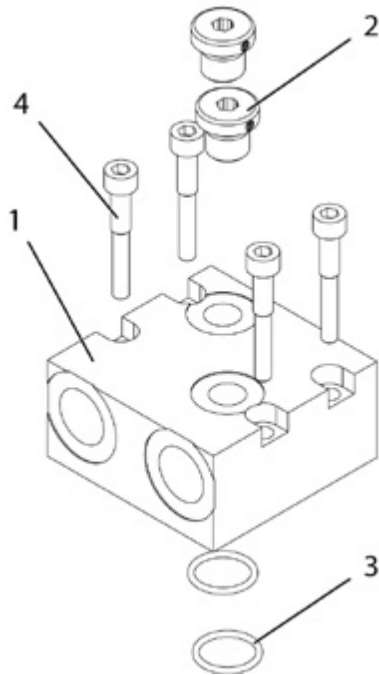
\* Not sold separately. Available only in kit or assembly described above or presented in separate part list.  
Read Details 2

Screws are also available in Screw kit, see page 14.

O-rings are also available in Seal kit, see page 16.

Plugs are also available in Plug kit, see page 18.





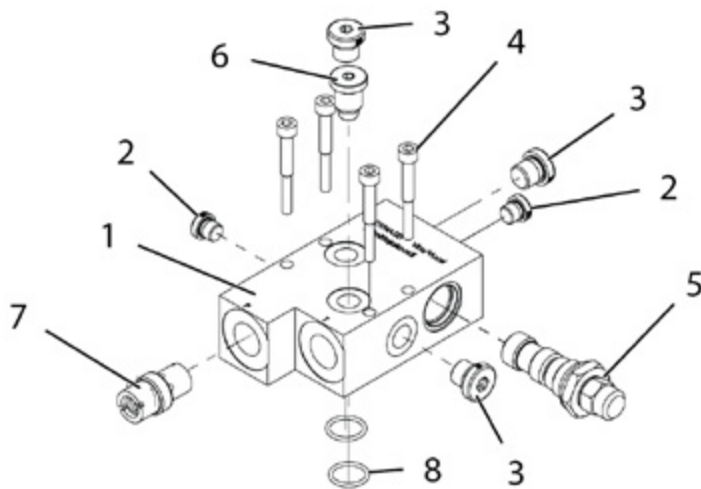
POS	PART NUMBER	QTY	DESCRIPTION	DETAILS	DETAILS 2
	<b>V100 100 470</b>		<b>PT BLOCK KIT AIS</b>		Includes pos. 1-4
1	*	1	PT BLOCK AIS	R1/2 - Stainless Steel	
2	*	2	HEXAGON SOCKET CAP PLUG	R1/4 Stainless Steel	
3	*	2	O-RING	17 x 2	
4	*	4	HEXAGON SOCKET CAP SCREW	M6x40 Stainless Steel	

\* Not sold separately. Available only in kit or assembly described above or presented in separate part list.  
Read Details 2

Screws are also available in Screw kit, see page 14.

O-rings are also available in Seal kit, see page 16.

Plugs are also available in Plug kit, see page 18.



POS	PART NUMBER	QTY	DESCRIPTION	DETAILS	DETAILS 2
1	V100 100 520		PT BLOCK - VR - PA	R1/2 - VR - PA with Minimum pressure valve	Includes pos. 2-8
2	*	2	HEXAGON SOCKET CAP PLUG	R1/8	
3	*	3	HEXAGON SOCKET CAP PLUG	R1/4	
4	*	4	HEXAGON SOCKET CAP SCREW	M6x50	
5	*	1	PRESSURE REDUCING VALVE CARTRIDGE	315/70-210 40 lpm	
6	V100 100 510	1	MINIMUM PRESSURE VALVE		
7	*	1	FLOW LIMITER CARTRIDGE	R1/2 - 40 lpm	
8	*	2	O-RING		

POS	PART NUMBER	QTY	DESCRIPTION	DETAILS	DETAILS 2
1	V100 100 525		PT BLOCK - VR - PA - AIS	R1/2 - VR - PA - AIS without Minimum pressure valve	Includes pos. 2-8
2	*	2	HEXAGON SOCKET CAP PLUG	R1/8	Stainless Steel
3	*	3	HEXAGON SOCKET CAP PLUG	R1/4	Stainless Steel
4	*	4	HEXAGON SOCKET CAP SCREW	M6x50	Stainless Steel
5	*	1	PRESSURE REDUCING VALVE CARTRIDGE	315/70-210 40 lpm	
6	*	1	HEXAGON SOCKET CAP PLUG	R3/8	Stainless Steel, Replaces minimum pressure valve
7	*	1	FLOW LIMITER CARTRIDGE	R1/2 - 40 lpm	
8	*	2	O-RING		

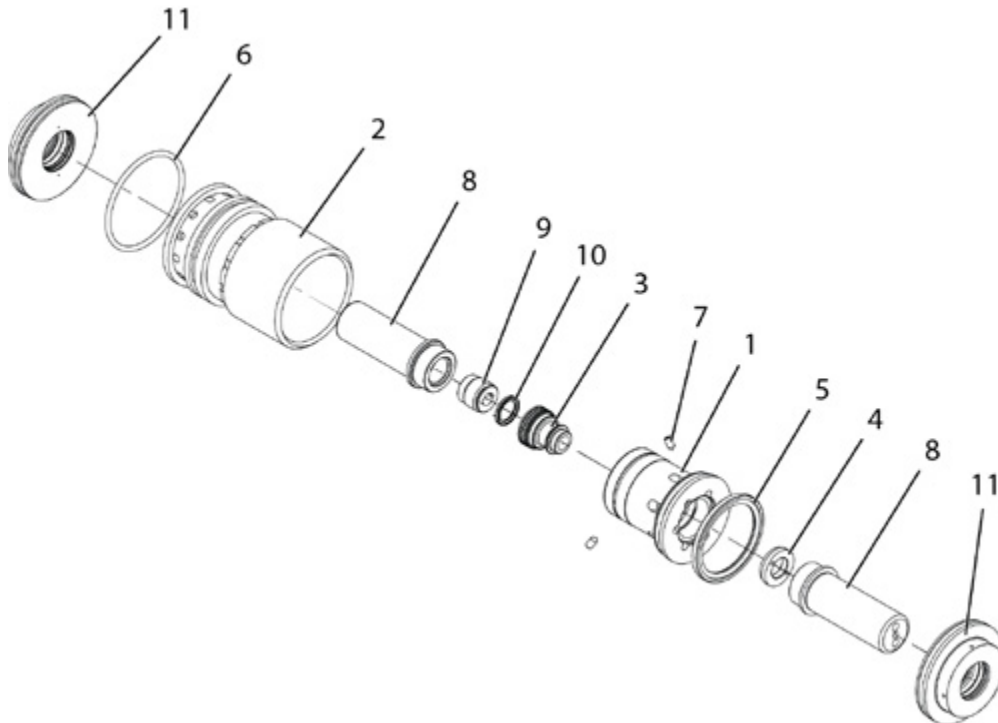
\* Not sold separately. Available only in kit or assembly described above or presented in separate part list.  
Read Details 2

Screws are also available in Screw kit, see page 14.

O-rings are also available in Seal kit, see page 16.

Plugs are also available in Plug kit, see page 18.

## 5. PISTON

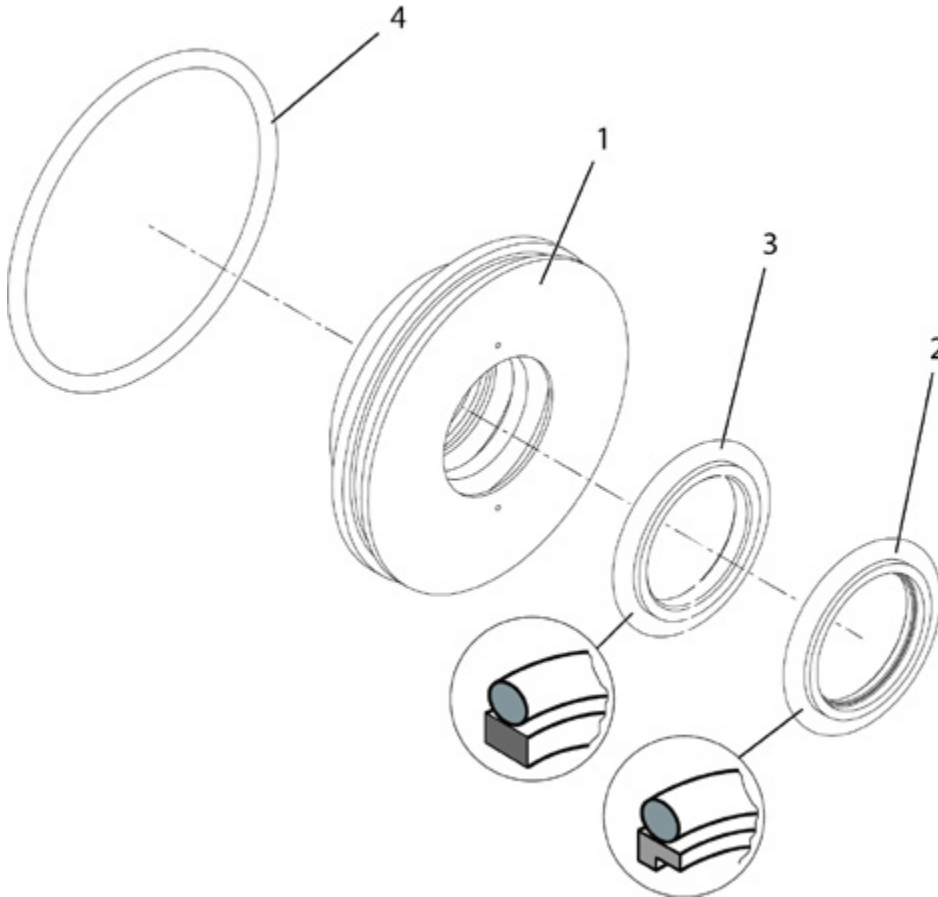


POS	PART NUMBER	QTY	DESCRIPTION	DETAILS	DETAILS 2
	<b>V100 102 040</b>		<b>PISTON KIT</b>	<b>Piston kit includes 2 secondary pistons, Seal flanges excluded</b>	<b>Includes pos. 1-10</b>
1	*	1	HYDRAULIC PISTON	D55 / d42,4	
2	*	1	CYLINDER LINER	D55 / d42,4	
3	*	1	VALVE SPOOL	24/25	
4	*	1	VALVE SEAT	23,5/5,5	
5	*	1	PISTON SEAL ASSEMBLY	D55	
6	*	1	O-RING	57 x 3	
7	*	2	SET SCREW	M5x8	
8	V100 102 047	1	SECONDARY PISTON	D24	
9	V100 101 375	1	REVERSAL VALVE GUIDE	M55	
10	*	1	PISTON SEAL ASSEMBLY	D18	
11	*	2	SEAL FLANGE ASSEMBLY		See sep. part list in page 12.
	<b>V100 102 045</b>		<b>HYDRAULIC PISTON KIT</b>	Secondary pistons and seal flanges excluded	Includes pos. 1-7
	<b>V100 102 041</b>		<b>PISTON KIT</b>	Includes seal flanges	Includes pos. 1-11
	<b>V100 102 042</b>		<b>PISTON KIT (CR)</b>	Secondary pistons chrome coated	
	V100 102 048	1	SECONDARY PISTON	D24 - chrome	

\* Not sold separately. Available only in kit or assembly described above or presented in separate part list.  
Read Details 2

Seals and O-rings are also available in Seal kit, see page 16.

## 6. SEAL FLANGE

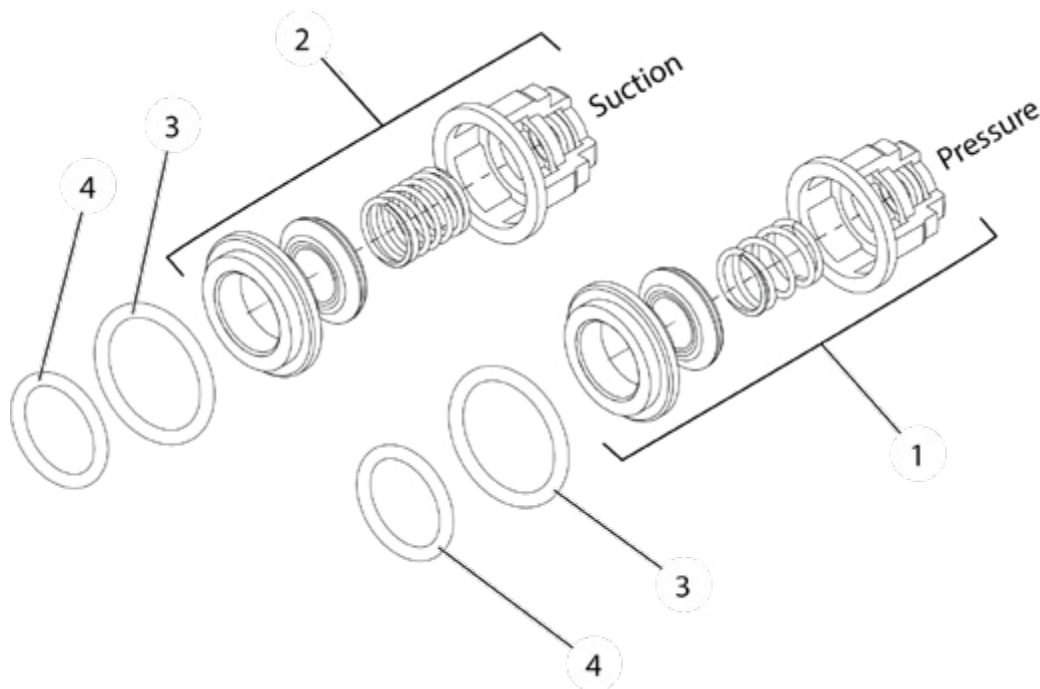


POS	PART NUMBER	QTY	DESCRIPTION	DETAILS	DETAILS 2
	<b>V100 101 952</b>		<b>SEAL FLANGE KIT</b>		Includes pos. 1-4
1	V100 101 950	1	SEAL FLANGE	D63 / d24	
2	*	1	WATER PISTON SEAL	1T	Includes o-ring
3	*	1	WATER PISTON SEAL	2T	Includes o-ring
4	*	1	O-RING	57 x 3	

\* Not sold separately. Available only in kit or assembly described above or presented in separate part list.  
Read Details 2

Seals are also available in Seal kit, see page 16.

## 7. WATER VALVE



**NOTE!** The pressure valve's (1) spring has less turns than the suction valve's (2) spring.

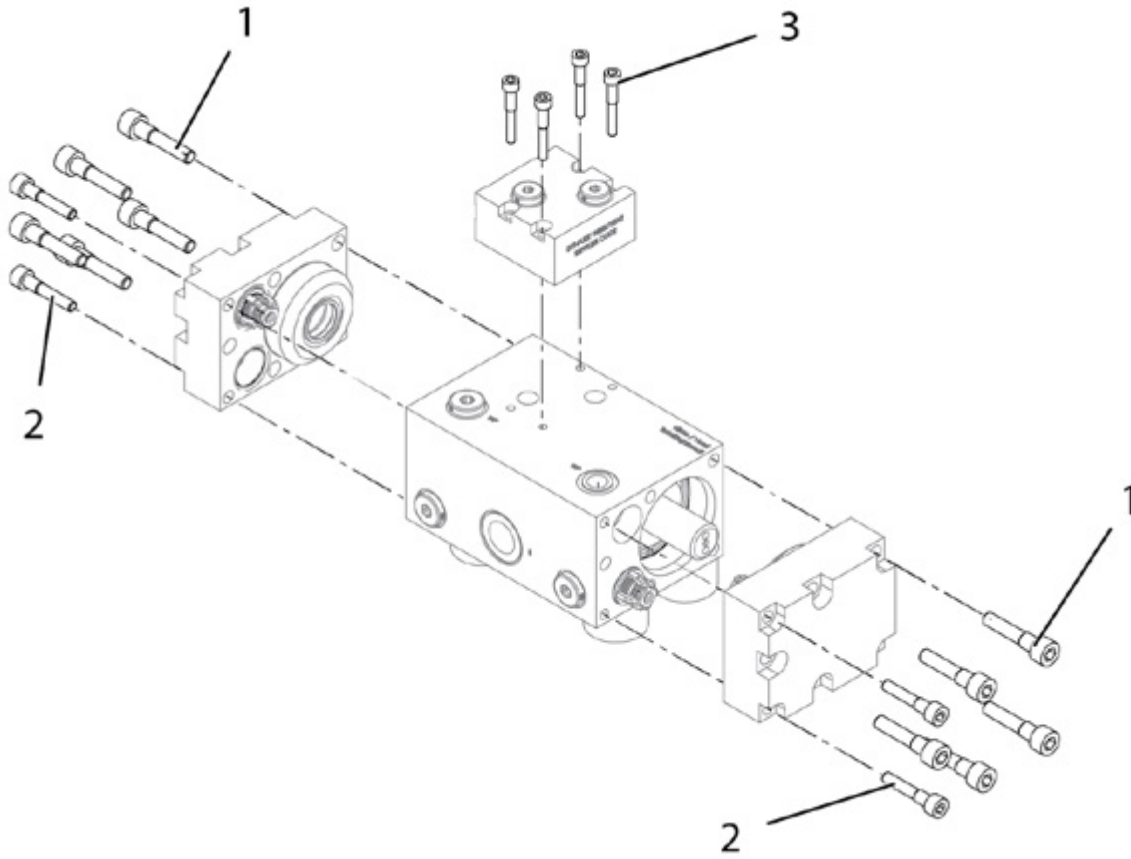
POS	PART NUMBER	QTY	DESCRIPTION	DETAILS	DETAILS 2
	<b>V100 102 035</b>		<b>WATER VALVE KIT</b>	Standard	Includes pos. 1-4
1	*	2	WATER VALVE	Pressure	
2	*	2	WATER VALVE	Suction	
3	*	4	O-RING	27 x 2	
4	*	4	O-RING	20,3 x 2,63	

POS	PART NUMBER	QTY	DESCRIPTION	DETAILS	DETAILS 2
	<b>V100 102 037</b>		<b>WATER VALVE KIT HOT</b>		Includes pos. 1-4
1	*	2	WATER VALVE	Pressure	
2	*	2	WATER VALVE	Suction	
3	*	4	O-RING	27 x 2	
4	*	4	O-RING	20,3 x 2,63	

\* Not sold separately. Available only in kit or assembly described above or presented in separate part list. Read Details 2

O-rings are also available in Seal kit, see page 16.

## 8. SCREW KIT



**SPARE PARTS**

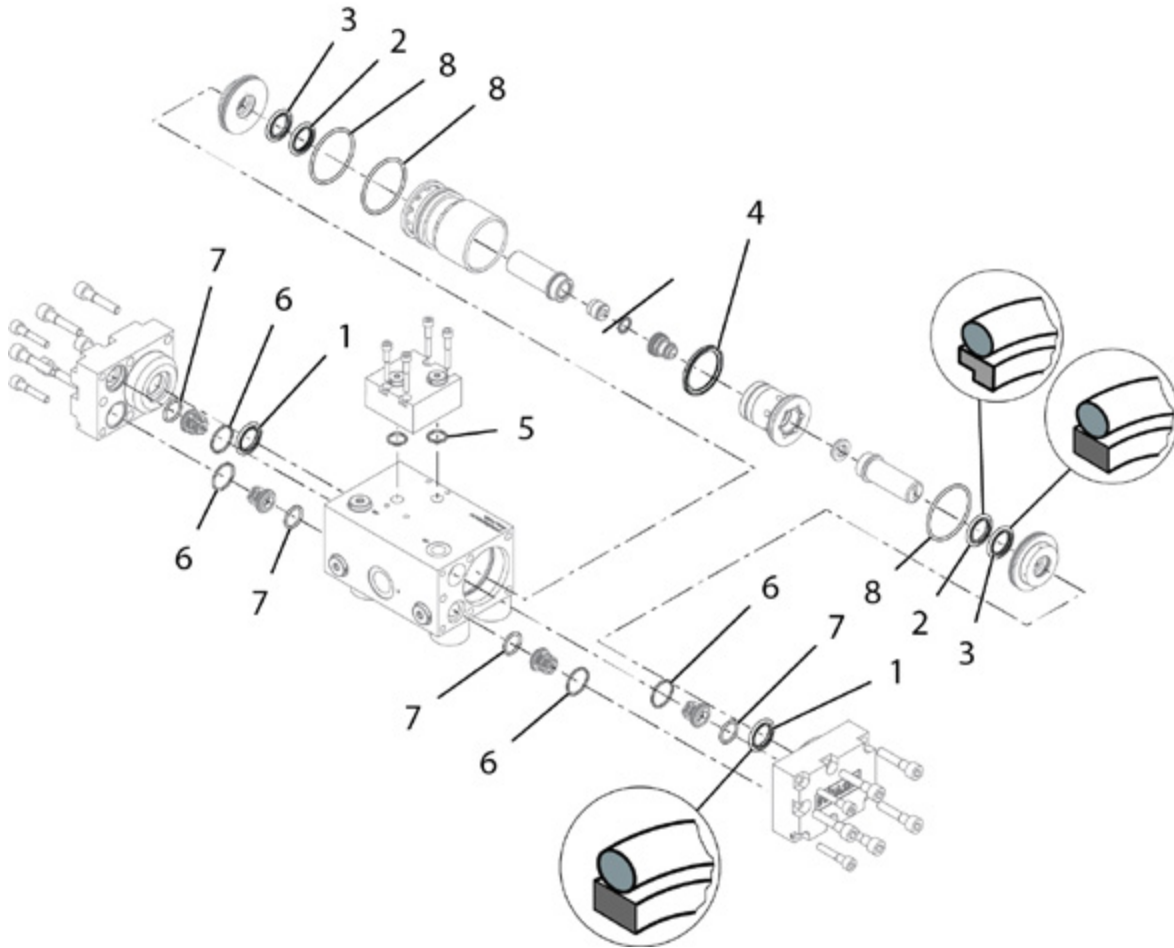
POS	PART NUMBER	QTY	DESCRIPTION	DETAILS	DETAILS 2
	<b>V100 101 960</b>		<b>SCREW KIT</b>		Includes pos. 1-3
1	*	10	HEXAGON SOCKET CAP SCREW	M10 x 45	
2	*	4	HEXAGON SOCKET CAP SCREW	M8 x 40	
3	*	4	HEXAGON SOCKET CAP SCREW	M6 x 40	

POS	PART NUMBER	QTY	DESCRIPTION	DETAILS	DETAILS 2
	<b>V100 101 970</b>		<b>SCREW KIT M</b>		Includes pos. 1-3
1	*	10	HEXAGON SOCKET CAP SCREW	M10 x 45	Stainless steel
2	*	4	HEXAGON SOCKET CAP SCREW	M8 x 40	Stainless steel
3	*	4	HEXAGON SOCKET CAP SCREW	M6 x 40	Stainless steel

\* Not sold separately. Available only in kit or assembly described above or presented in separate part list.  
Read Details 2

**!** **NOTE!** Tightening torques can be found in user manual.

### 9. SEAL KIT





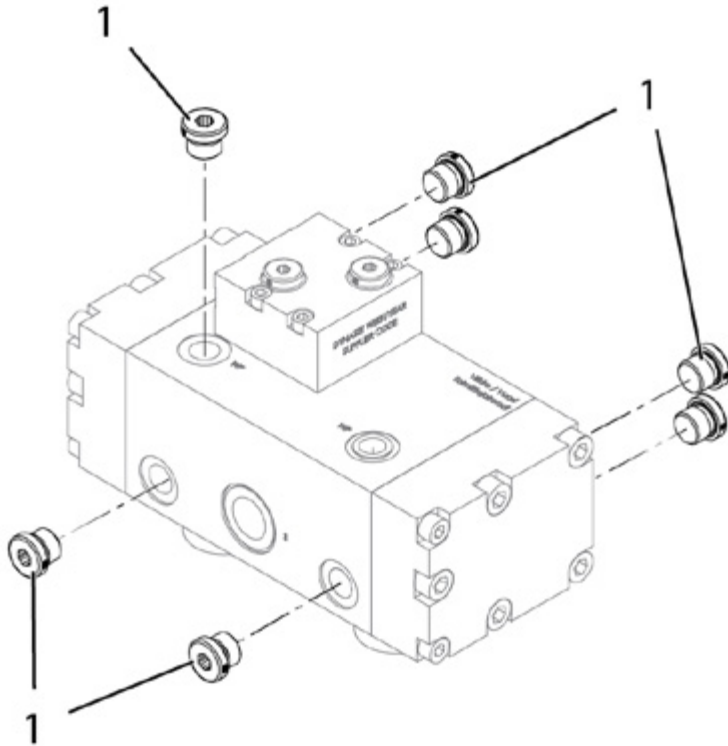
**SPARE PARTS**

POS	PART NUMBER	QTY	DESCRIPTION	DETAILS	DETAILS 2
	<b>V100 101 955</b>		<b>SEAL KIT</b>		Includes pos. 1-8
1	*	2	WATER PISTON SEAL	2T, white	Includes o-ring
2	*	2	WATER PISTON SEAL	1T	Includes o-ring
3	*	2	WATER PISTON SEAL	2T	Includes o-ring
4	*	1	PISTON SEAL ASSEMBLY	M55	Includes o-ring
5	*	2	O-RING	17 x 2	
6	*	4	O-RING	27 x 2	
7	*	4	O-RING	20,3 x 2,62	
8	*	3	O-RING	57 x 3	

POS	PART NUMBER	QTY	DESCRIPTION	DETAILS	DETAILS 2
	<b>V100 101 956</b>		<b>SEAL KIT HOT</b>		Includes pos. 1-8
1	*	2	WATER PISTON SEAL	2T	Includes green o-ring
2	*	2	WATER PISTON SEAL	1T	Includes o-ring
3	*	2	WATER PISTON SEAL	2T	Includes o-ring
4	*	1	PISTON SEAL ASSEMBLY	M55	Includes o-ring
5	*	2	O-RING	17 x 2	
6	*	4	O-RING	27 x 2	green
7	*	4	O-RING	20,3 x 2,62	green
8	*	3	O-RING	57 x 3	

\* Not sold separately. Available only in kit or assembly described above or presented in separate part list.  
Read Details 2

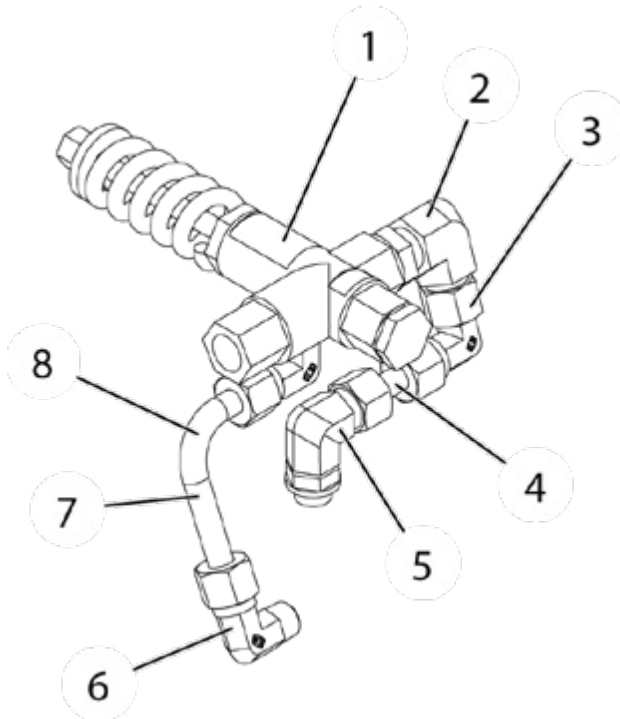
## 10. PLUG KIT



POS	PART NUMBER	QTY	DESCRIPTION	DETAILS	DETAILS 2
	<b>V100 101 980</b>		<b>PLUG KIT</b>		Includes pos. 1
1	*	7	HEXAGON SOCKET CAP PLUG	R3/8	Stainless steel

\* Not sold separately. Available only in kit or assembly described above or presented in separate part list.  
Read Details 2

## 11. UNLOADER VALVE



POS	PART NUMBER	QTY	DESCRIPTION	DETAILS	DETAILS 2
	<b>V100 102 005</b>		<b>UNLOADER VALVE KIT</b>		Includes pos. 1-8
1	V100 102 000	1	UNLOADER VALVE	520 bar	
2	*	1	ELBOW FITTING	12S RK 1/2"	Stainless steel
3	*	1	SWIVEL ELBOW FITTING	12S	Stainless steel
4	*	1	PIPE	HPW420	Stainless steel
5	*	1	ELBOW FITTING	12S R3/8"	Stainless steel
6	*	1	ELBOW FITTING	12S R1/2"	Stainless steel
7	*	1	PIPE ASSEMBLY	HPW420	Stainless steel
8	*	1	ELBOW FITTING	12S R3/8"	Stainless steel
	<b>V100 102 020</b>		<b>UNLOADER VALVE PIPE ASSEMBLY</b>	STD	Includes pos. 4, 7
	<b>V100 102 010</b>		<b>UNLOADER VALVE INSTALLATION KIT</b>	Unloader valve excluded	Includes pos. 2-8

\* Not sold separately. Available only in kit or assembly described above or presented in separate part list.  
Read Details 2