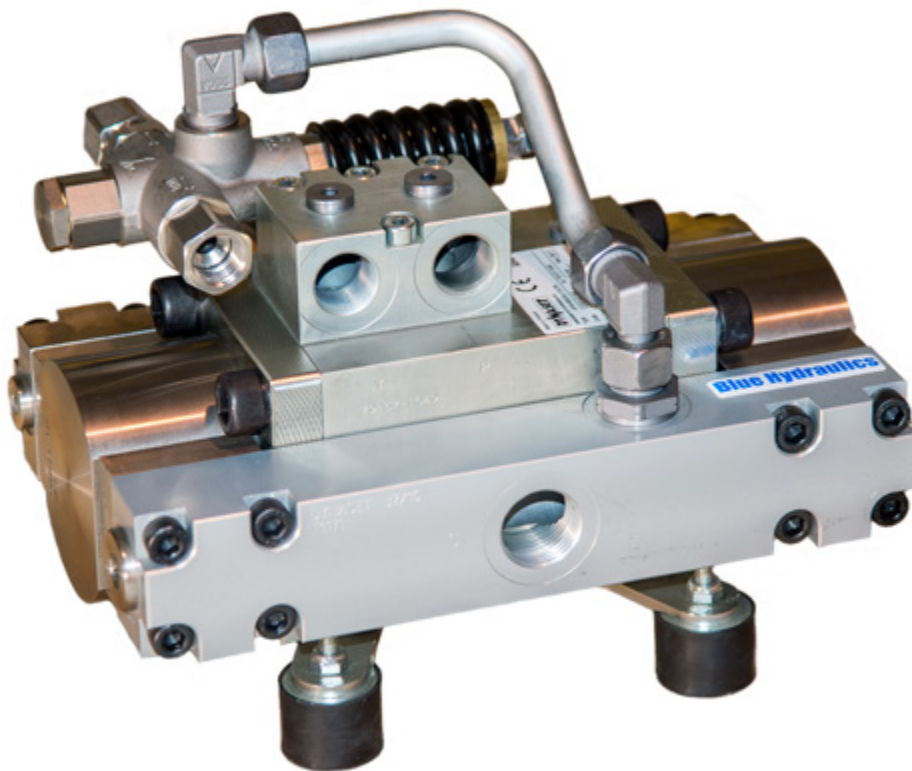
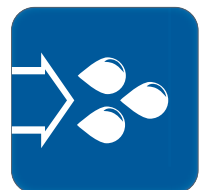


**DYNASET**  
POWERED BY HYDRAULICS



**SPARE PARTS**  
**HIGH PRESSURE WATER PUMPS**



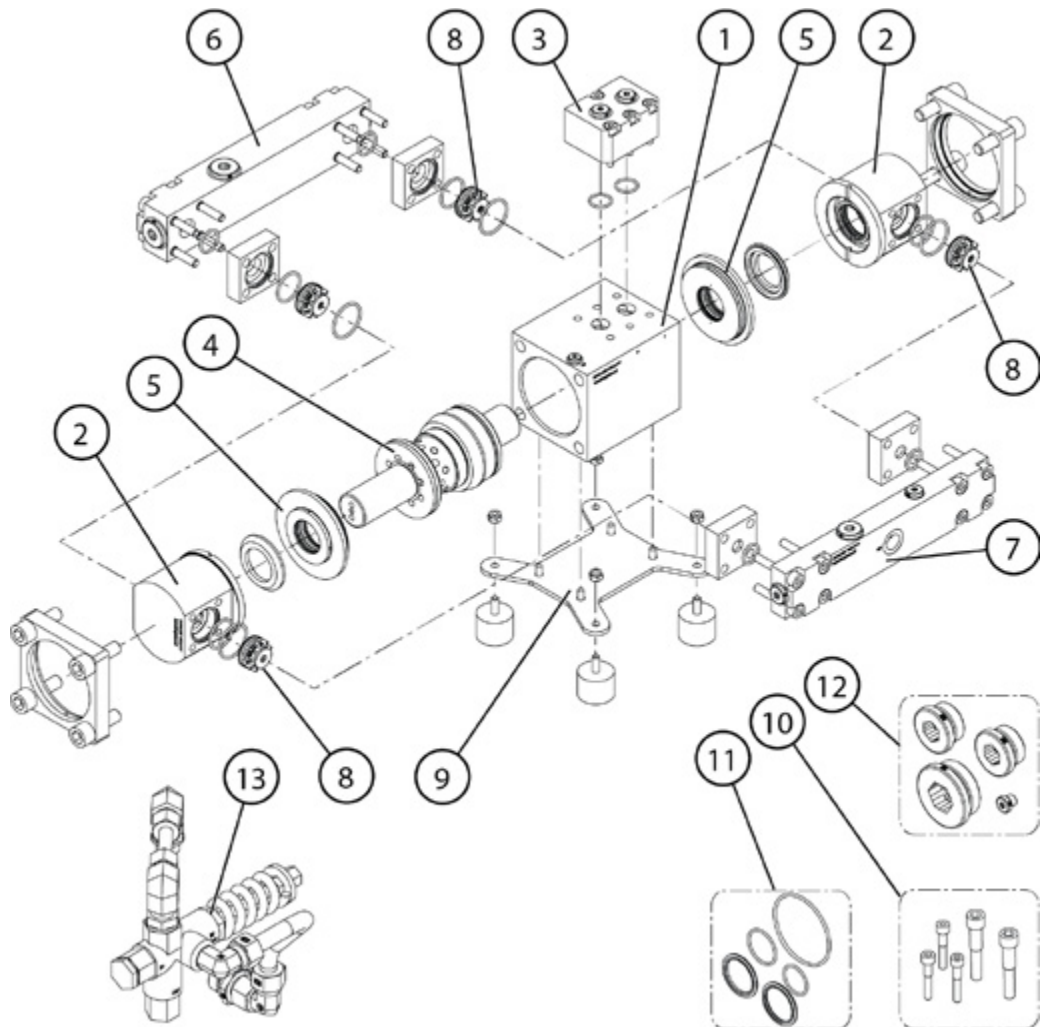
HPW 460 /50-115

HPW460\_50-115\_Spare\_Parts\_MEA-PL1.0

## SPARE PARTS

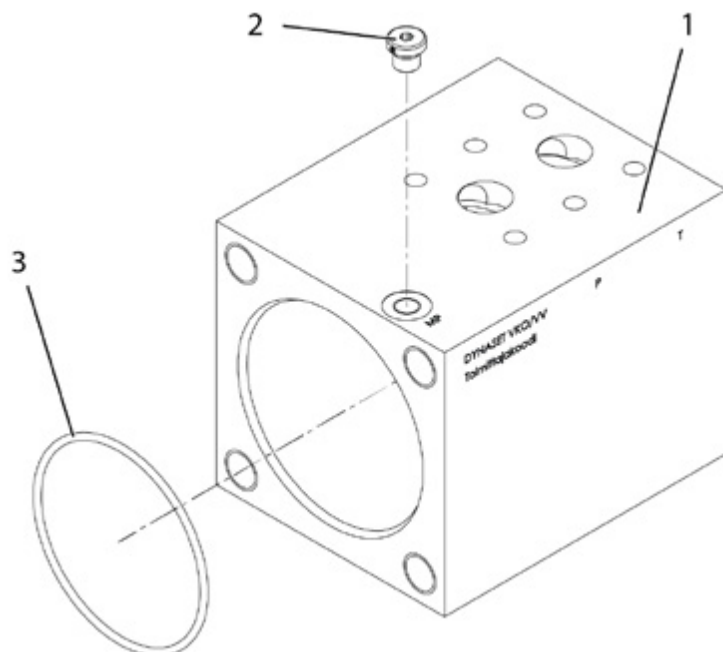
|                                    |           |
|------------------------------------|-----------|
| <b>MAIN COMPONENTS</b>             | <b>3</b>  |
| 1. <b>CENTER BODY</b> .....        | <b>4</b>  |
| 2. <b>HEAD</b> .....               | <b>5</b>  |
| 3. <b>PT BLOCK</b> .....           | <b>6</b>  |
| 4. <b>PISTON</b> .....             | <b>7</b>  |
| 5. <b>SEAL FLANGE</b> .....        | <b>8</b>  |
| 6. <b>SUCTION MANIFOLD</b> .....   | <b>9</b>  |
| 7. <b>PRESSURE MANIFOLD</b> .....  | <b>10</b> |
| 8. <b>WATER VALVE</b> .....        | <b>11</b> |
| 9. <b>MOUNTING PLATE KIT</b> ..... | <b>12</b> |
| 10. <b>SCREW KIT</b> .....         | <b>13</b> |
| 11. <b>SEAL KIT</b> .....          | <b>14</b> |
| 12. <b>PLUG KIT</b> .....          | <b>16</b> |
| 13. <b>UNLOADER VALVE</b> .....    | <b>17</b> |

## MAIN COMPONENTS



| POS | PART NUMBER | QTY | DESCRIPTION        | DETAILS | DETAILS 2              |
|-----|-------------|-----|--------------------|---------|------------------------|
| 1   |             | 1   | CENTER BODY        |         | See separate part list |
| 2   |             | 2   | HEAD               |         | See separate part list |
| 3   |             | 1   | PT BLOCK           |         | See separate part list |
| 4   |             | 1   | PISTON KIT         |         | See separate part list |
| 5   |             | 2   | SEAL FLANGE        |         | See separate part list |
| 6   |             | 1   | SUCTION MANIFOLD   |         | See separate part list |
| 7   |             | 1   | PRESSURE MANIFOLD  |         | See separate part list |
| 8   |             | 1   | WATER VALVE KIT    |         | See separate part list |
| 9   |             | 1   | MOUNTING PLATE KIT |         | See separate part list |
| 10  |             |     | SCREW KIT          |         | See separate part list |
| 11  |             |     | SEAL KIT           |         | See separate part list |
| 12  |             |     | PLUG KIT           |         | See separate part list |
| 13  |             |     | UNLOADER VALVE     |         | See separate part list |

## 1. CENTER BODY



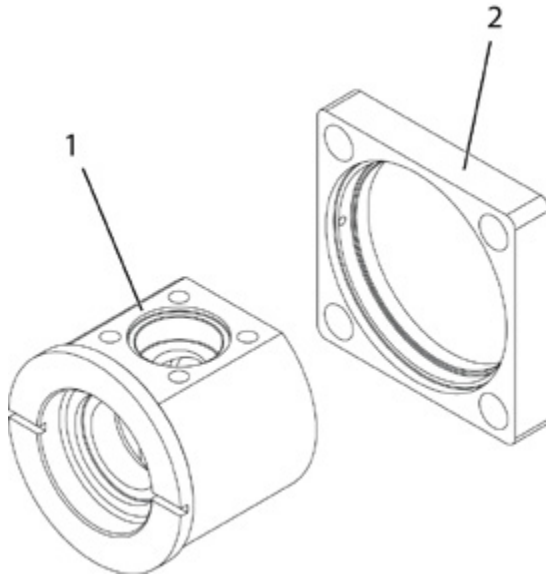
| POS | PART NUMBER  | QTY | DESCRIPTION             | DETAILS | DETAILS 2         |
|-----|--------------|-----|-------------------------|---------|-------------------|
| 1   | V100 101 500 | 1   | CENTER BODY             |         | Includes pos. 2-3 |
| 2   | *            | 1   | HEXAGON SOCKET CAP PLUG | R1/8    |                   |
| 3   | *            | 1   | O-RING                  | 87 x 3  |                   |

| POS | PART NUMBER  | QTY | DESCRIPTION             | DETAILS         | DETAILS 2         |
|-----|--------------|-----|-------------------------|-----------------|-------------------|
| 1   | V100 101 520 | 1   | CENTER BODY AIS         | Stainless steel | Includes pos. 2-3 |
| 2   | *            | 1   | HEXAGON SOCKET CAP PLUG | R1/8            | Stainless steel   |
| 3   | *            | 1   | O-RING                  | 87 x 3          |                   |

\* Not sold separately. Available only in kit or assembly described above or presented in separate part list.  
Read Details 2

Plugs are also available in Plug kit, see page 16.  
Seals are also available in Seal kit, see page 14.

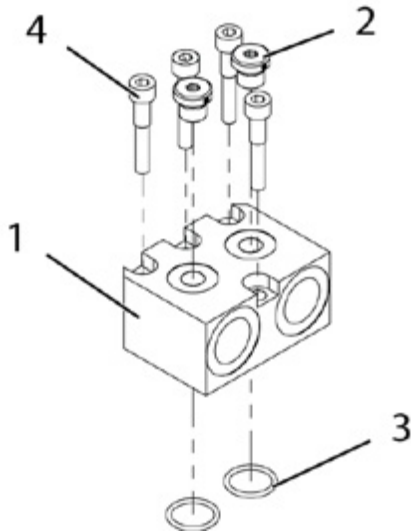
## 2. HEAD



| POS | PART NUMBER  | QTY | DESCRIPTION              | DETAILS         | DETAILS 2        |
|-----|--------------|-----|--------------------------|-----------------|------------------|
| 1   | V100 102 350 | 1   | HEAD                     |                 |                  |
| 1   | V100 102 349 | 1   | HEAD SUB                 | Stainless steel |                  |
| 2   | V100 102 374 | 1   | HEAD MOUNTING FLANGE     |                 |                  |
| 2   | V100 102 375 | 1   | HEAD MOUNTING FLANGE SUB | Stainless steel | Includes O-rings |

Seals are available in Seal kit, see page 14.

### 3. PT BLOCK



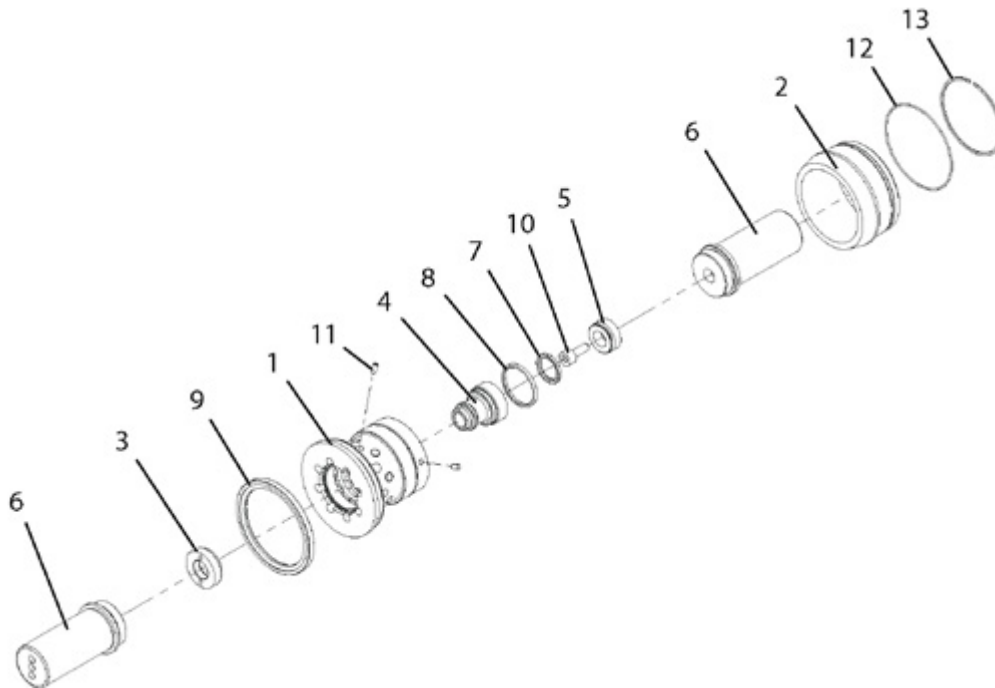
| POS | PART NUMBER         | QTY | DESCRIPTION              | DETAILS    | DETAILS 2                |
|-----|---------------------|-----|--------------------------|------------|--------------------------|
|     | <b>V100 100 710</b> |     | <b>PT BLOCK</b>          |            | <b>Includes pos. 1-4</b> |
| 1   | *                   | 1   | PT BLOCK                 | R3/4 - St  |                          |
| 2   | *                   | 2   | HEXAGON SOCKET CAP PLUG  | R1/4       |                          |
| 3   | *                   | 2   | O-RING                   | 21,3 x 2,4 |                          |
| 4   | *                   | 4   | HEXAGON SOCKET CAP SCREW | M8x45      |                          |

| POS | PART NUMBER         | QTY | DESCRIPTION              | DETAILS    | DETAILS 2                |
|-----|---------------------|-----|--------------------------|------------|--------------------------|
|     | <b>V100 100 720</b> |     | <b>PT BLOCK - AIS</b>    |            | <b>Includes pos. 1-4</b> |
| 1   | *                   | 1   | PT BLOCK                 | R3/4       | Stainless Steel          |
| 2   | *                   | 2   | HEXAGON SOCKET CAP PLUG  | R1/4       | Stainless Steel          |
| 3   | *                   | 2   | O-RING                   | 21,3 x 2,4 |                          |
| 4   | *                   | 4   | HEXAGON SOCKET CAP SCREW | M8x45      | Stainless Steel          |

\* Not sold separately. Available only in kit or assembly described above or presented in separate part list.  
Read Details 2

Seals are also available in Seal kit, see page 14.  
Screws are also available in Screw kit, see page 13.

## 4. PISTON

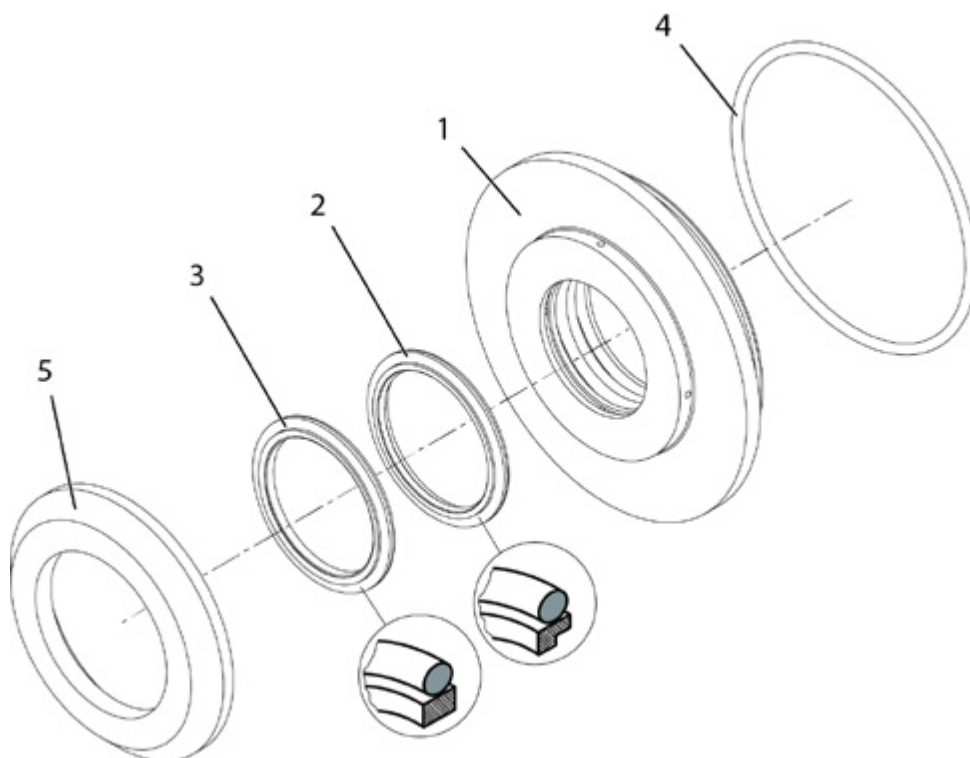


| POS | PART NUMBER         | QTY | DESCRIPTION                 | DETAILS  | DETAILS 2                            |
|-----|---------------------|-----|-----------------------------|--|--------------------------------------|
|     | <b>V100 102 361</b> |     | <b>PISTON KIT</b>           | <b>Piston kit includes 2 Secondary pistons</b> | <b>Includes pos. 1-13</b>            |
| 1   | *                   | 1   | HYDRAULIC PISTON            | D90 / d69,7                                    |                                      |
| 2   | *                   | 1   | CYLINDER LINER              | D90 / d69,7                                    |                                      |
| 3   | *                   | 1   | VALVE SEAT                  | D35,5-10,5                                     |                                      |
| 4   | *                   | 1   | VALVE SPOOL                 | D36-41,5                                       |                                      |
| 5   | V100 102 529        | 1   | REVERSAL VALVE GUIDE        | D28,5 - L12                                    | Includes pos. 7, 10                  |
| 6   | V100 102 359        | 1   | SECONDARY PISTON            | D40  |                                      |
| 7   | *                   | 1   | PISTON SEAL ASSEMBLY        | M28,5  |                                      |
| 8   | *                   | 1   | ROD SEAL                    | 36/41-3-2T                                     |                                      |
| 9   | *                   | 1   | PISTON SEAL ASSEMBLY        | M90  |                                      |
| 10  | *                   | 1   | HEXAGON SOCKET CAP SCREW    | M8x16  |                                      |
| 11  | *                   | 2   | SET SCREW                   | M5x10  |                                      |
| 12  | *                   | 1   | O-RING                      | 87,00 x 3                                      |                                      |
| 13  | *                   | 1   | LOCK RING                   | SW85 x 2,5                                     |                                      |
|     | <b>V100 102 360</b> |     | <b>HYDRAULIC PISTON KIT</b> | <b>Secondary pistons excluded</b>              | <b>Includes pos. 1-4, 8-9, 11-13</b> |

\* Not sold separately. Available only in kit or assembly described above or presented in separate part list.  
Read Details 2

Seals are also available in Seal kit, see page 14.

## 5. SEAL FLANGE



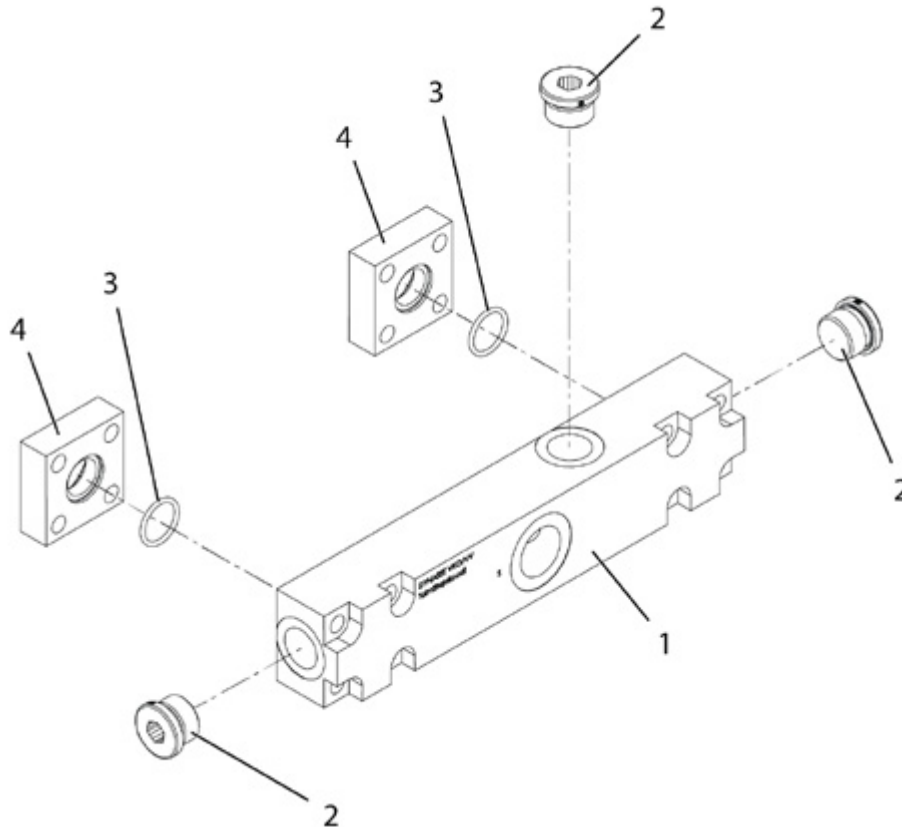
| POS | PART NUMBER         | QTY | DESCRIPTION            | DETAILS                                       | DETAILS 2                 |
|-----|---------------------|-----|------------------------|---|---------------------------|
|     | <b>V100 102 345</b> |     | <b>SEAL FLANGE KIT</b> | <b>Without water seal flange</b>              | <b>Includes pos. 1-4</b>  |
| 1   | *                   | 1   | FLANGE BODY            | d40   |                           |
| 2   | *                   | 1   | WATER PISTON SEAL      | 1T  |                           |
| 3   | *                   | 1   | WATER PISTON SEAL      | 2T  |                           |
| 4   | *                   | 1   | O-RING                 | 84,5 x 3                                      |                           |
| 5   | V100 102 348        | 1   | WATER SEAL FLANGE      | D65/d55-8                                     |                           |
|     | <b>V100 102 351</b> |     | <b>SEAL FLANGE KIT</b> | <b>With water seal flange, seals excluded</b> | <b>Includes pos. 1, 5</b> |

\* Not sold separately. Available only in kit or assembly described above or presented in separate part list.  
Read Details 2

Seals are also available in Seal kit, see page 14.



## 6. SUCTION MANIFOLD

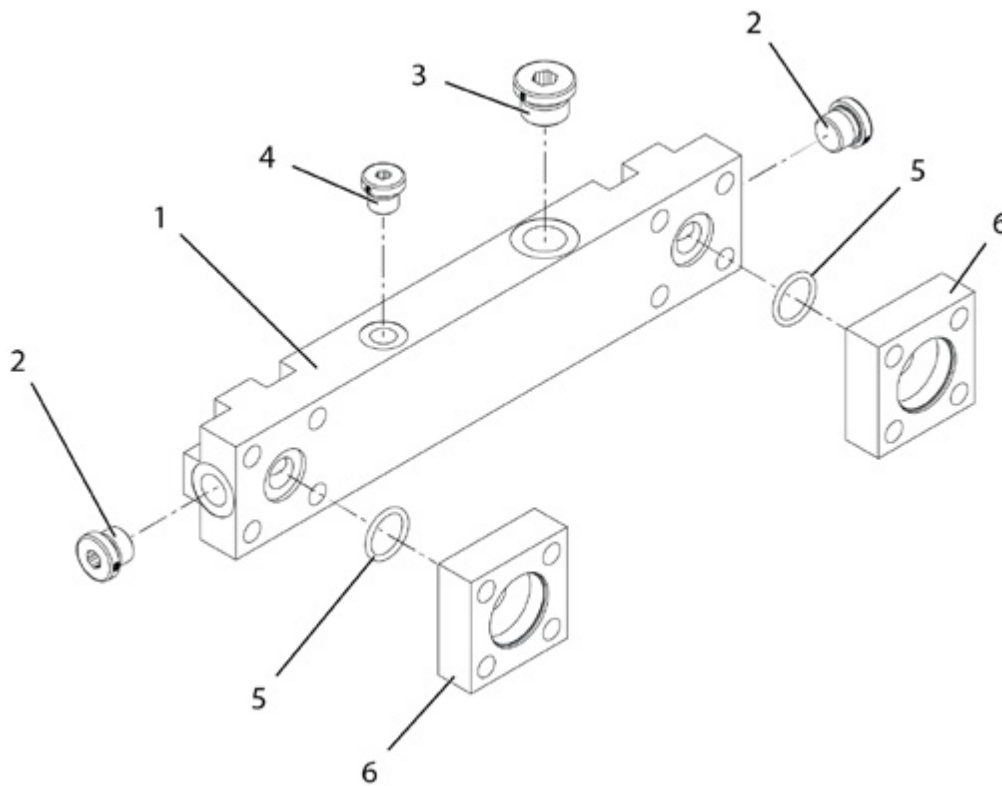


| POS | PART NUMBER         | QTY | DESCRIPTION                 | DETAILS      | DETAILS 2                |
|-----|---------------------|-----|-----------------------------|--------------|--------------------------|
|     | <b>V100 102 368</b> |     | <b>SUCTION MANIFOLD KIT</b> |              | <b>Includes pos. 1-3</b> |
| 1   | *                   | 1   | SUCTION MANIFOLD            | R1           |                          |
| 2   | *                   | 3   | HEXAGON SOCKET CAP PLUG     | R3/4         | Stainless steel          |
| 3   | *                   | 2   | O-RING                      | 23,47 x 2,63 |                          |
| 4   | V100 102 354        | 1   | WATER VALVE HOUSING         | Suction      | Stainless steel          |

\* Not sold separately. Available only in kit or assembly described above or presented in separate part list.  
Read Details 2

Plugs are also available in Plug kit, see page 16.  
Seals are also available in Seal kit, see page 14.

## 7. PRESSURE MANIFOLD



| POS | PART NUMBER         | QTY | DESCRIPTION                  | DETAILS     | DETAILS 2                |
|-----|---------------------|-----|------------------------------|-------------|--------------------------|
|     | <b>V100 102 369</b> |     | <b>PRESSURE MANIFOLD KIT</b> |             | <b>Includes pos. 1-5</b> |
| 1   | *                   | 1   | PRESSURE MANIFOLD            |             |                          |
| 2   | *                   | 2   | HEXAGON SOCKET CAP PLUG      | R3/8        | Stainless steel          |
| 3   | *                   | 1   | HEXAGON SOCKET CAP PLUG      | R1/2        | Stainless steel          |
| 4   | *                   | 1   | HEXAGON SOCKET CAP PLUG      | R1/4        | Stainless steel          |
| 5   | *                   | 2   | O-RING                       | 20,3 x 2,62 |                          |
| 6   | V100 102 353        | 1   | WATER VALVE HOUSING          | Pressure    | Stainless steel          |

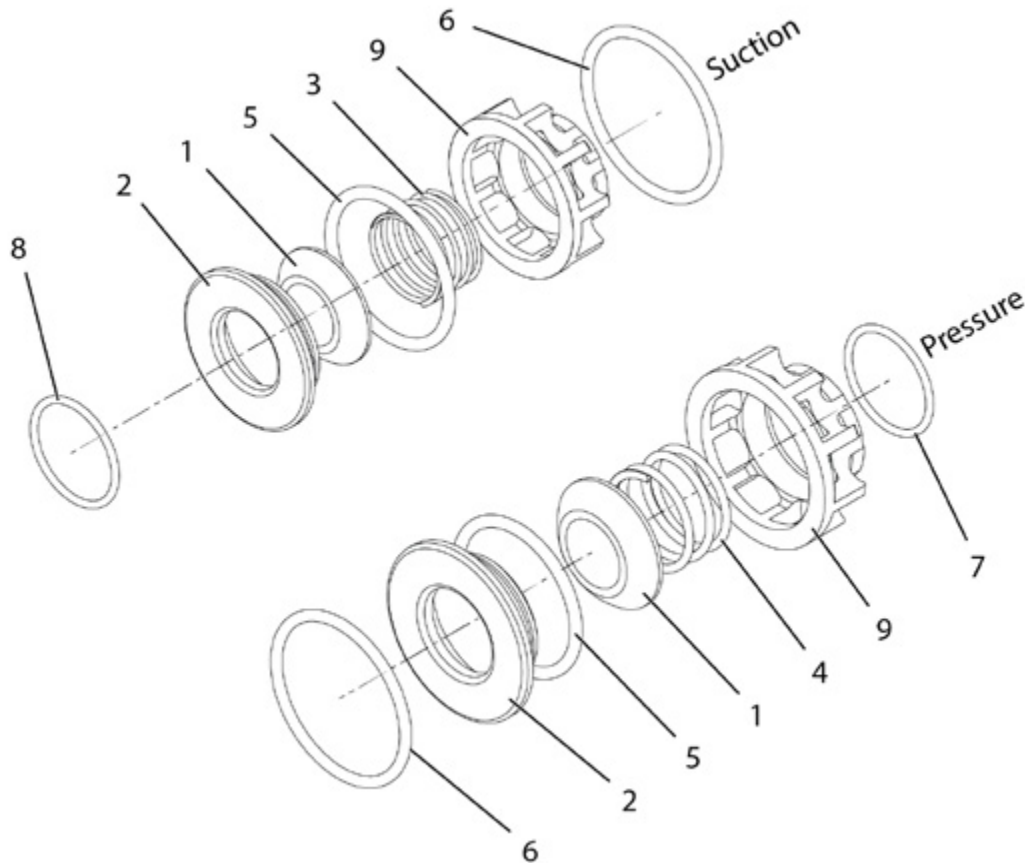
\* Not sold separately. Available only in kit or assembly described above or presented in separate part list.

Read Details 2

Plugs are also available in Plug kit, see page 16.

Seals are also available in Seal kit, see page 14.

## 8. WATER VALVE



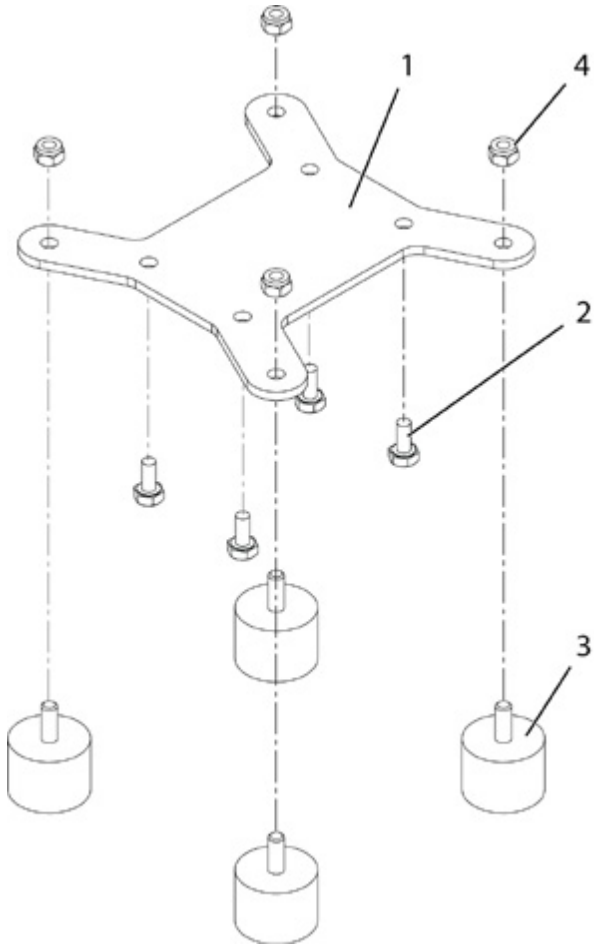
**!** NOTE! The pressure valve's (4) spring has less turns than the suction valve's (3) spring.

| POS | PART NUMBER         | QTY | DESCRIPTION                | DETAILS                         | DETAILS 2                |
|-----|---------------------|-----|----------------------------|---------------------------------|--------------------------|
|     | <b>V100 102 355</b> |     | <b>WATER VALVE KIT</b>     | <b>Water valve cap excluded</b> | <b>Includes pos. 1-8</b> |
| 1   | *                   | 4   | WATER VALVE SEAT           |                                 |                          |
| 2   | *                   | 4   | WATER VALVE DISK           |                                 |                          |
| 3   | *                   | 2   | SPRING                     | Suction                         |                          |
| 4   | *                   | 2   | SPRING                     | Pressure                        |                          |
| 5   | *                   | 4   | O-RING                     | 31,42 x 2,62                    |                          |
| 6   | *                   | 4   | O-RING                     | 37,77 x 2,62                    |                          |
| 7   | *                   | 2   | O-RING                     | 20,3 x 2,62                     |                          |
| 8   | *                   | 2   | O-RING                     | 23,47 x 2,62                    |                          |
| 9   | V100 102 357        | 1   | WATER VALVE CAP            |                                 |                          |
|     | <b>V100 102 356</b> |     | <b>WATER VALVE KIT HOT</b> |                                 | <b>Includes pos. 1-8</b> |

\* Not sold separately. Available only in kit or assembly described above or presented in separate part list.  
Read Details 2

Seals are also available in Seal kit, see page 14.

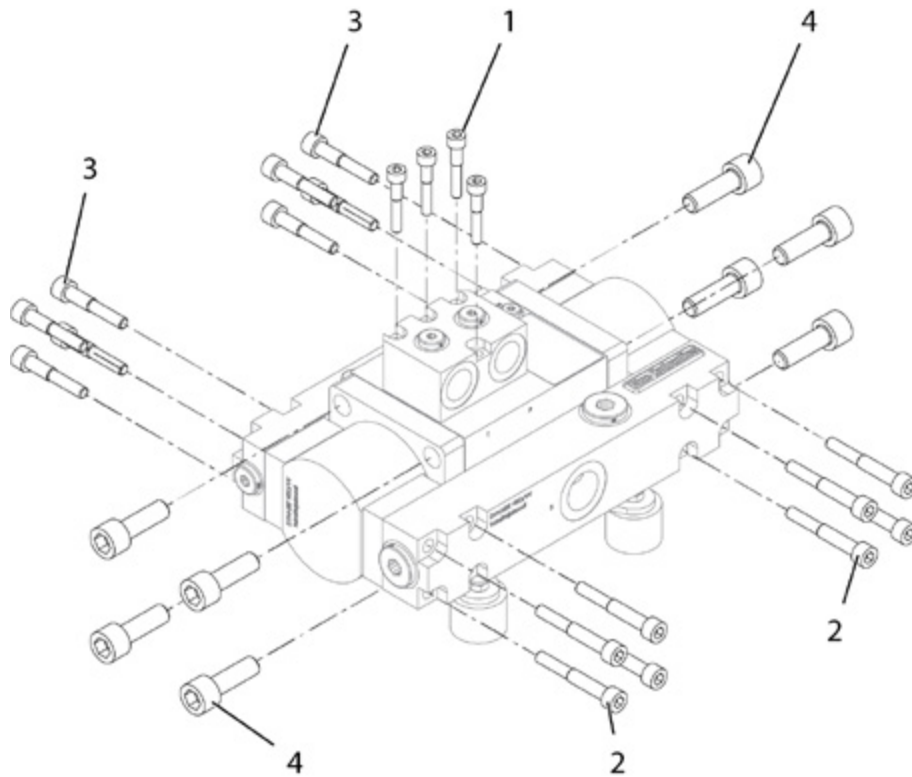
## 9. MOUNTING PLATE KIT



| POS | PART NUMBER         | QTY | DESCRIPTION               | DETAILS | DETAILS 2                         |
|-----|---------------------|-----|---------------------------|---------|-----------------------------------|
|     | <b>V100 102 274</b> |     | <b>MOUNTING PLATE KIT</b> |         | <b>Includes pos 1-4</b>           |
| 1   | *                   | 1   | MOUNTING PLATE            |         |                                   |
| 2   | *                   | 4   | HEXAGON SOCKET CAP SCREW  | M8x16   |                                   |
| 3   | <b>V100 100 000</b> | 1   | <b>RUBBER CUSHION KIT</b> |         | <b>Includes 4 rubber cushions</b> |
| 4   | *                   | 4   | LOCK NUT                  | M8      |                                   |

\* Not sold separately. Available only in kit or assembly described above or presented in separate part list.  
Read Details 2

## 10. SCREW KIT



| POS | PART NUMBER         | QTY | DESCRIPTION              | DETAILS | DETAILS 2                |
|-----|---------------------|-----|--------------------------|---------|--------------------------|
|     | <b>V100 102 352</b> |     | <b>SCREW KIT</b>         |         | <b>Includes pos. 1-4</b> |
| 1   | *                   | 4   | HEXAGON SOCKET CAP SCREW | M8x45   |                          |
| 2   | *                   | 8   | HEXAGON SOCKET CAP SCREW | M10x55  |                          |
| 3   | *                   | 8   | HEXAGON SOCKET CAP SCREW | M10x70  |                          |
| 4   | *                   | 8   | HEXAGON SOCKET CAP SCREW | M16x45  |                          |

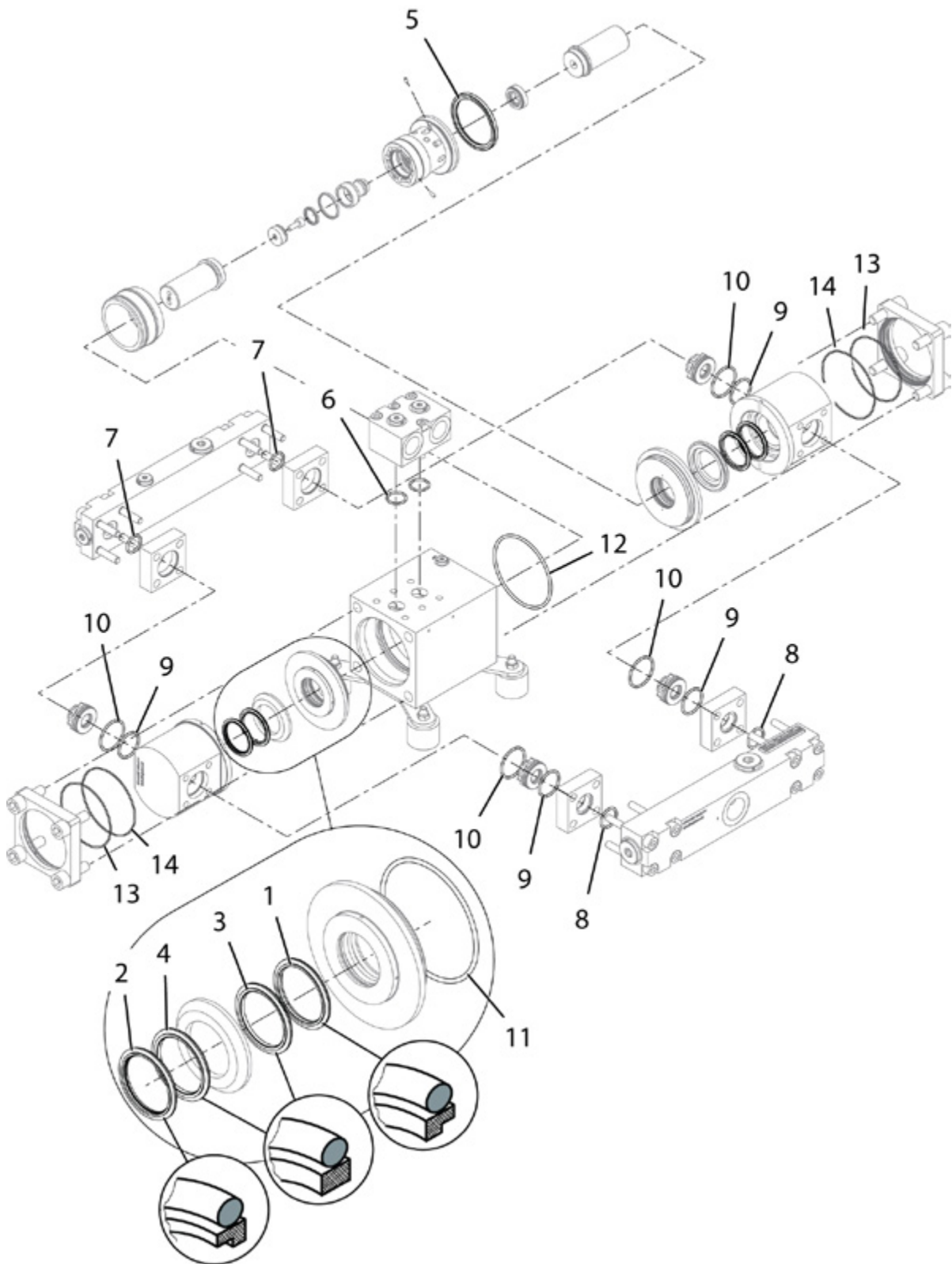
| POS | PART NUMBER         | QTY | DESCRIPTION              | DETAILS | DETAILS 2                |
|-----|---------------------|-----|--------------------------|---------|--------------------------|
|     | <b>V100 102 370</b> |     | <b>SCREW KIT M</b>       |         | <b>Includes pos. 1-4</b> |
| 1   | *                   | 4   | HEXAGON SOCKET CAP SCREW | M8x45   | Stainless steel          |
| 2   | *                   | 8   | HEXAGON SOCKET CAP SCREW | M10x55  | Special coating          |
| 3   | *                   | 8   | HEXAGON SOCKET CAP SCREW | M10x70  | Special coating          |
| 4   | *                   | 8   | HEXAGON SOCKET CAP SCREW | M16x45  | Special coating          |

| POS | PART NUMBER         | QTY | DESCRIPTION              | DETAILS | DETAILS 2                |
|-----|---------------------|-----|--------------------------|---------|--------------------------|
|     | <b>V100 102 371</b> |     | <b>SCREW KIT SUB</b>     |         | <b>Includes pos. 1-4</b> |
| 1   | *                   | 4   | HEXAGON SOCKET CAP SCREW | M8x45   | Stainless steel          |
| 2   | *                   | 8   | HEXAGON SOCKET CAP SCREW | M10x55  | Special coating          |
| 3   | *                   | 8   | HEXAGON SOCKET CAP SCREW | M10x70  | Special coating          |
| 4   | *                   | 8   | HEXAGON SOCKET CAP SCREW | M16x45  | Special coating          |

\* Not sold separately. Available only in kit or assembly described above or presented in separate part list.  
Read Details 2

**!** NOTE! Tightening torques can be found in user manual.

**11. SEAL KIT**

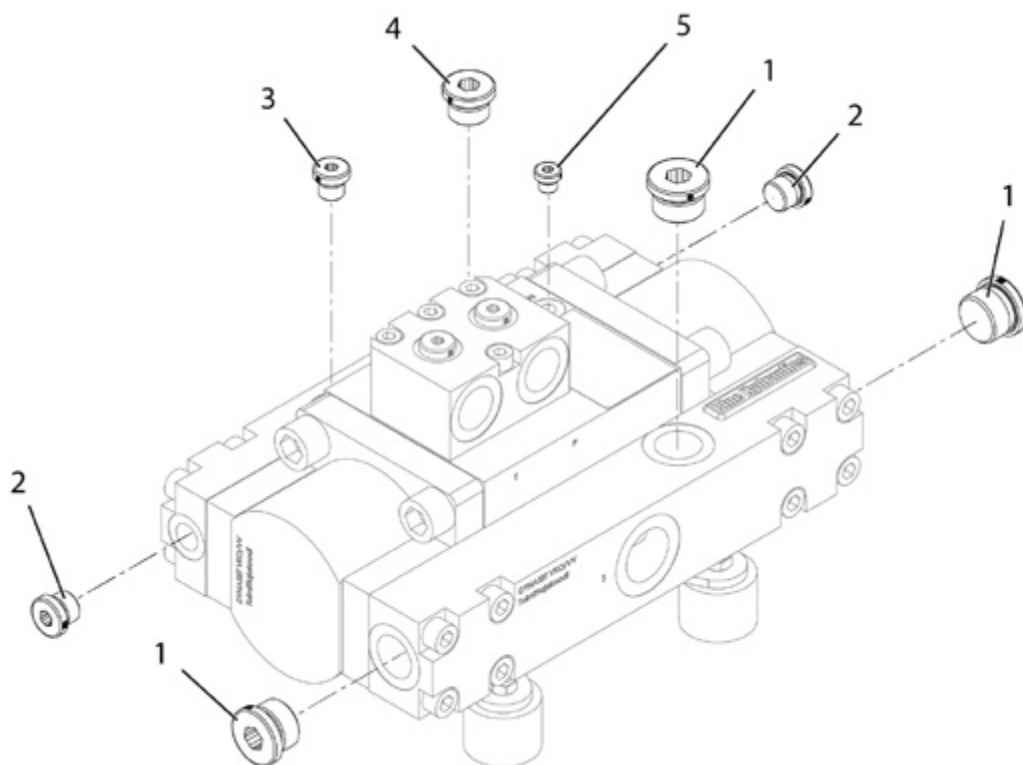


**SPARE PARTS**

| POS | PART NUMBER  | QTY | DESCRIPTION          | DETAILS           | DETAILS 2          |
|-----|--------------|-----|----------------------|-------------------|--------------------|
|     | V100 102 275 |     | SEAL KIT             | HPW460/50-115     | Includes pos. 1-12 |
|     | V100 102 277 |     | SEAL KIT             | HPW460/50-115-SUB | Includes pos. 1-14 |
| 1   | *            | 2   | ROD SEAL             | 1T                | Includes O-ring    |
| 2   | *            | 2   | ROD SEAL             | 1T - white        | Includes O-ring    |
| 3   | *            | 2   | ROD SEAL             | 2T                | Includes O-ring    |
| 4   | *            | 2   | ROD SEAL             | 2T - white        | Includes O-ring    |
| 5   | *            | 1   | PISTON SEAL ASSEMBLY | M90               | Includes O-ring    |
| 6   | *            | 2   | O-RING               | 21,3 x 2,4        |                    |
| 7   | *            | 2   | O-RING               | 20,3 x 2,62       |                    |
| 8   | *            | 2   | O-RING               | 23,47 x 2,62      |                    |
| 9   | *            | 4   | O-RING               | 31,42 x 2,62      |                    |
| 10  | *            | 4   | O-RING               | 37,77 x 2,62      |                    |
| 11  | *            | 2   | O-RING               | 84,5 x 3          |                    |
| 12  | *            | 1   | O-RING               | 87 x 3            |                    |
| 13  | *            | 2   | O-RING               | 100 x 2,00        |                    |
| 14  | *            | 2   | O-RING               | 105 x 2,00        |                    |

\* Not sold separately. Available only in kit or assembly described above or presented in separate part list.  
Read Details 2

## 12. PLUG KIT



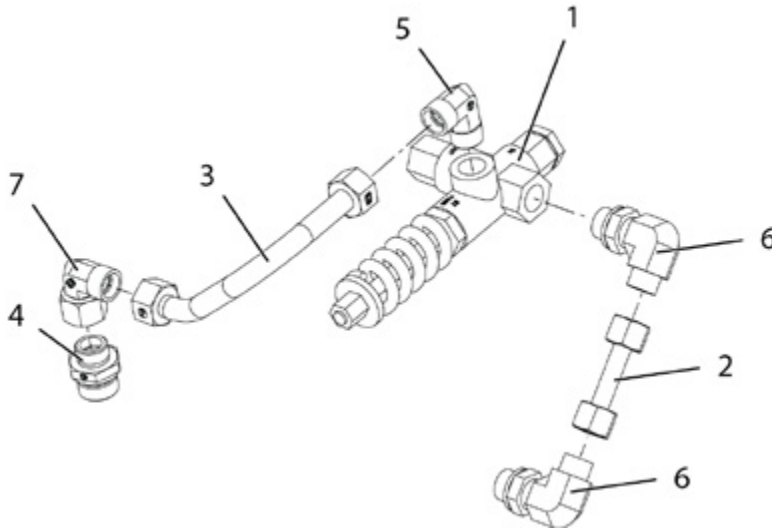
| POS | PART NUMBER         | QTY | DESCRIPTION             | DETAILS | DETAILS 2               |
|-----|---------------------|-----|-------------------------|---------|-------------------------|
|     | <b>V100 102 376</b> |     | <b>PLUG KIT</b>         |         | <b>Includes pos 1-5</b> |
| 1   | *                   | 3   | HEXAGON SOCKET CAP PLUG | R3/4    |                         |
| 2   | *                   | 2   | HEXAGON SOCKET CAP PLUG | R3/8    | Stainless steel         |
| 3   | *                   | 1   | HEXAGON SOCKET CAP PLUG | R1/4    | Stainless steel         |
| 4   | *                   | 1   | HEXAGON SOCKET CAP PLUG | R1/2    | Stainless steel         |
| 5   | *                   | 1   | HEXAGON SOCKET CAP PLUG | R1/8    |                         |

| POS | PART NUMBER         | QTY | DESCRIPTION             | DETAILS | DETAILS 2               |
|-----|---------------------|-----|-------------------------|---------|-------------------------|
|     | <b>V100 102 377</b> |     | <b>PLUG KIT SUB</b>     |         | <b>Includes pos 1-5</b> |
| 1   | *                   | 3   | HEXAGON SOCKET CAP PLUG | R3/4    | Stainless steel         |
| 2   | *                   | 2   | HEXAGON SOCKET CAP PLUG | R3/8    | Stainless steel         |
| 3   | *                   | 1   | HEXAGON SOCKET CAP PLUG | R1/4    | Stainless steel         |
| 4   | *                   | 1   | HEXAGON SOCKET CAP PLUG | R1/2    | Stainless steel         |
| 5   | *                   | 1   | HEXAGON SOCKET CAP PLUG | R1/8    | Stainless steel         |

\* Not sold separately. Available only in kit or assembly described above or presented in separate part list.  
Read Details 2



### 13. UNLOADER VALVE



| POS | PART NUMBER         | QTY | DESCRIPTION                            | DETAILS                 | DETAILS 2               |
|-----|---------------------|-----|--|-------------------------|-------------------------|
|     | <b>V100 102 363</b> |     | <b>UNLOADER VALVE KIT</b>              |                         | <b>Includes pos 1-7</b> |
| 1   | V100 102 367        | 1   | UNLOADER VALVE                         |                         |                         |
| 2   | *                   | 1   | PIPE ASSEMBLY                          | Pressure                |                         |
| 3   | *                   | 1   | PIPE ASSEMBLY                          | Bypass                  |                         |
| 4   | *                   | 1   | STRAIGHT MALE STUD COUPLING            | 15L R3/4                |                         |
| 5   | *                   | 1   | ELBOW MALE COUPLING                    | 15L RK1/2               |                         |
| 6   | *                   | 2   | ADJUSTABLE ELBOW COUPLING              | 12S R1/2                |                         |
| 7   | *                   | 1   | ADJUSTABLE ELBOW COUPLING MALE         | 15L                     |                         |
|     | <b>V100 102 364</b> |     | <b>UNLOADER VALVE INSTALLATION KIT</b> | Unloader valve excluded | Includes pos 2-7        |
|     | <b>V100 102 372</b> |     | <b>UNLOADER VALVE PIPE KIT</b>         |                         | Includes pos 2-3        |
|     | <b>V100 102 373</b> |     | <b>UNLOADER VALVE SPRING</b>           |                         |                         |

\* Not sold separately. Available only in kit or assembly described above or presented in separate part list.  
Read Details 2