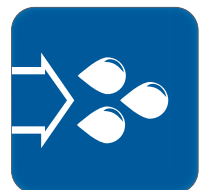


**SPARE PARTS**  
**HIGH PRESSURE WATER PUMPS**



HPW 520 /30-85

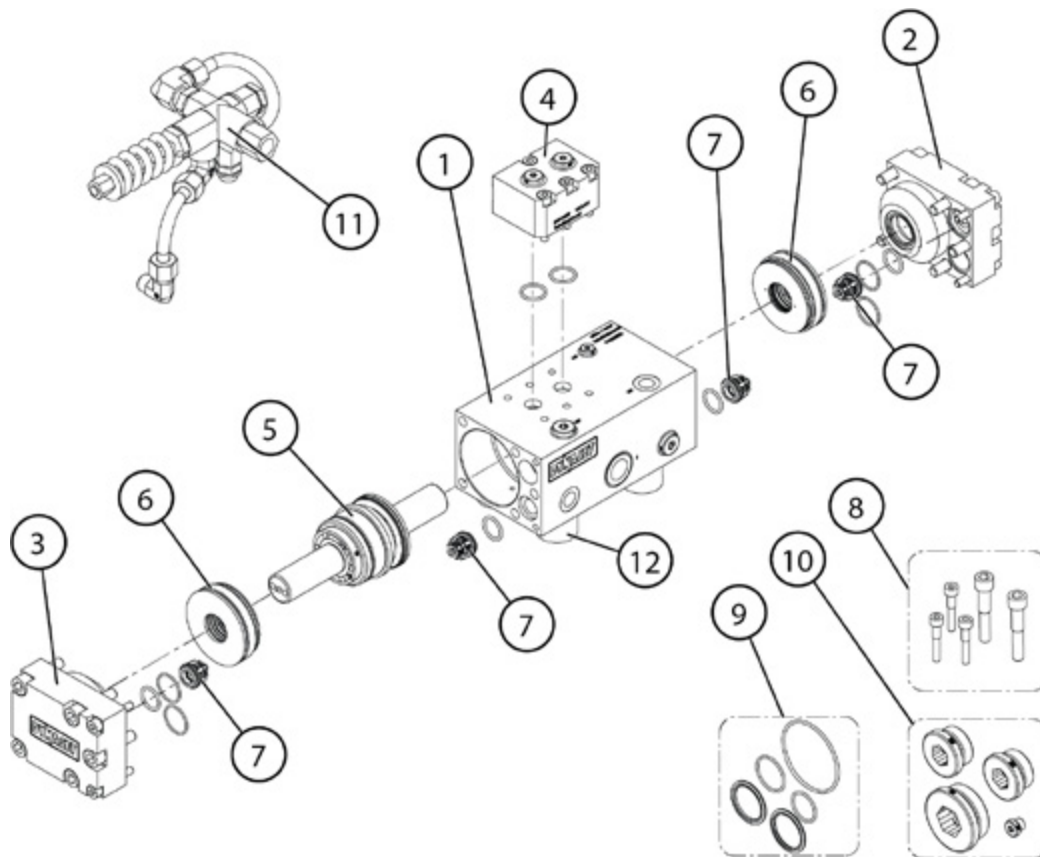
HPW520\_30-85\_Spare\_Parts\_MEA-PL1.0



SPARE PARTS

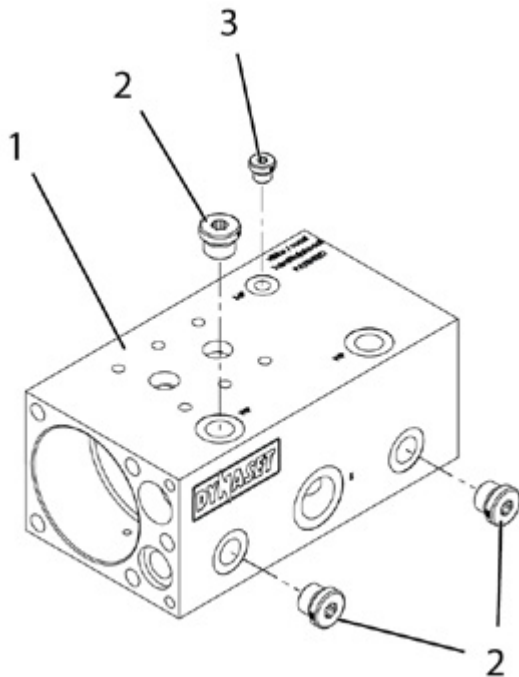
<b>MAIN COMPONENTS</b>	<b>3</b>
1. <b>CENTER BODY</b> .....	<b>4</b>
2. <b>HEAD RIGHT</b> .....	<b>5</b>
3. <b>HEAD LEFT</b> .....	<b>6</b>
4. <b>PT BLOCK</b> .....	<b>7</b>
5. <b>PISTON</b> .....	<b>8</b>
6. <b>SEAL FLANGE</b> .....	<b>9</b>
7. <b>WATER VALVE</b> .....	<b>10</b>
8. <b>SCREW KIT</b> .....	<b>11</b>
9. <b>SEAL KIT</b> .....	<b>12</b>
10. <b>PLUG KIT</b> .....	<b>14</b>
11. <b>UNLOADER VALVE</b> .....	<b>15</b>

## MAIN COMPONENTS



POS	PART NUMBER	QTY	DESCRIPTION	DETAILS	DETAILS 2
1		1	CENTER BODY		See separate part list
2		1	HEAD RIGHT		See separate part list
3		1	HEAD LEFT		See separate part list
4		1	PT BLOCK		See separate part list
5		1	PISTON		See separate part list
6		2	SEAL FLANGE		See separate part list
7		1	WATER VALVE KIT		See separate part list
8			SCREW KIT		See separate part list
9			SEAL KIT		See separate part list
10			PLUG KIT		See separate part list
11			UNLOADER VALVE		See separate part list
12	V100 100 001	1	RUBBER CUSHION KIT	D40 / H30 - M8	
	D214 901 060		PRESSURE GAUGE KIT		

## 1. CENTER BODY



POS	PART NUMBER	QTY	DESCRIPTION	DETAILS	DETAILS 2
1	V100 102 130	1	CENTER BODY	D75	Includes pos. 2-3
2	*	3	HEXAGON SOCKET CAP PLUG	R3/8	Stainless steel
3	*	1	HEXAGON SOCKET CAP PLUG	R1/8	Stainless steel

POS	PART NUMBER	QTY	DESCRIPTION	DETAILS	DETAILS 2
1	V100 102 132	1	CENTER BODY AB	D75 - AB	Includes pos. 2-3
2	*	3	HEXAGON SOCKET CAP PLUG	R3/8	Stainless steel
3	*	1	HEXAGON SOCKET CAP PLUG	R1/8	Stainless steel

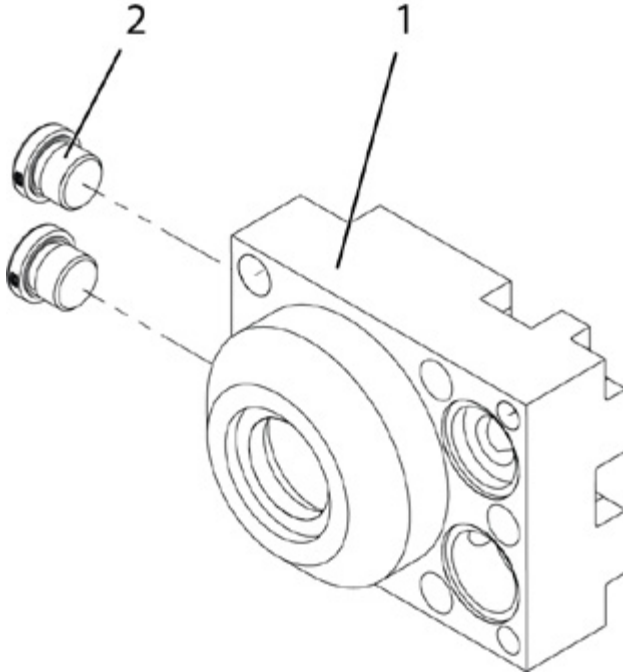
POS	PART NUMBER	QTY	DESCRIPTION	DETAILS	DETAILS 2
1	V100 102 133	1	CENTER BODY SUB	D75 - SUB	Includes pos. 2-3
2	*	3	HEXAGON SOCKET CAP PLUG	R3/8	Stainless steel
3	*	1	HEXAGON SOCKET CAP PLUG	R1/8	Stainless steel

POS	PART NUMBER	QTY	DESCRIPTION	DETAILS	DETAILS 2
1	V100 102 135	1	CENTER BODY AIS	D75 - AIS	Includes pos. 2-3
2	*	3	HEXAGON SOCKET CAP PLUG	R3/8	Stainless steel
3	*	1	HEXAGON SOCKET CAP PLUG	R1/8	Stainless steel

\* Not sold separately. Available only in kit or assembly described above or presented in separate part list.  
Read Details 2

Plugs are also available in Plug kit, see page 14.

## 2. HEAD RIGHT



POS	PART NUMBER	QTY	DESCRIPTION	DETAILS	DETAILS 2
1	V100 102 140	1	HEAD RIGHT	D79 / d30	Includes pos. 2
2	*	2	HEXAGON SOCKET CAP PLUG	R3/8	Stainless steel

POS	PART NUMBER	QTY	DESCRIPTION	DETAILS	DETAILS 2
1	V100 102 141	1	HEAD RIGHT AB	D79 / d30	Includes pos. 2
2	*	2	HEXAGON SOCKET CAP PLUG	R3/8	Stainless steel

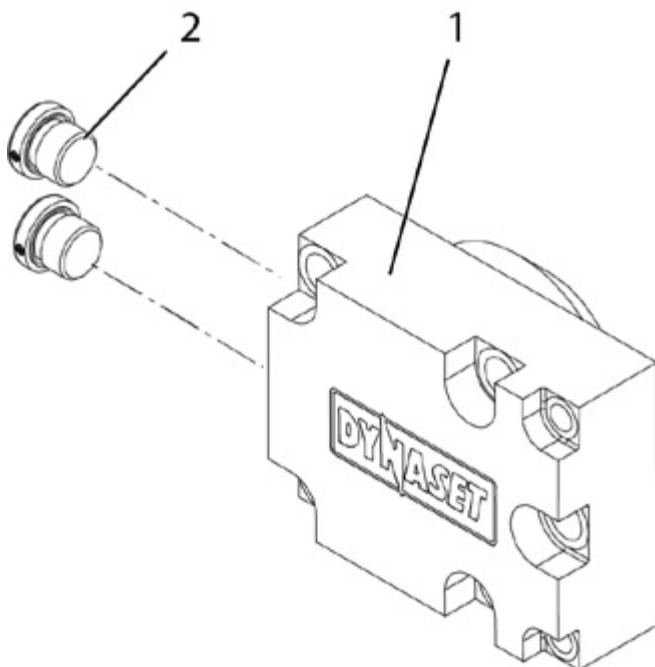
POS	PART NUMBER	QTY	DESCRIPTION	DETAILS	DETAILS 2
1	V100 102 142	1	HEAD RIGHT SUB	D79 / d30	Includes pos. 2
2	*	2	HEXAGON SOCKET CAP PLUG	R3/8	Stainless steel

POS	PART NUMBER	QTY	DESCRIPTION	DETAILS	DETAILS 2
1	V100 102 143	1	HEAD RIGHT AIS	D79 / d30	Includes pos. 2
2	*	2	HEXAGON SOCKET CAP PLUG	R3/8	Stainless steel

\* Not sold separately. Available only in kit or assembly described above or presented in separate part list.  
Read Details 2

Plugs are also available in Plug kit, see page 14.

### 3. HEAD LEFT



POS	PART NUMBER	QTY	DESCRIPTION	DETAILS	DETAILS 2
1	V100 102 145	1	HEAD LEFT	D79 / d30	Includes pos. 2
2	*	2	HEXAGON SOCKET CAP PLUG	R3/8	Stainless steel

POS	PART NUMBER	QTY	DESCRIPTION	DETAILS	DETAILS 2
1	V100 102 146	1	HEAD LEFT AB	D79 / d30	Includes pos. 2
2	*	2	HEXAGON SOCKET CAP PLUG	R3/8	Stainless steel

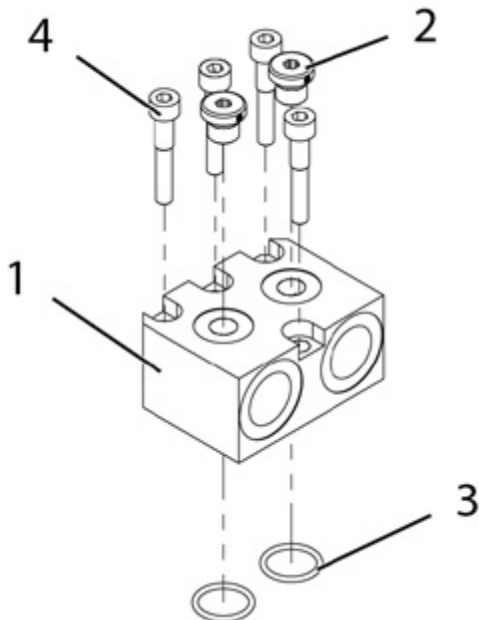
POS	PART NUMBER	QTY	DESCRIPTION	DETAILS	DETAILS 2
1	V100 102 147	1	HEAD LEFT SUB	D79 / d30	Includes pos. 2
2	*	2	HEXAGON SOCKET CAP PLUG	R3/8	Stainless steel

POS	PART NUMBER	QTY	DESCRIPTION	DETAILS	DETAILS 2
1	V100 102 148	1	HEAD LEFT AIS	D79 / d30	Includes pos. 2
2	*	2	HEXAGON SOCKET CAP PLUG	R3/8	Stainless steel

\* Not sold separately. Available only in kit or assembly described above or presented in separate part list.  
Read Details 2

Plugs are also available in Plug kit, see page 14.

## 4. PT BLOCK

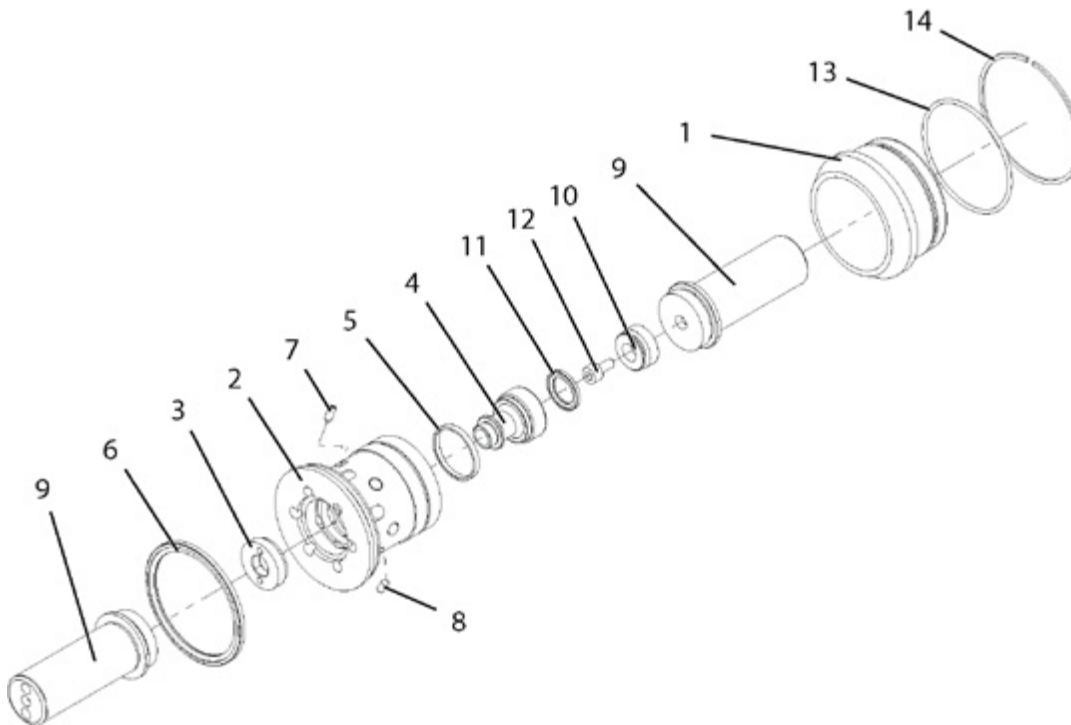


POS	PART NUMBER	QTY	DESCRIPTION	DETAILS	DETAILS 2
	<b>V100 100 710</b>		<b>PT BLOCK KIT - ST</b>		<b>Includes pos. 1-4</b>
1	*	1	PT BLOCK	R3/4 - St	Steel
2	*	2	HEXAGON SOCKET CAP PLUG	R1/4	
3	*	2	O-RING	21,3 x 2,4	
4	*	4	HEXAGON SOCKET CAP SCREW	M8x45	
POS	PART NUMBER	QTY	DESCRIPTION	DETAILS	DETAILS 2
	<b>V100 100 720</b>		<b>PT BLOCK KIT - AIS</b>		<b>Includes pos. 1-4</b>
1	*	1	PT BLOCK	R3/4 - AIS	Stainless Steel
2	*	2	HEXAGON SOCKET CAP PLUG	R1/4	Stainless Steel
3	*	2	O-RING	21,3 x 2,4	
4	*	4	HEXAGON SOCKET CAP SCREW	M8x45	Stainless Steel

\* Not sold separately. Available only in kit or assembly described above or presented in separate part list.  
Read Details 2

Screws are also available in Screw kit, see page 11.  
Seals are also available in Seal kit, see page 12.

## 5. PISTON



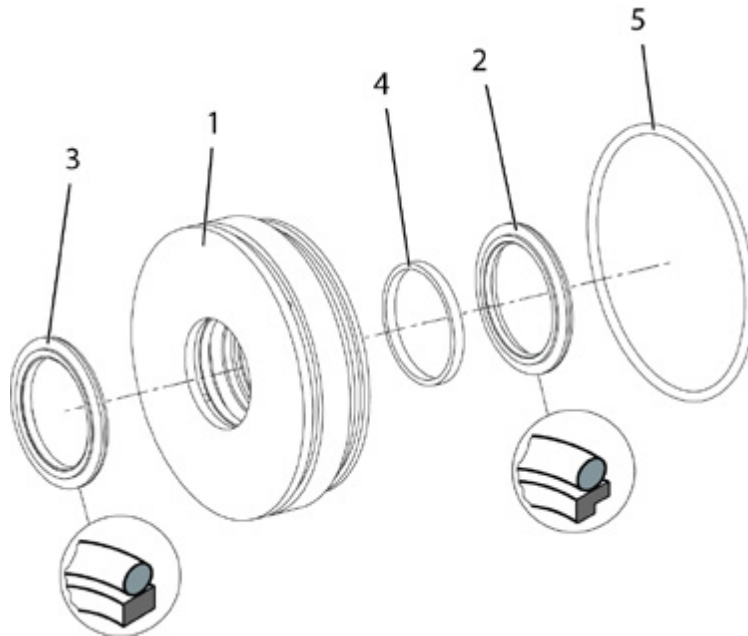
POS	PART NUMBER	QTY	DESCRIPTION	DETAILS	DETAILS 2
	<b>V100 102 110</b>		<b>PISTON KIT</b>	<b>Piston kit includes 2 Secondary pistons</b>	<b>Includes pos. 1-14</b>
1	*	1	CYLINDER LINER	D57,1	
2	*	1	HYDRAULIC PISTON	D75 / d57,1	
3	*	1	VALVE SEAT	D29,5-8	
4	*	1	VALVE SPOOL	D30-36,5	
5	*	1	ROD SEAL	30/33-3,5	
6	*	1	PISTON SEAL ASSEMBLY	M75	
7	*	1	SET SCREW	M5 x 10	
8	*	1	SET SCREW	M5 x 6	
9	V100 102 190	1	SECONDARY PISTON	D30	
10	V100 102 185	1	REVERSAL VALVE GUIDE	D22,5 - L21	Includes pos. 11-12
11	*	1	PISTON SEAL ASSEMBLY	M24	
12	*	1	HEXAGON SOCKET CAP SCREW	M6 x 12	
13	*	1	O-RING	69,52 x 2,62	
14	*	1	LOCK RING	68 x 2	
	<b>V100 102 100</b>		<b>HYDRAULIC PISTON KIT</b>	<b>Secondary pistons excluded</b>	<b>Includes pos. 1-8, 13-14</b>

\* Not sold separately. Available only in kit or assembly described above or presented in separate part list.  
Read Details 2

Seals are also available in Seal kit, see page 12.



## 6. SEAL FLANGE

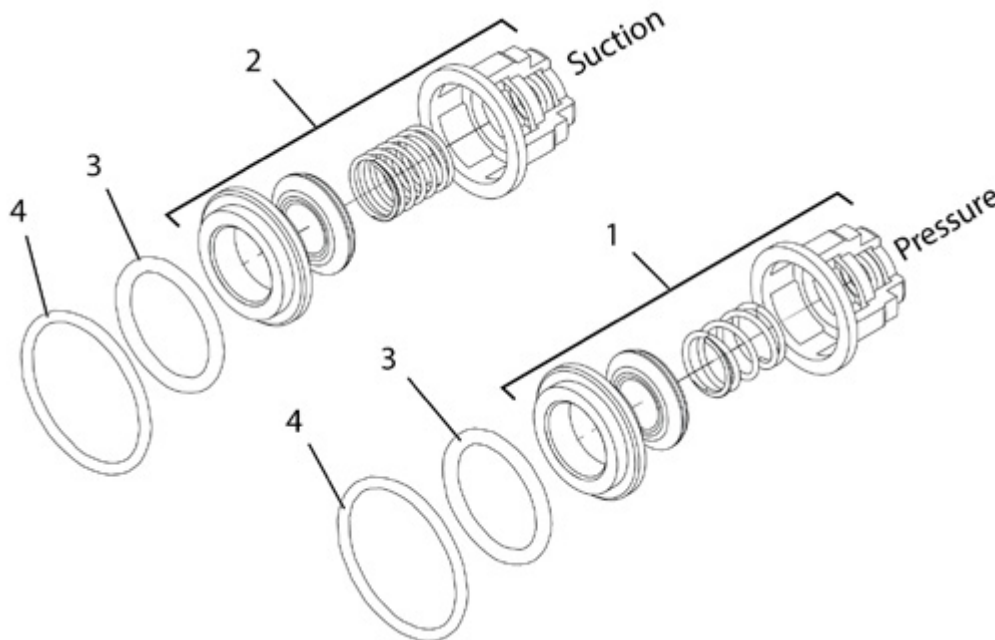


POS	PART NUMBER	QTY	DESCRIPTION	DETAILS	DETAILS 2
	<b>V100 102 155</b>		<b>SEAL FLANGE KIT</b>		Includes pos. 1-5
1	V100 102 150	1	SEAL FLANGE	D79 / d30	
2	*	1	WATER PISTON SEAL	1T	
3	*	1	WATER PISTON SEAL	2T	
4	*	1	WEAR RING	30/33-3	
5	*	1	O-RING	69,52 x 2,62	

\* Not sold separately. Available only in kit or assembly described above or presented in separate part list.  
Read Details 2

Seals are also available in Seal kit, see page 12.

## 7. WATER VALVE



**NOTE!** The pressure valve's spring (1) has less turns than the suction valve's (2) spring.

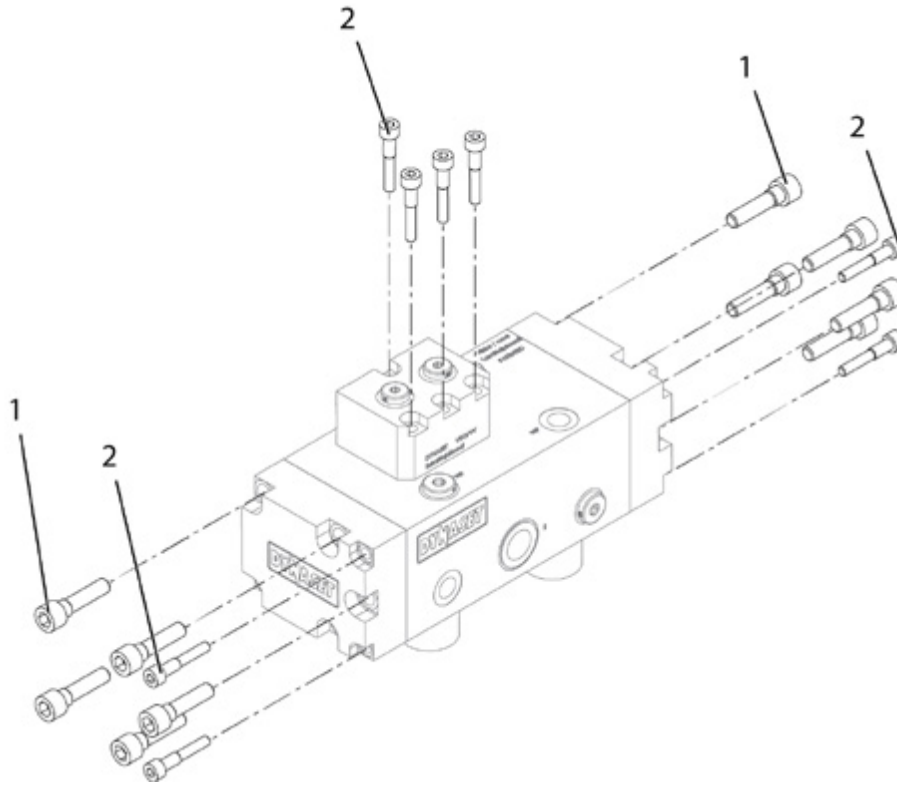
POS	PART NUMBER	QTY	DESCRIPTION	DETAILS	DETAILS 2
	<b>V100 102 195</b>		<b>WATER VALVE KIT</b>		Includes pos. 1-4
1	*	2	WATER VALVE	Pressure	
2	*	2	WATER VALVE	Suction	
3	*	4	O-RING	20,3 x 2,62	
4	*	4	O-RING	27 x 2	

POS	PART NUMBER	QTY	DESCRIPTION	DETAILS	DETAILS 2
	<b>V100 102 196</b>		<b>WATER VALVE KIT HOT</b>		Includes pos. 1-4
1	*	2	WATER VALVE	Pressure	
2	*	2	WATER VALVE	Suction	
3	*	4	O-RING	20,3 x 2,62	Green
4	*	4	O-RING	27 x 2	Green

\* Not sold separately. Available only in kit or assembly described above or presented in separate part list.  
Read Details 2

Seals are also available in Seal kit, see page 12.

## 8. SCREW KIT



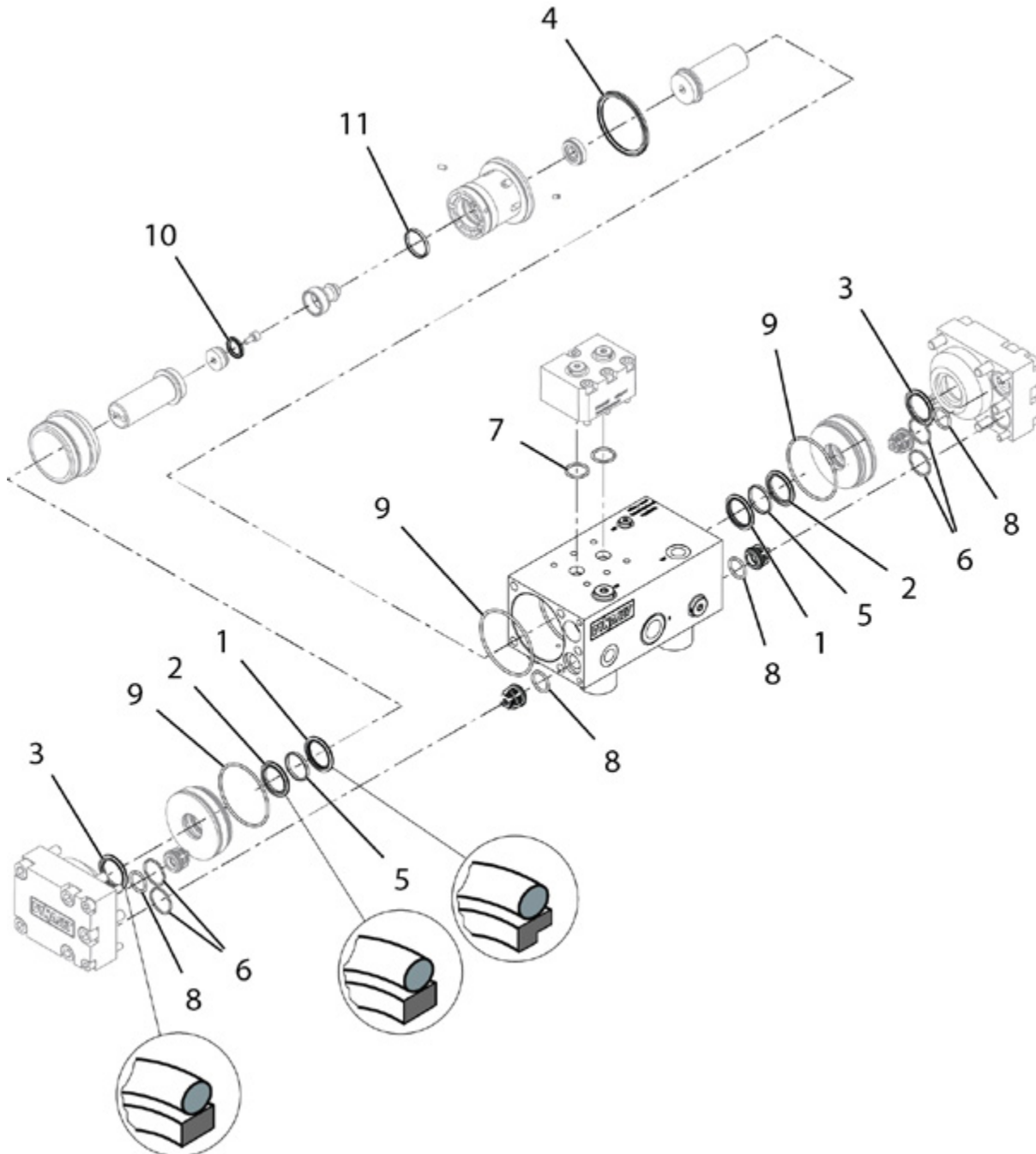
**NOTE!** Tightening torques can be found in user manual.

POS	PART NUMBER	QTY	DESCRIPTION	DETAILS	DETAILS 2
	<b>V100 102 200</b>		<b>SCREW KIT</b>		Includes pos. 1-2
1	*	10	HEXAGON SOCKET CAP SCREW	M12 x 45	
2	*	8	HEXAGON SOCKET CAP SCREW	M8 x 45	

POS	PART NUMBER	QTY	DESCRIPTION	DETAILS	DETAILS 2
	<b>V100 102 202</b>		<b>SCREW KIT M</b>		Includes pos. 1-2
1	*	10	HEXAGON SOCKET CAP SCREW	M12 x 45	Stainless steel
2	*	8	HEXAGON SOCKET CAP SCREW	M8 x 45	Stainless steel

\* Not sold separately. Available only in kit or assembly described above or presented in separate part list.  
Read Details 2

## 9. SEAL KIT



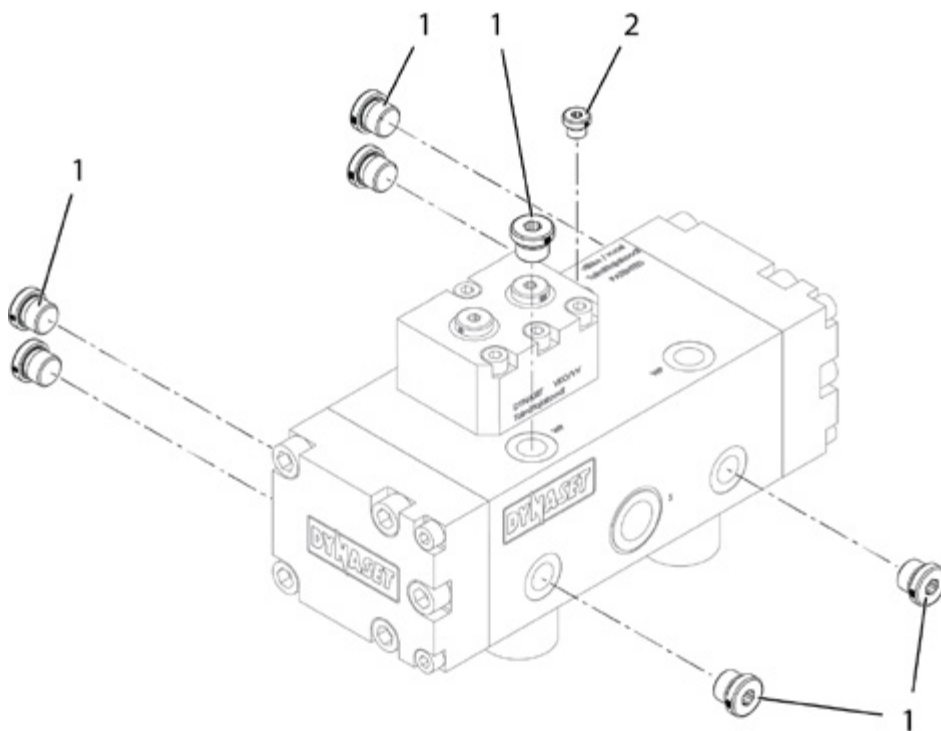
POS	PART NUMBER	QTY	DESCRIPTION	DETAILS	DETAILS 2
	<b>V100 102 115</b>		<b>SEAL KIT</b>		Includes pos. 1-9
1	*	2	WATER PISTON SEAL	1T	Includes o-ring
2	*	2	WATER PISTON SEAL	2T	Includes o-ring
3	*	2	WATER PISTON SEAL	2T - white	Includes o-ring
4	*	1	PISTON SEAL ASSEMBLY	M75	Includes o-ring
5	*	2	WEAR RING	30/33-3	
6	*	4	O-RING	27 x 2	
7	*	2	O-RING	21,3 x 2,4	
8	*	4	O-RING	20,3 x 2,62	
9	*	3	O-RING	69,52 X 2,62	

POS	PART NUMBER	QTY	DESCRIPTION	DETAILS	DETAILS 2
	<b>V100 102 120</b>		<b>SEAL KIT HOT</b>		Includes pos. 1-9
1	*	2	WATER PISTON SEAL	1T	Includes o-ring
2	*	2	WATER PISTON SEAL	2T	Includes o-ring
3	*	2	WATER PISTON SEAL	2T	Includes green o-ring
4	*	1	PISTON SEAL ASSEMBLY	M75	Includes o-ring
5	*	2	WEAR RING	30/33-3	
6	*	4	O-RING	27 x 2	Green
7	*	2	O-RING	21,3 x 2,4	
8	*	4	O-RING	20,3 x 2,62	Green
9	*	3	O-RING	69,52 X 2,62	Includes o-ring

POS	PART NUMBER	QTY	DESCRIPTION	DETAILS	DETAILS 2
	<b>V100 101 125</b>		<b>SEAL KIT HYDRAULIC PISTON</b>		Includes pos. 4, 10, 11
4	*	1	PISTON SEAL ASSEMBLY	M75	Includes o-ring
10	*	1	PISTON SEAL ASSEMBLY	M24	Includes o-ring
11	*	1	ROD SEAL	30/33-3	

\* Not sold separately. Available only in kit or assembly described above or presented in separate part list.  
Read Details 2

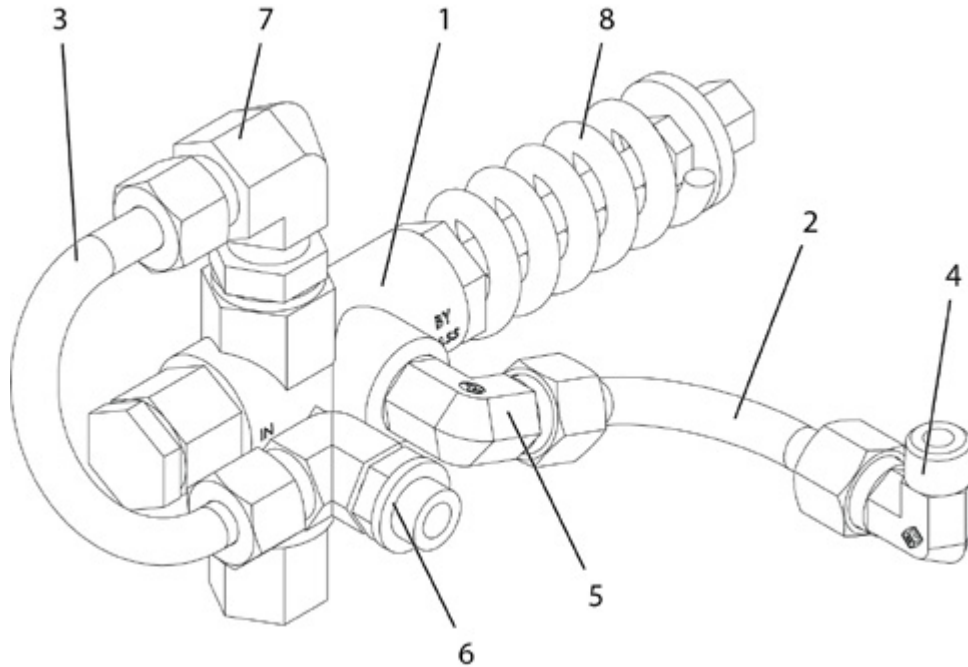
## 10. PLUG KIT



POS	PART NUMBER	QTY	DESCRIPTION	DETAILS	DETAILS 2
	<b>V100 102 137</b>		<b>PLUG KIT</b>		Includes pos. 1-2
1	*	7	HEXAGON SOCKET CAP PLUG	R3/8	Stainless steel
2	*	1	HEXAGON SOCKET CAP PLUG	R1/8	Stainless steel

\* Not sold separately. Available only in kit or assembly described above or presented in separate part list.  
Read Details 2

## 11. UNLOADER VALVE



POS	PART NUMBER	QTY	DESCRIPTION	DETAILS	DETAILS 2
	<b>V100 102 205</b>		<b>UNLOADER VALVE KIT</b>		Includes pos. 1-7
1	V100 102 215	1	UNLOADER VALVE	520 bar	Includes spring
2	*	1	PIPE ASSEMBLY	Pressure	
3	*	1	PIPE ASSEMBLY	Bypass	
4	*	1	ELBOW MALE COUPLING	12S RK3/8	
5	*	1	ELBOW MALE COUPLING	12S RK1/2	
6	*	1	ADJUSTABLE ELBOW COUPLING	12S R3/8	
7	*	1	ADJUSTABLE ELBOW COUPLING	12S R1/2	
8	V100 102 220		UNLOADER VALVE SPRING		
	<b>V100 102 214</b>		<b>UNLOADER VALVE PIPE ASSEMBLY</b>		Includes pos. 2-3
	<b>V100 102 210</b>		<b>UNLOADER VALVE INSTALLATION KIT</b>		Includes pos. 2-7

\* Not sold separately. Available only in kit or assembly described above or presented in separate part list.  
Read Details 2