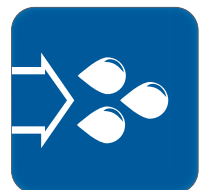




SPARE PARTS
HIGH PRESSURE WATER PUMPS



HPW 800 /30-140

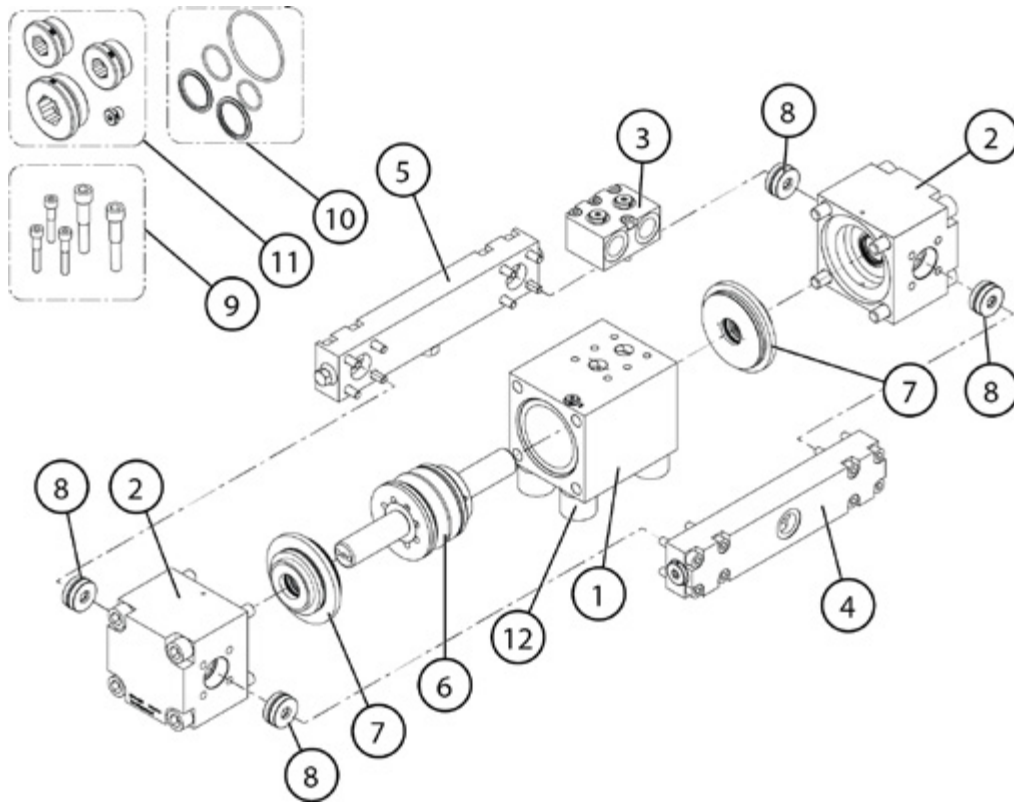
HPW800_30-140_Spare_Parts_MEA-PL1.0



SPARE PARTS

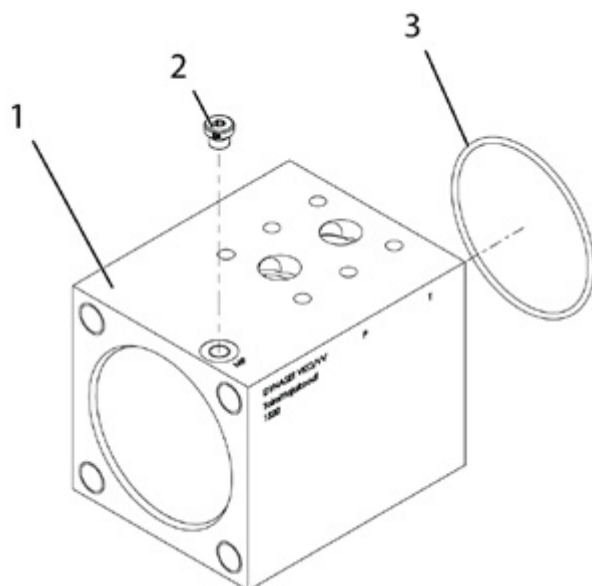
MAIN COMPONENTS	3
1. CENTER BODY	4
2. HEAD	5
3. PT BLOCK	6
4. SUCTION MANIFOLD	8
5. DISCHARGE MANIFOLD	9
6. PISTON	10
7. SEAL FLANGE	11
8. WATER VALVE	12
9. SCREW KIT	13
10. SEAL KIT	14
11. PLUG KIT	16

MAIN COMPONENTS



POS	PART NUMBER	QTY	DESCRIPTION	DETAILS	DETAILS 2
1		1	CENTER BODY		See separate part list
2		2	HEAD		See separate part list
3		1	PT-BLOCK		See separate part list
4		1	SUCTION MANIFOLD		See separate part list
5		1	PRESSURE MANIFOLD		See separate part list
6		1	PISTON KIT		See separate part list
7		2	SEAL FLANGE KIT		See separate part list
8		2	WATER VALVE KIT		See separate part list
9			SCREW KIT		See separate part list
10			SEAL KIT		See separate part list
11			PLUG KIT		See separate part list
12	V100 100 001	1	RUBBER CUSHION KIT	D40 / H30 - M8	Includes 4 cushions

1. CENTER BODY



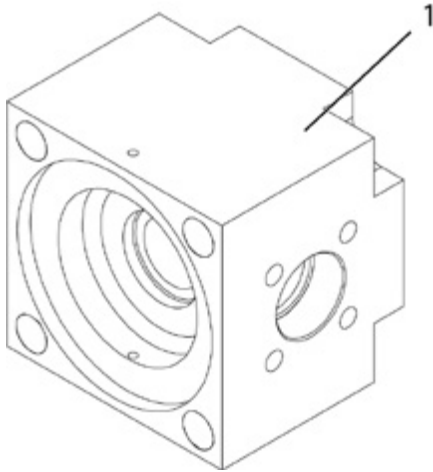
POS	PART NUMBER	QTY	DESCRIPTION	DETAILS	DETAILS 2
1	V100 101 510	1	CENTER BODY	D85	Includes pos. 2-3
2	*	1	HEXAGON SOCKET CAP PLUG	R1/8	
3	*	1	O-RING	87 x 3	

POS	PART NUMBER	QTY	DESCRIPTION	DETAILS	DETAILS 2
1	V100 101 530	1	CENTER BODY AIS	D63, Stainless steel	Includes pos. 2-3
2	*	1	HEXAGON SOCKET CAP PLUG	R1/8	Stainless steel
3	*	1	O-RING	87 x 3	

* Not sold separately. Available only in kit or assembly described above or presented in separate part list.
Read Details 2

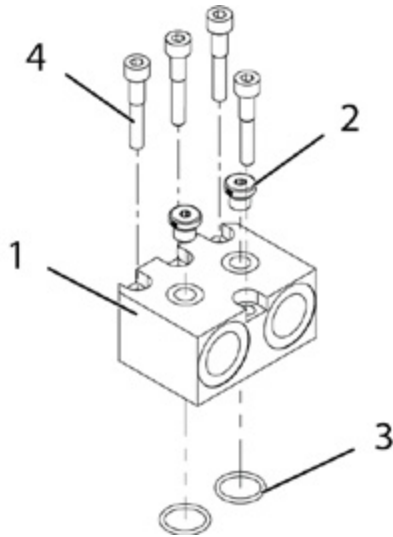
O-rings are also available in Seal kit, see page 14.
Plugs are also available in Plug kit, see page 16.

2. HEAD



POS	PART NUMBER	QTY	DESCRIPTION	DETAILS	DETAILS 2
1	V100 102 510	1	HEAD		

3. PT BLOCK



POS	PART NUMBER	QTY	DESCRIPTION	DETAILS	DETAILS 2
	V100 100 710		PT BLOCK KIT	Standard	Includes pos.1-4
1	*	1	PT BLOCK	R3/4	
2	*	2	HEXAGON SOCKET CAP PLUG	R1/4	
3	*	2	O-RING	21,3 x 2,4	
4	*	4	HEXAGON SOCKET CAP SCREW	M8 x 45	

POS	PART NUMBER	QTY	DESCRIPTION	DETAILS	DETAILS 2
	V100 100 720		PT BLOCK KIT M		Includes pos.1-4
1	*	1	PT BLOCK	R3/4	Stainless steel
2	*	2	HEXAGON SOCKET CAP PLUG	R1/4	Stainless steel
3	*	2	O-RING	21,3 x 2,4	
4	*	4	HEXAGON SOCKET CAP SCREW	M8 x 45	Stainless steel

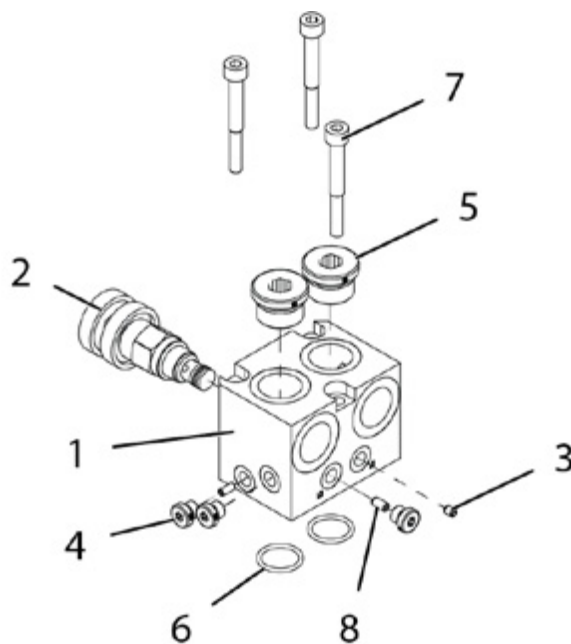
* Not sold separately. Available only in kit or assembly described above or presented in separate part list.

Read Details 2

Screws are also available in Screw kit, see page 13.

O-rings are also available in Seal kit, see page 14.

Plugs are also available in Plug kit, see page 16.



POS	PART NUMBER	QTY	DESCRIPTION	DETAILS	DETAILS 2
	V100 100 730		PT BLOCK KIT LS		Includes pos.1-8
1	*	1	PT BLOCK	R3/4 - Load Sensing	Steel
2	*	1	PRESSURE RELIEF VALVE CARTRIDGE	35-350 bar	
3	*	1	ORIFICE	M6	
4	*	3	HEXAGON SOCKET CAP PLUG	R1/8	
5	*	2	HEXAGON SOCKET CAP PLUG	R3/4	
6	*	2	O-RING	21,3 x 2,4	
7	*	3	HEXAGON SOCKET CAP SCREW	M8 x 65	
8	*	1	SET SCREW	M4 x 8	

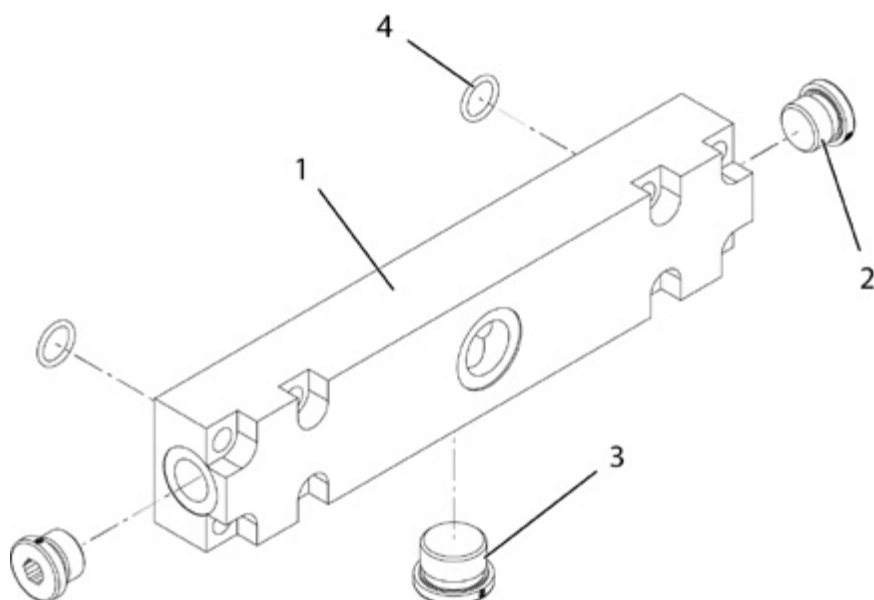
* Not sold separately. Available only in kit or assembly described above or presented in separate part list.
Read Details 2

Screws are also available in Screw kit, see page 13.

O-rings are also available in Seal kit, see page 14.

Plugs are also available in Plug kit, see page 16.

4. SUCTION MANIFOLD

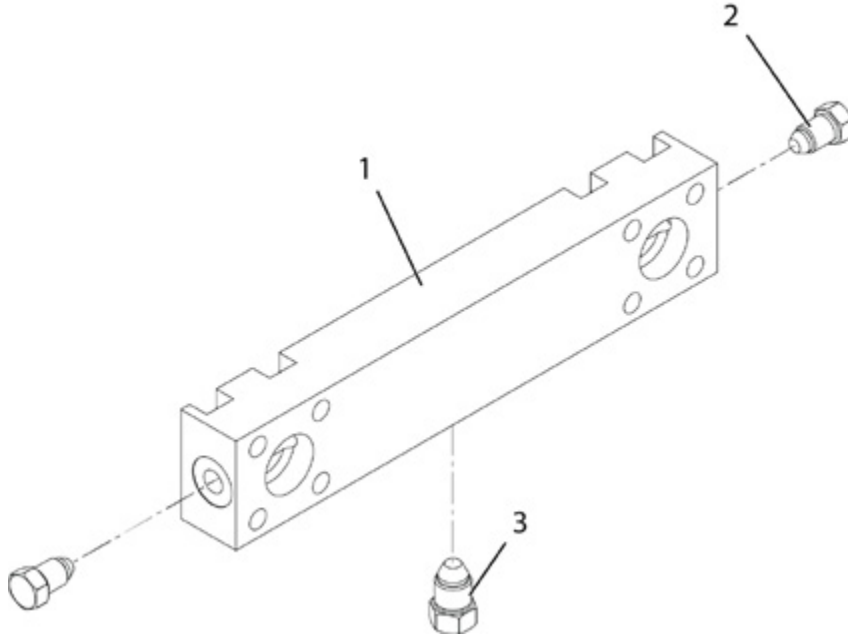


POS	PART NUMBER	QTY	DESCRIPTION	DETAILS	DETAILS 2
	V100 102 500		SUCTION MANIFOLD		Includes pos. 1-4
1	*	1	SUCTION MANIFOLD	R3/4	
2	*	2	HEXAGON SOCKET CAP PLUG	R1/2	
3	*	1	HEXAGON SOCKET CAP PLUG	R3/4	
4	*	2	O-RING	15,3 x 2,4	

* Not sold separately. Available only in kit or assembly described above or presented in separate part list.
Read Details 2

O-rings are also available in Seal kit, see page 14.
Plugs are also available in Plug kit, see page 16.

5. DISCHARGE MANIFOLD

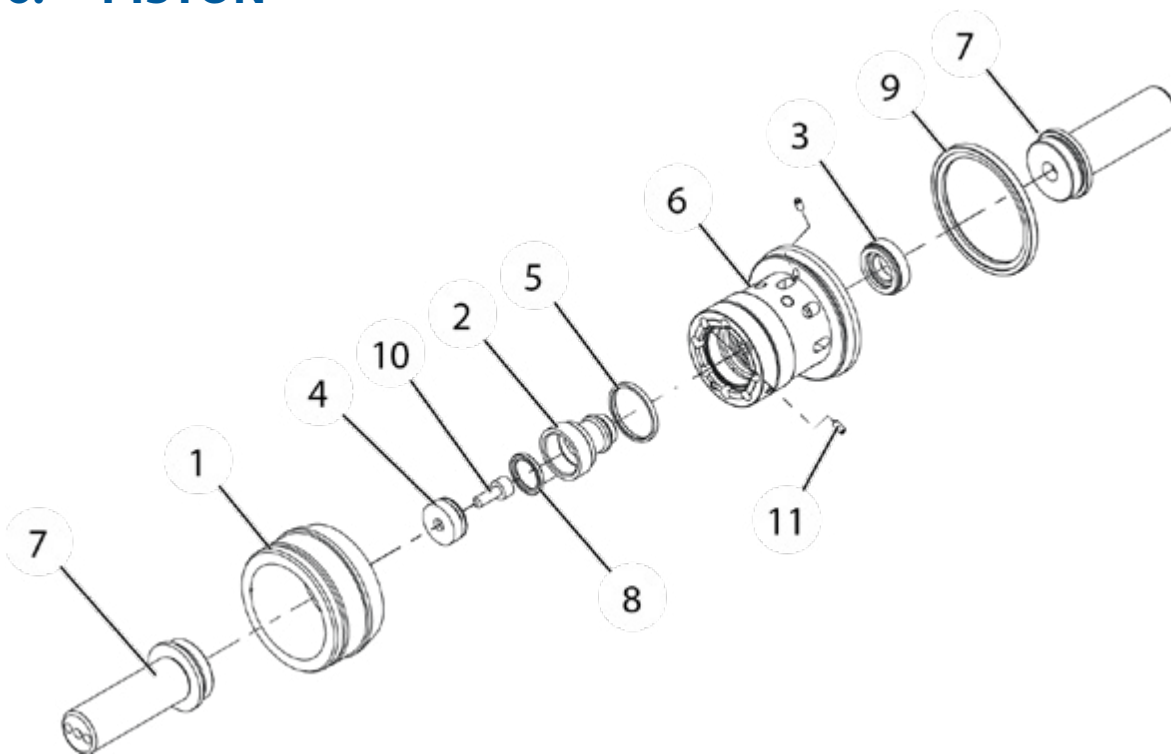


POS	PART NUMBER	QTY	DESCRIPTION	DETAILS	DETAILS 2
	V100 102 490		DISCHARGE MANIFOLD		Includes pos. 1-3
1	*	1	DISCHARGE MANIFOLD	R3/8	
2	*	2	PLUG	R1/4 taper head	
3	*	1	PLUG	R3/8 taper head	

* Not sold separately. Available only in kit or assembly described above or presented in separate part list.
Read Details 2

Plugs are also available in Plug kit, see page 16.

6. PISTON

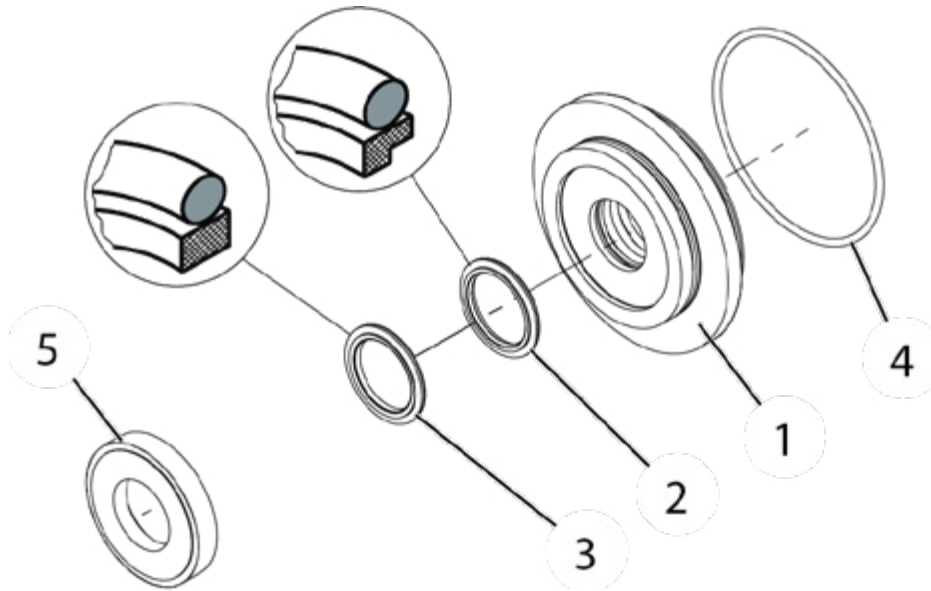


POS	PART NUMBER	QTY	DESCRIPTION	DETAILS	DETAILS 2
	V100 102 525		PISTON KIT	Piston kit includes 2 Secondary pistons	Includes pos. 1-11
1	*	1	PISTON LINER	D67,1	
2	*	1	VALVE SPOOL	D36 - 41,5	
3	*	1	VALVE SEAT	D35,5	
4	*	1	REVERSAL VALVE GUIDE	D28,5	
5	*	1	ROD SEAL	36/14-3-2T	
6	*	1	HYDRAULIC PISTON	D90	
7	V100 102 540	1	SECONDARY PISTON	D30	
8	*	1	PISTON SEAL	M28,5	
9	*	1	PISTON SEAL	M90	
10	*	1	HEXAGON SOCKET CAP SCREW	M8 x 20	
11	*	2	SET SCREW	M5 x10	
	V100 102 520		HYDRAULIC PISTON KIT	Secondary pistons excluded	Includes pos. 1-6, 9, 11
	V100 102 529		REVERSAL VALVE GUIDE KIT		Includes pos. 4, 8, 10
	V100 101 130		SEAL KIT	Hydraulic piston	Includes pos. 5, 8, 9

* Not sold separately. Available only in kit or assembly described above or presented in separate part list.
Read Details 2

O-rings and seals are also available in Seal kit, see page 14.
Plugs are also available in Plug kit, see page 16.

7. SEAL FLANGE



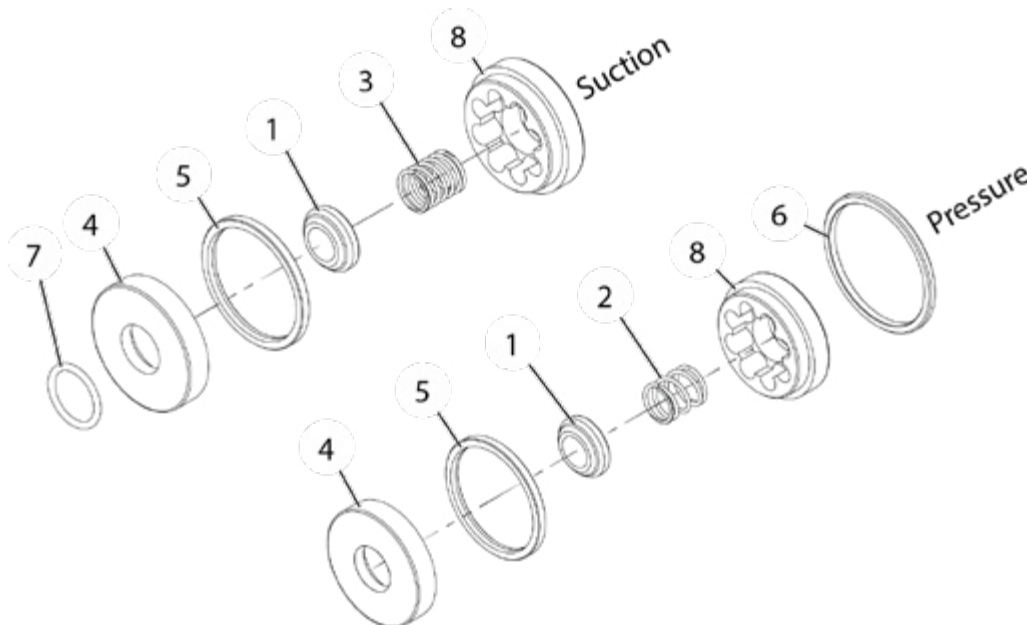
POS	PART NUMBER	QTY	DESCRIPTION	DETAILS	DETAILS 2
	V100 102 460		SEAL FLANGE ASSEMBLY	Seals included	Includes pos. 1-4
1	*	1	SEAL FLANGE	D105 / d30 - L26	
2	*	1	ROD SEAL	1T	
3	*	1	ROD SEAL	2T	
4	*	1	O-RING	84,5 x 3	

POS	PART NUMBER	QTY	DESCRIPTION	DETAILS	DETAILS 2
	V100 102 450		WATER SEAL FLANGE KIT	Seals excluded	Includes pos. 1, 5
1	*	1	SEAL FLANGE	D105 / d30 - L26	
5	V100 102 465	1	WATER SEAL FLANGE	D60 / d30 - L11	

* Not sold separately. Available only in kit or assembly described above or presented in separate part list.
Read Details 2

O-rings and seals are also available in Seal kit, see page 14.
Seals for Water Seal Flange Kit are sold in Seal Kit, see page 14.

8. WATER VALVE



NOTE! The pressure valve's spring (2) has less turns than the suction valve's (3) spring.

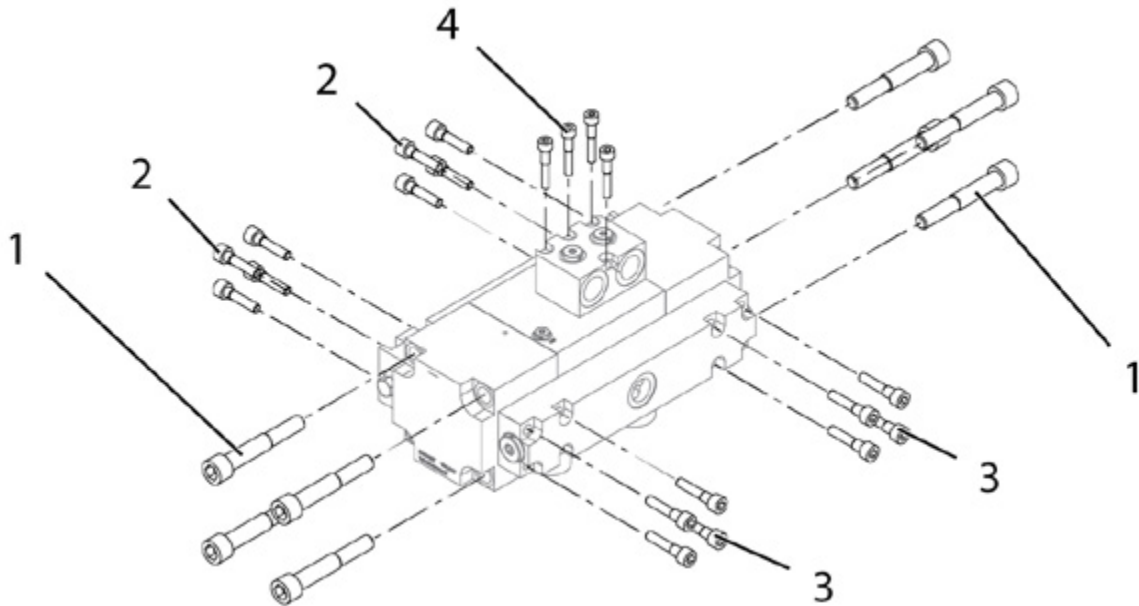
POS	PART NUMBER	QTY	DESCRIPTION	DETAILS	DETAILS 2
	V100102515		WATER VALVE KIT	Without Cabs	Includes pos. 1-7
1	*	4	WATER VALVE DISK	D20-6	
2	*	2	SPRING	Pressure	
3	*	2	SPRING	Suction	
4	*	4	WATER VALVE SEAT	D36/d14	
5	*	4	SEAL	D37 / d32	
6	*	2	SEAL	D42,5 / d37,5	
7	*	2	O-RING	15,3 x 2,4	

POS	PART NUMBER	QTY	DESCRIPTION	DETAILS	DETAILS 2
	V100102516		WATER VALVE KIT	With Cabs	Includes pos. 1-8
1	*	4	WATER VALVE DISK	D20-6	
2	*	2	SPRING	Pressure	
3	*	2	SPRING	Suction	
4	*	4	WATER VALVE SEAT	D36/d14	
5	*	4	SEAL	D37 / d32	
6	*	2	SEAL	D42,5 / d37,5	
7	*	2	O-RING	15,3 x 2,4	
8	*	4	WATER VALVE CAB	D36-15,5	

* Not sold separately. Available only in kit or assembly described above or presented in separate part list. Read Details 2

O-rings and Seals are also available in Seal kit, see page 14.

9. SCREW KIT



POS	PART NUMBER	QTY	DESCRIPTION	DETAILS	DETAILS 2
	V100102530		SCREW KIT		Includes pos. 1-4
1	*	8	HEXAGON SOCKET CAP SCREW	M16x100	
2	*	8	HEXAGON SOCKET CAP SCREW	M10x40	Pressure manifold
3	*	8	HEXAGON SOCKET CAP SCREW	M10x45	Suction manifold
4	*	4	HEXAGON SOCKET CAP SCREW	M8 x 45	

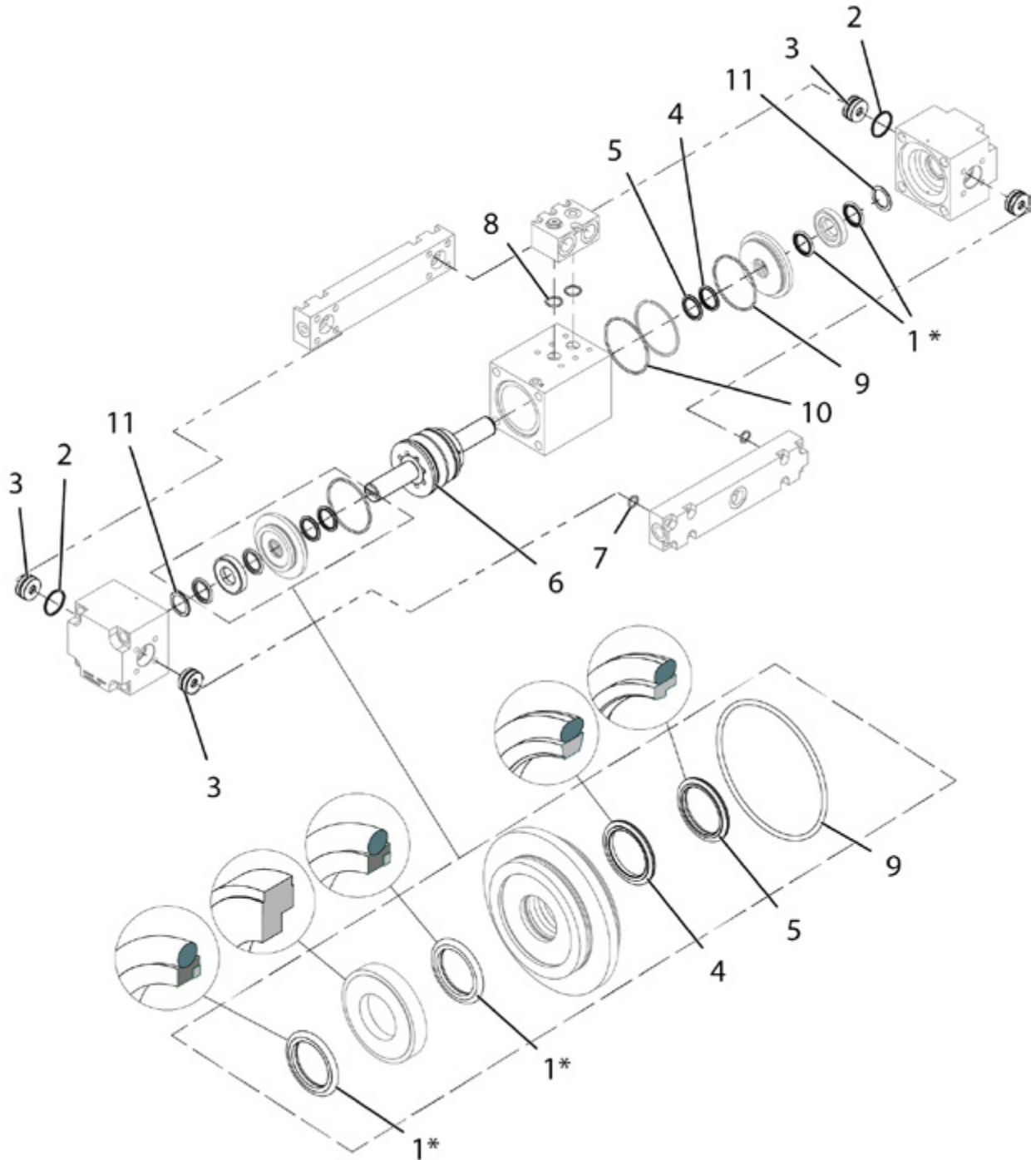
POS	PART NUMBER	QTY	DESCRIPTION	DETAILS	DETAILS 2
	V100102532		SCREW KIT M	Stainless steel / coated	Includes pos. 1-4
1	*	8	HEXAGON SOCKET CAP SCREW	M16x100	
2	*	8	HEXAGON SOCKET CAP SCREW	M10x40	Pressure manifold
3	*	8	HEXAGON SOCKET CAP SCREW	M10x45	Suction manifold
4	*	4	HEXAGON SOCKET CAP SCREW	M8 x 45	

POS	PART NUMBER	QTY	DESCRIPTION	DETAILS	DETAILS 2
	V100102534		SCREW KIT SUB	Stainless steel / coated	Includes pos. 1-4
1	*	8	HEXAGON SOCKET CAP SCREW	M16x100	
2	*	8	HEXAGON SOCKET CAP SCREW	M10x40	Pressure manifold
3	*	8	HEXAGON SOCKET CAP SCREW	M10x45	Suction manifold
4	*	4	HEXAGON SOCKET CAP SCREW	M8 x 45	

* Not sold separately. Available only in kit or assembly described above or presented in separate part list.
Read Details 2

NOTE! Tightening torques can be found in user manual.

10. SEAL KIT



SPARE PARTS

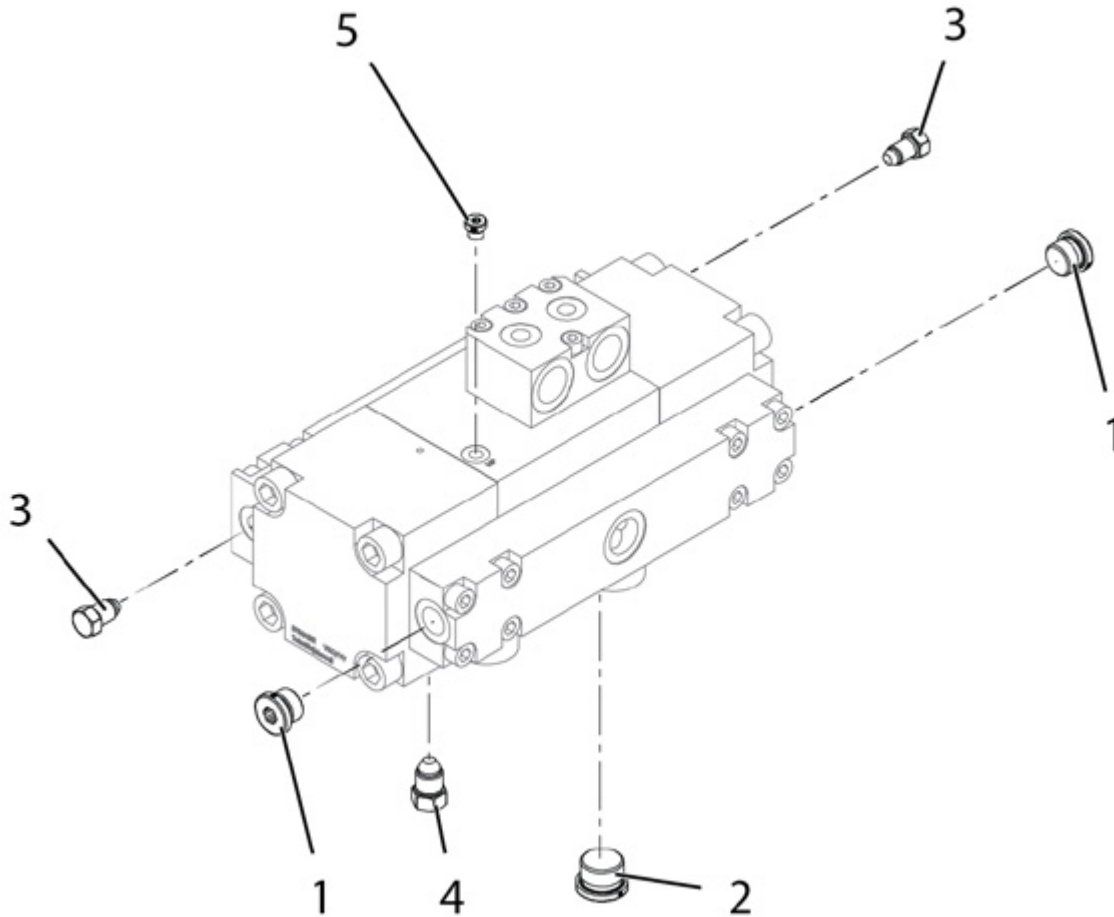
POS	PART NUMBER	QTY	DESCRIPTION	DETAILS	DETAILS 2
	V100102435		SEAL KIT		Includes pos. 1-11
1	*	4	ROD SEAL	30/35,5-4-1T	Includes O-ring and Support ring
2	*	2	SEAL	D42,5 / d37,5	
3	*	4	SEAL	D37 / d32	
4	*	2	ROD SEAL	30/41-4-1T	Includes O-ring
5	*	2	ROD SEAL	30/41-4-2T	Includes O-ring
6	*	1	PISTON SEAL ASSEMBLY	M90	
7	*	2	O-RING	15,3 x 2,4	
8	*	2	O-RING	21,3 x 2,4	
9	*	2	O-RING	84,5 x 3	
10	*	1	O-RING	87 x 3	
11	*	2	SUPPORT FLANGE	41/30-1,8	

POS	PART NUMBER	QTY	DESCRIPTION	DETAILS	DETAILS 2
	V100102440		SEAL KIT HOT		Includes pos. 1-11
1	*	4	ROD SEAL	30/41-4-2T	Includes O-ring
2	*	4	SEAL	D37 / d32	
3	*	2	SEAL	D42,5 / d37,5	
4	*	2	ROD SEAL	30/41-4-1T	Includes O-ring
5	*	2	ROD SEAL	30/41-4-2T	Includes O-ring
6	*	1	PISTON SEAL ASSEMBLY	M90	
7	*	2	O-RING	15,3 x 2,4	
8	*	2	O-RING	21,3 x 2,4	
9	*	2	O-RING	84,5 x 3	
10	*	1	O-RING	87 x 3	
11	*	2	SUPPORT FLANGE	41/30-1,8	

* Not sold separately. Available only in kit or assembly described above or presented in separate part list.
Read Details 2

 *** In HOT Seal kit Water seal flange uses normal 2T seals without support ring.**

11. PLUG KIT



POS	PART NUMBER	QTY	DESCRIPTION	DETAILS	DETAILS 2
	V100 102 538		PLUG KIT		
1	*	2	HEXAGON SOCKET CAP PLUG	R1/2	Stainless steel
2	*	1	HEXAGON SOCKET CAP PLUG	R3/4	Stainless steel
3	*	2	PLUG	R1/4 taper head	Stainless steel
4	*	1	PLUG	R3/8 taper head	Stainless steel
5	*	1	HEXAGON SOCKET CAP PLUG	R1/8	Stainless steel

* Not sold separately. Available only in kit or assembly described above or presented in separate part list.
Read Details 2