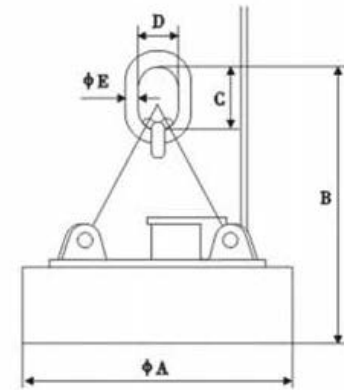




MEEA
MOBILE ENERGY AUSTRALIA



Technical parameters (Rated voltage: DC-220V Duty cycle-60%)

Model		LMW1-70	LMW1-80	LMW1-90	LMW1-110	LMW1-120	LMW1-130	LMW1-140	LMW1-150	LMW1-165	LMW1-180	LMW1-185	LMW1-210	LMW1-220	LMW1-240
Outline dimensions	A	700	800	900	1100	1200	1300	1400	1500	1650	1800	1850	2100	2200	2400
	B	1100	1100	1070	1300	1400	1380	1420	1550	1600	1940	1930	1920	2070	2040
	C	250	250	250	250	250	250	250	340	340	360	360	360	400	400
	D	140	140	140	140	140	140	140	200	200	220	220	220	250	250
	E	45	45	45	45	50	50	50	60	60	70	70	70	80	80
Weight	Kg	450	550	740	1200	1530	1780	2100	2580	3250	4300	4690	6350	7030	8260
Ampere(cool/hot)	A	16.4/9.91	19.2/11.6	25.3/15.3	36.1/21.8	38.2/23.2	59.1/36.7	68.4/41.4	70.1/42.3	76.6/48.5	97.4/58.8	112.1/67.8	136.8/83	143.8/87	157.3/94.6
Power(cool/hot)	KW	3.61/2.18	4.23/2.36	6.58/3.36	7.93/4.79	8.4/5.1	12.99/7.85	15.05/9.11	15.41/9.31	16.86/10.22	21.43/12.6	24.67/14.9	30.1/18.2	31.63/19.14	34.6/20.82
Lifting capacity (cool/hot)	Steel balls	2500	3000	4500	6000	7500	8500	9500	11000	13000	14500	15500	21000	23000	28000
	Steel ingot	385/200	485/250	615/410	1030/630	1200/900	1450/1130	1730/1320	1980/1540	2400/1840	2880/2100	3000/2300	3620/2900	4300/3250	4800/3850
	Steel scrap	125/100	160/130	250/200	455/410	580/500	710/600	950/800	1100/900	1380/1150	1650/1400	1720/1470	2230/1900	2500/2000	2930/2300
Other devices	Control panel	LA□□-5		LA□□-10			LA□□-15	LA□□-20			LA□□-25		LA□□-35		
	Cable roll	JTA75-15-2-II								JTA100-15-2-II	JTA135-15-2-II		JTA170-15-2-II		
	Cable connector	DL-102										DL-202			