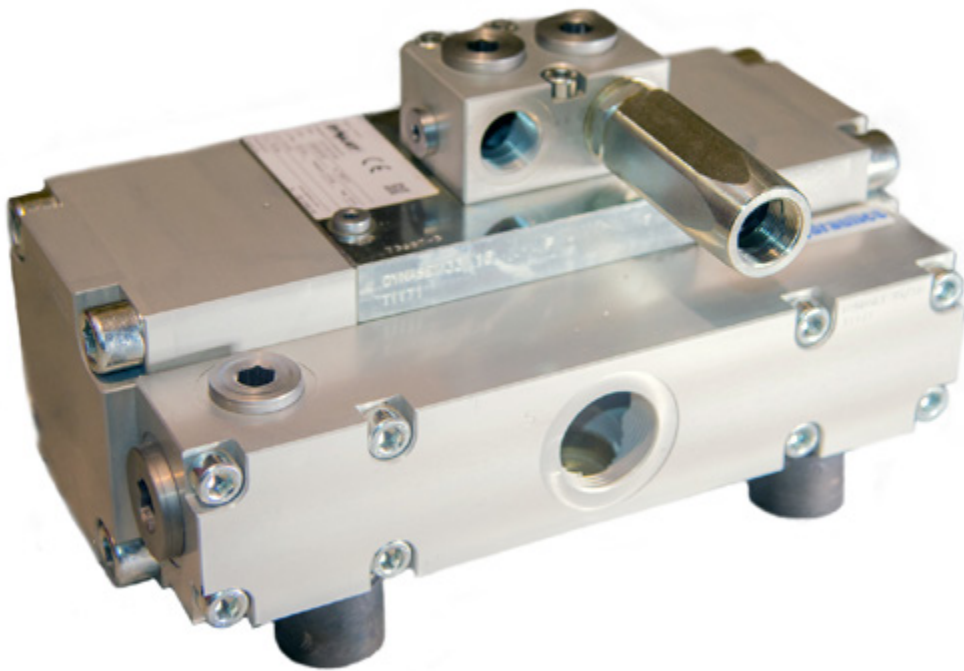


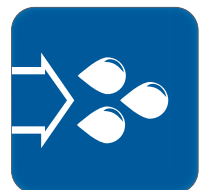


**DYNASET**

**POWERED BY HYDRAULICS**



**SPARE PARTS**  
**HYDRAULIC DRILLING FLUID PUMP**



**HDF 160 /70-90**

HDF\_160\_70-90\_MEA-IPL 1.0

Mobile Energy Australia  
P: +61 3273 6803

39 Dulacca Street, Acacia Ridge QLD 4110 Australia  
E: sales@mobileenergyaustralia.com.au

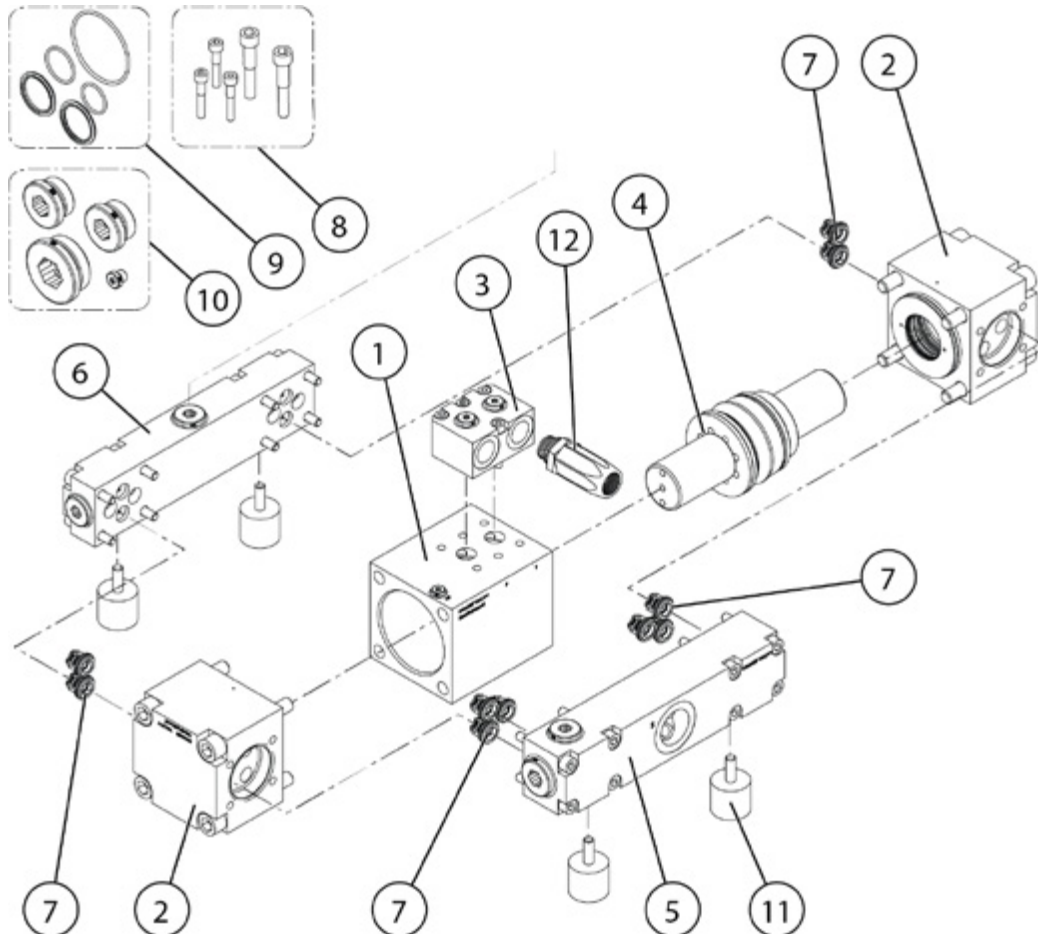
ABN 40 218 849 719  
www.mobileenergyaustralia.com.au



**SPARE PARTS**

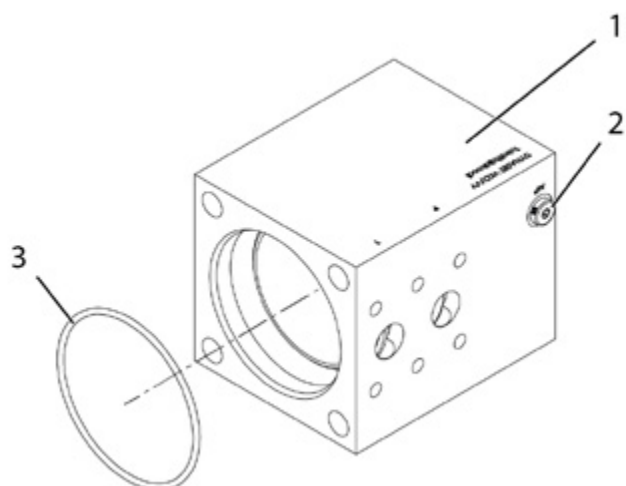
<b>MAIN COMPONENTS</b>	<b>3</b>
1. <b>CENTER BODY</b> .....	<b>4</b>
2. <b>HEAD</b> .....	<b>5</b>
3. <b>PT BLOCK</b> .....	<b>6</b>
4. <b>PISTON</b> .....	<b>8</b>
5. <b>SUCTION MANIFOLD</b> .....	<b>9</b>
6. <b>PRESSURE MANIFOLD</b> .....	<b>10</b>
7. <b>WATER VALVE</b> .....	<b>12</b>
8. <b>SCREW KIT</b> .....	<b>14</b>
9. <b>SEAL KIT</b> .....	<b>16</b>
10. <b>PLUG KIT</b> .....	<b>18</b>

## MAIN COMPONENTS



POS	PART NUMBER	QTY	DESCRIPTION	DETAILS	DETAILS 2
1		1	CENTER BODY		See separate part list
2		2	HEAD		See separate part list
3		1	PT BLOCK		See separate part list
4		1	PISTON		See separate part list
5		1	SUCTION MANIFOLD		See separate part list
6		1	PRESSURE MANIFOLD		See separate part list
7		1	WATER VALVE KIT		See separate part list
8			SCREW KIT		See separate part list
9			SEAL KIT		See separate part list
10			PLUG KIT		See separate part list
11	V100 100 002	1	RUBBER CUSHION KIT		Includes 4 cushions
12	V100 110 050	1	CHECK VALVE		

## 1. CENTER BODY



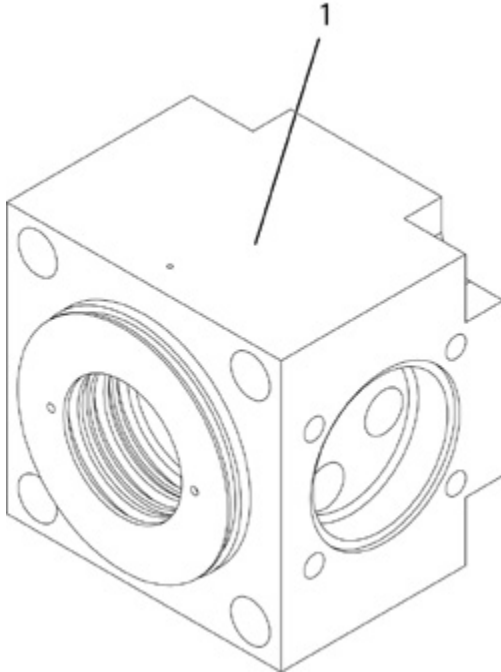
POS	PART NUMBER	QTY	DESCRIPTION	DETAILS	DETAILS 2
1	V100 101 792	1	CENTER BODY		Includes pos. 2-3
2	*	1	HEXAGON SOCKET CAP PLUG	R1/8	Stainless steel
3	*	1	O-RING	87 x 3	

POS	PART NUMBER	QTY	DESCRIPTION	DETAILS	DETAILS 2
1	V100 101 790	1	CENTER BODY - AIS	Stainless steel	Includes pos. 2-3
2	*	1	HEXAGON SOCKET CAP PLUG	R1/8	Stainless steel
3	*	1	O-RING	87 x 3	

\* Not sold separately. Available only in kit or assembly described above or presented in separate part list.  
Read Details 2

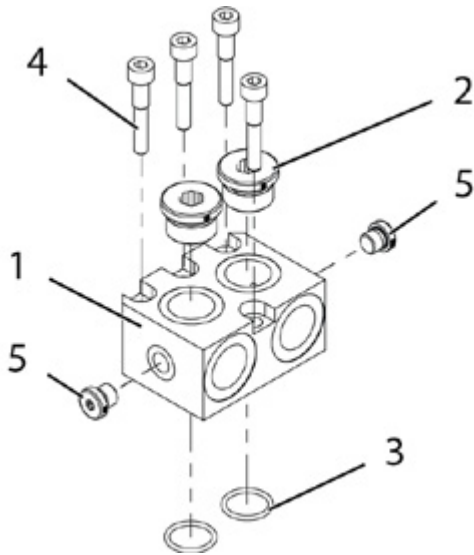
O-rings are also available in Seal kit, see page 16.  
Plugs are also available in Plug kit, see page 18.

## 2. HEAD



POS	PART NUMBER	QTY	DESCRIPTION	DETAILS	DETAILS 2
1	V100 123 400	1	HEAD	Standard	
1	V100 123 410	1	HEAD - EX		
1	V100 123 420	1	HEAD - AIS - EX		

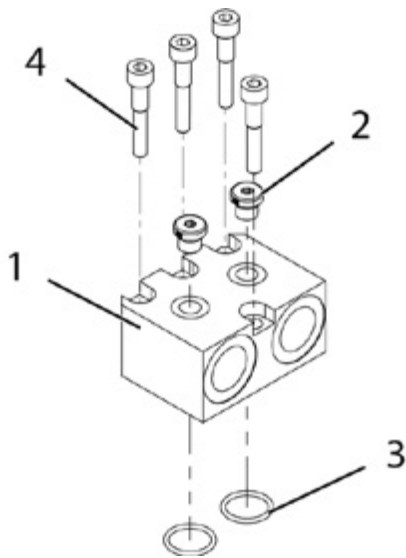
### 3. PT BLOCK



POS	PART NUMBER	QTY	DESCRIPTION	DETAILS	DETAILS 2
	<b>V100 100 700</b>		<b>PT BLOCK</b>		<b>Includes pos. 1-5</b>
1	*	1	PT BLOCK	R3/4 - Al	
2	*	2	HEXAGON SOCKET CAP PLUG	R3/4	
3	*	2	O-RING	21,3 x 2,4	
4	*	4	HEXAGON SOCKET CAP SCREW	M8x45	
5	*	2	HEXAGON SOCKET CAP PLUG	R1/4	

\* Not sold separately. Available only in kit or assembly described above or presented in separate part list.  
Read Details 2

O-rings are also available in Seal kit, see page 16.  
Screws are also available in Screw kit, see page 14.

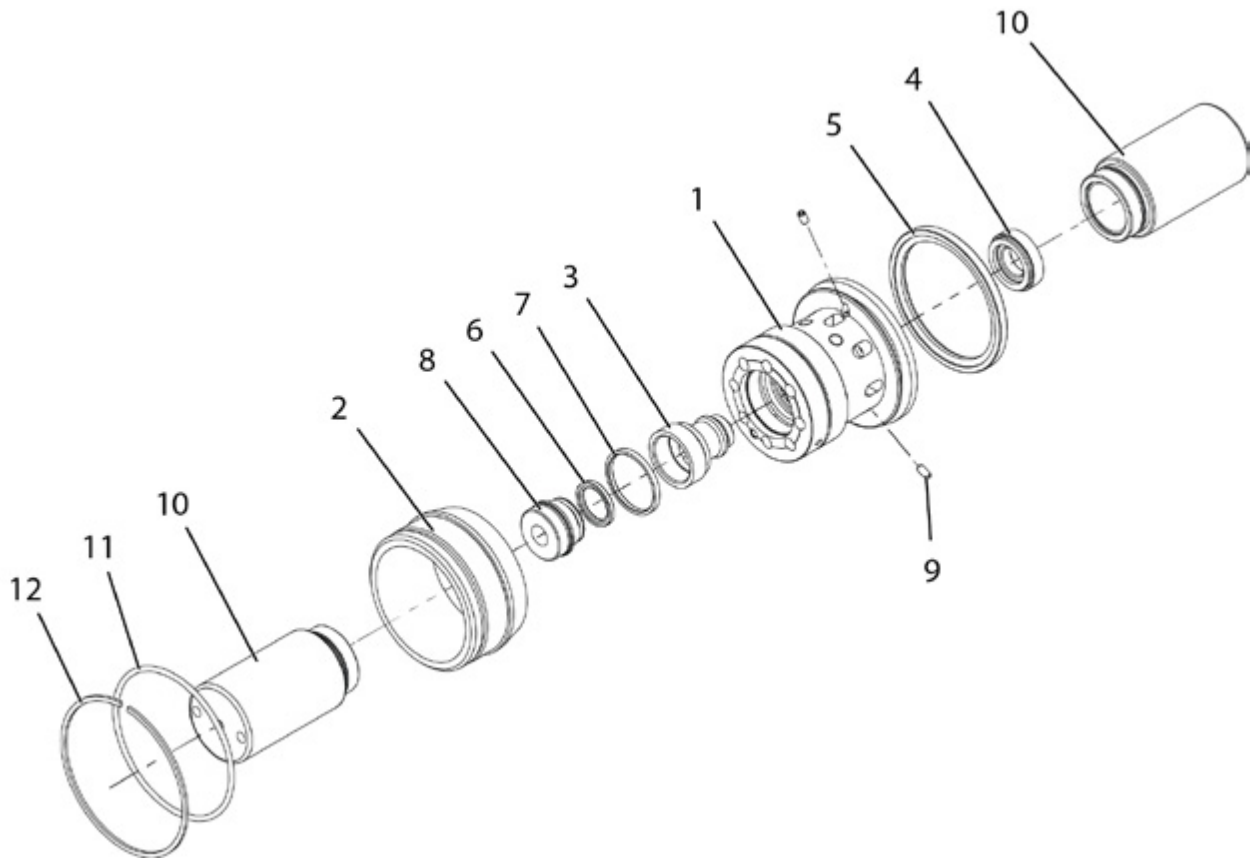


POS	PART NUMBER	QTY	DESCRIPTION	DETAILS	DETAILS 2
	<b>V100 100 720</b>		<b>PT BLOCK - AIS</b>		<b>Includes pos. 1-4</b>
1	*	1	PT BLOCK	R3/4 - AIS	Stainless Steel
2	*	2	HEXAGON SOCKET CAP PLUG	R1/4	Stainless Steel
3	*	2	O-RING	21,3 x 2,4	
4	*	4	HEXAGON SOCKET CAP SCREW	M8x45	Stainless Steel

\* Not sold separately. Available only in kit or assembly described above or presented in separate part list.  
Read Details 2

O-rings are also available in Seal kit, see page 16.  
Screws are also available in Screw kit, see page 14.

## 4. PISTON



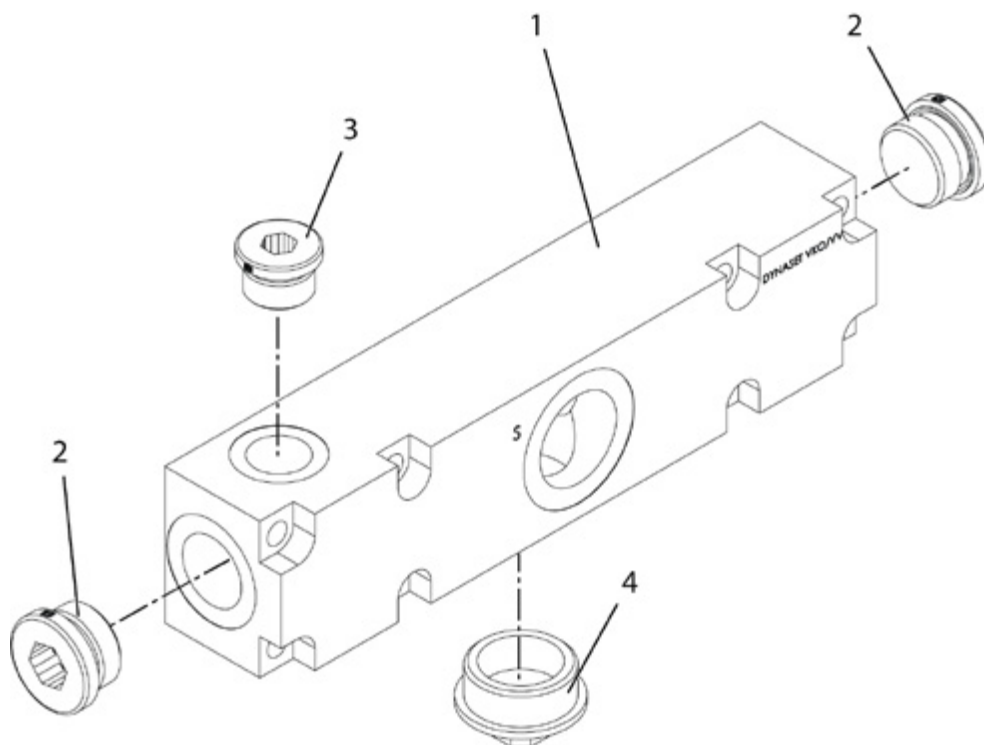


POS	PART NUMBER	QTY	DESCRIPTION	DETAILS	DETAILS 2
	<b>V100 123 380</b>		<b>PISTON KIT</b>		Includes pos. 1-12
1	*	1	HYDRAULIC PISTON	D90 / d72,8	
2	*	1	CYLINDER LINER	D72,8	
3	*	1	VALVE SPOOL	D36-41,5	
4	*	1	VALVE SEAT	D35,5-10,5	
5	*	1	PISTON SEAL ASSEMBLY	M90	
6	*	1	PISTON SEAL ASSEMBLY	M28,5	
7	*	1	ROD SEAL	36/41-3	
8	*	1	REVERSAL VALVE GUIDE	D34	
9	*	2	SET SCREW	M5x10	
10	V100 123 510	1	SECONDARY PISTON	D50	<b>Piston kit includes 2 secondary pistons</b>
11	*	1	O-RING	87 x 3	
12	*	1	LOCK RING	85 x 2,5	
	<b>V100 123 370</b>		<b>HYDRAULIC PISTON KIT</b>	<b>Secondary pistons excluded</b>	<b>Includes pos. 1-5, 7, 9</b>
	<b>V100 123 390</b>		<b>REVERSAL VALVE GUIDE KIT</b>		<b>Includes pos. 6, 8</b>
	<b>V100 101 130</b>		<b>PISTON SEAL KIT</b>		<b>Includes pos. 5-7</b>

\* Not sold separately. Available only in kit or assembly described above or presented in separate part list.  
Read Details 2

Seals and O-rings are also available in Seal kit, see page 16.

## 5. SUCTION MANIFOLD



POS	PART NUMBER	QTY	DESCRIPTION	DETAILS	DETAILS 2
	<b>V100 123 450</b>		<b>SUCTION MANIFOLD KIT</b>		<b>Includes pos. 1-4</b>
1	*	1	SUCTION MANIFOLD	Al	
2	*	2	HEXAGON SOCKET CAP PLUG	R1	Stainless steel
3	*	1	HEXAGON SOCKET CAP PLUG	R3/4	Stainless steel
4	*	1	PLUG	R1 1/4	

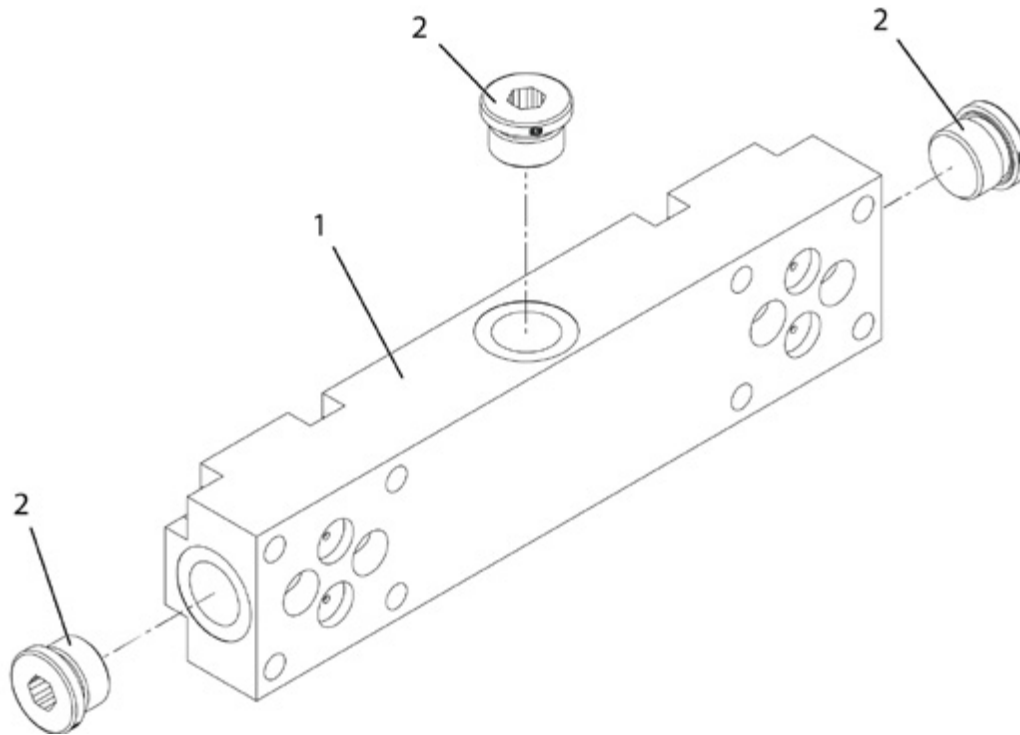
POS	PART NUMBER	QTY	DESCRIPTION	DETAILS	DETAILS 2
	<b>V100 123 460</b>		<b>SUCTION MANIFOLD KIT - EX</b>		<b>Includes pos. 1-4</b>
1	*	1	SUCTION MANIFOLD	Al	
2	*	2	HEXAGON SOCKET CAP PLUG	R1	Stainless steel
3	*	1	HEXAGON SOCKET CAP PLUG	R3/4	Stainless steel
4	*	1	PLUG	R1 1/4	

POS	PART NUMBER	QTY	DESCRIPTION	DETAILS	DETAILS 2
	<b>V100 123 470</b>		<b>SUCTION MANIFOLD KIT - AIS - EX</b>		<b>Includes pos. 1-4</b>
1	*	1	SUCTION MANIFOLD	Al	
2	*	2	HEXAGON SOCKET CAP PLUG	R1	Stainless steel
3	*	1	HEXAGON SOCKET CAP PLUG	R3/4	Stainless steel
4	*	1	PLUG	R1 1/4	

\* Not sold separately. Available only in kit or assembly described above or presented in separate part list.  
Read Details 2

Plugs are also available in Plug kit, see page 18.

## 6. PRESSURE MANIFOLD



POS	PART NUMBER	QTY	DESCRIPTION	DETAILS	DETAILS 2
	<b>V100 123 480</b>		<b>PRESSURE MANIFOLD KIT</b>		<b>Includes pos. 1-2</b>
1	*	1	PRESSURE MANIFOLD		
2	*	3	HEXAGON SOCKET CAP PLUG	R3/4	Stainless steel

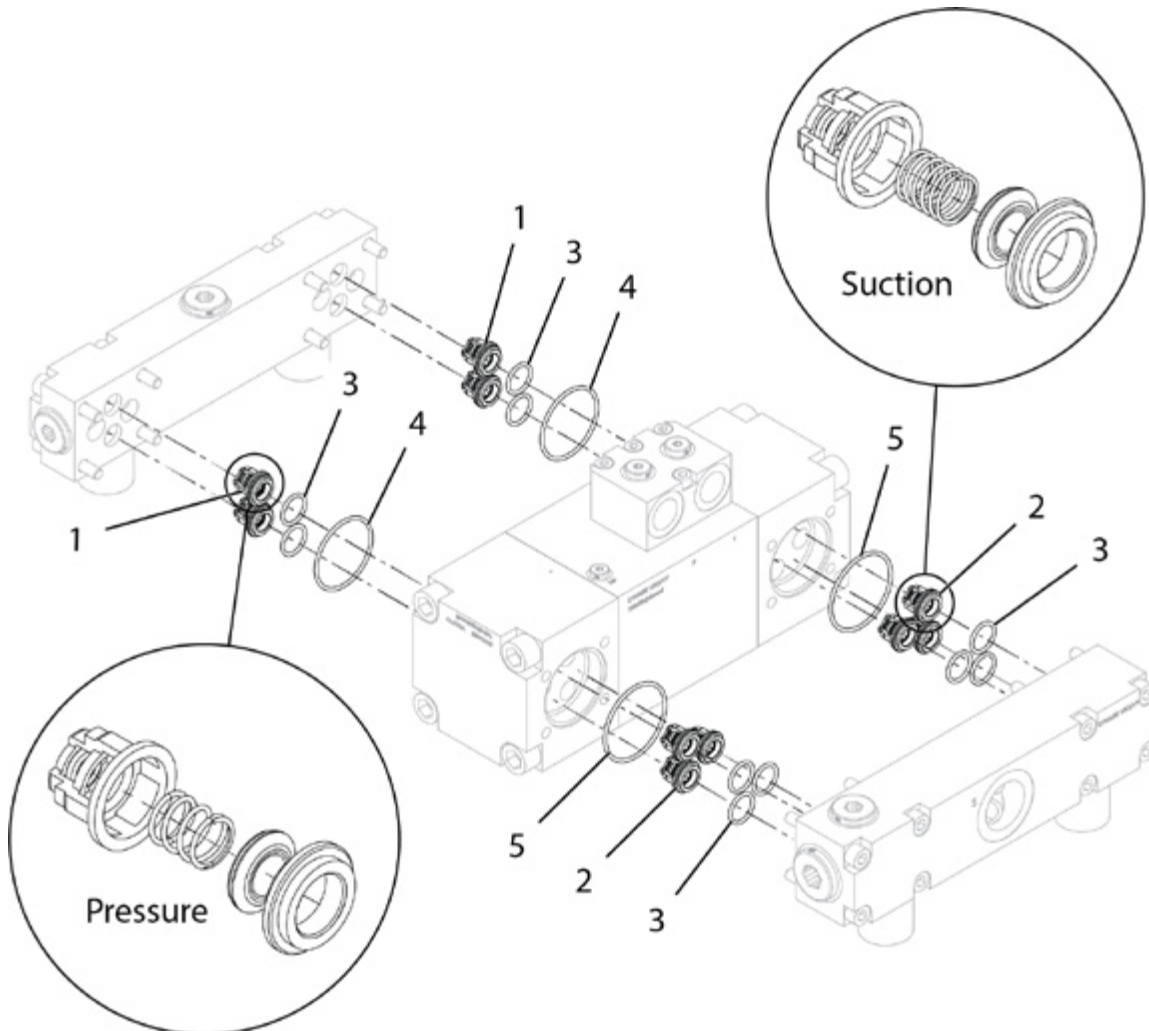
POS	PART NUMBER	QTY	DESCRIPTION	DETAILS	DETAILS 2
	<b>V100 123 490</b>		<b>PRESSURE MANIFOLD KIT - EX</b>		<b>Includes pos. 1-2</b>
1	*	1	PRESSURE MANIFOLD		
2	*	3	HEXAGON SOCKET CAP PLUG	R3/4	Stainless steel

POS	PART NUMBER	QTY	DESCRIPTION	DETAILS	DETAILS 2
	<b>V100 123 500</b>		<b>PRESSURE MANIFOLD KIT - AIS - EX</b>		<b>Includes pos. 1-2</b>
1	*	1	PRESSURE MANIFOLD		
2	*	3	HEXAGON SOCKET CAP PLUG	R3/4	Stainless steel

\* Not sold separately. Available only in kit or assembly described above or presented in separate part list.  
Read Details 2

Plugs are also available in Plug kit, see page 18.

## 7. WATER VALVE



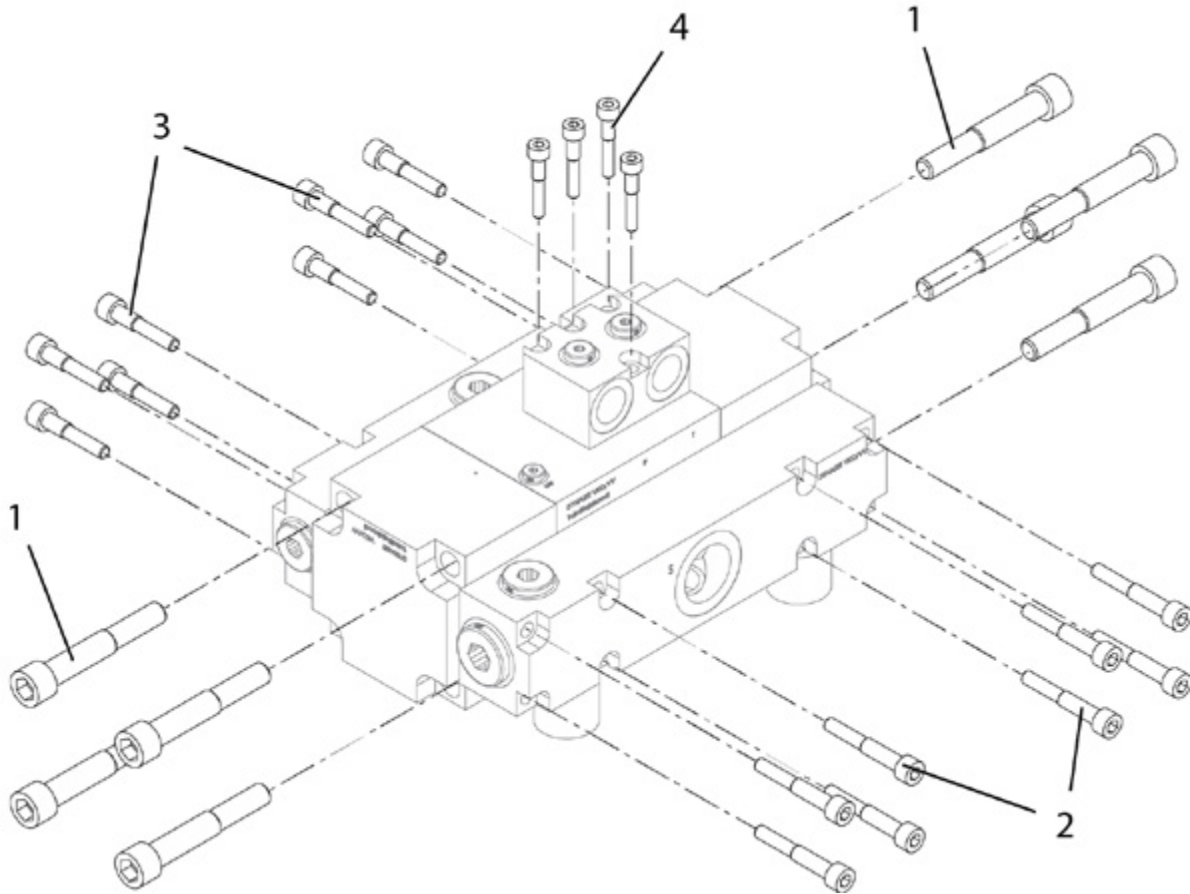
**!** NOTE! The pressure valve's (1) spring has less turns than the suction valve's (2) spring.

POS	PART NUMBER	QTY	DESCRIPTION	DETAILS	DETAILS 2
	<b>V100 123 350</b>		<b>WATER VALVE KIT</b>		<b>Includes pos. 1-5</b>
1	*	4	WATER VALVE	Pressure	
2	*	6	WATER VALVE	Suction	
3	*	10	O-RING	20,3 x 2,62	
4	*	2	O-RING	53,64 x 2,62	
5	*	2	O-RING	58,42 x 2,62	

POS	PART NUMBER	QTY	DESCRIPTION	DETAILS	DETAILS 2
	<b>V100 123 360</b>		<b>WATER VALVE KIT - HOT</b>		<b>Includes pos. 1-5</b>
1	*	4	WATER VALVE	Pressure	
2	*	6	WATER VALVE	Suction	
3	*	10	O-RING	20,3 x 2,62	
4	*	2	O-RING	53,64 x 2,62	
5	*	2	O-RING	58,42 x 2,62	

O-rings are also available in Seal kit, see page 16.

### 8. SCREW KIT



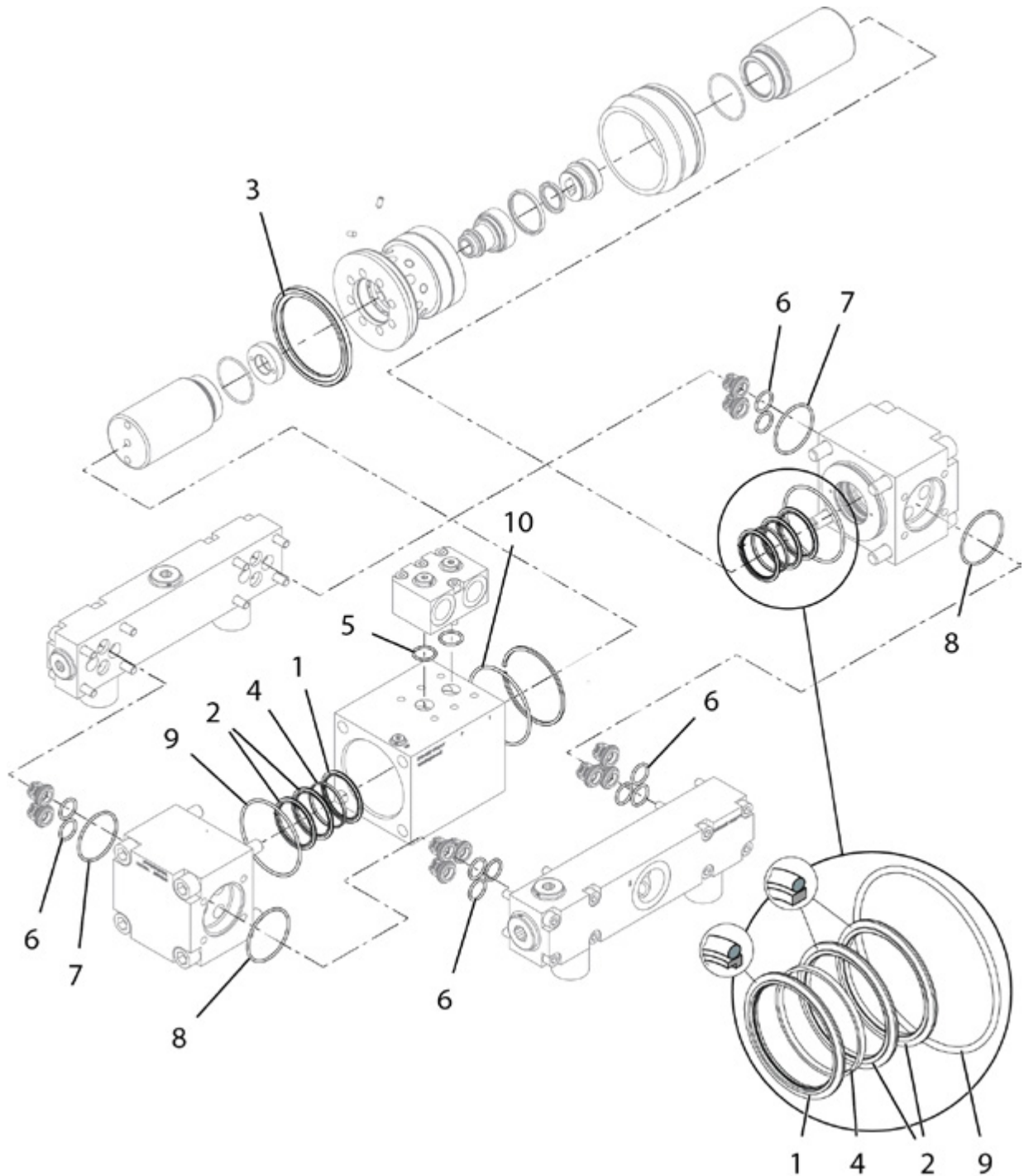
**SPARE PARTS**

POS	PART NUMBER	QTY	DESCRIPTION	DETAILS	DETAILS 2
	<b>V100 123 300</b>		<b>SCREW KIT</b>		<b>Includes pos. 1-4</b>
1	*	8	HEXAGON SOCKET CAP SCREW	M16 x 100	
2	*	8	HEXAGON SOCKET CAP SCREW	M10 x 65	
3	*	8	HEXAGON SOCKET CAP SCREW	M10 x 50	
4	*	4	HEXAGON SOCKET CAP SCREW	M8 x 45	

POS	PART NUMBER	QTY	DESCRIPTION	DETAILS	DETAILS 2
	<b>V100 123 310</b>		<b>SCREW KIT - EX</b>		<b>Includes pos. 1-4</b>
1	*	8	HEXAGON SOCKET CAP SCREW	M16 x 100	Stainless steel
2	*	8	HEXAGON SOCKET CAP SCREW	M10 x 65	Stainless steel
3	*	8	HEXAGON SOCKET CAP SCREW	M10 x 50	Stainless steel
4	*	4	HEXAGON SOCKET CAP SCREW	M8 x 45	Stainless steel

**!** NOTE! Tightening torques can be found in user manual.

### 9. SEAL KIT

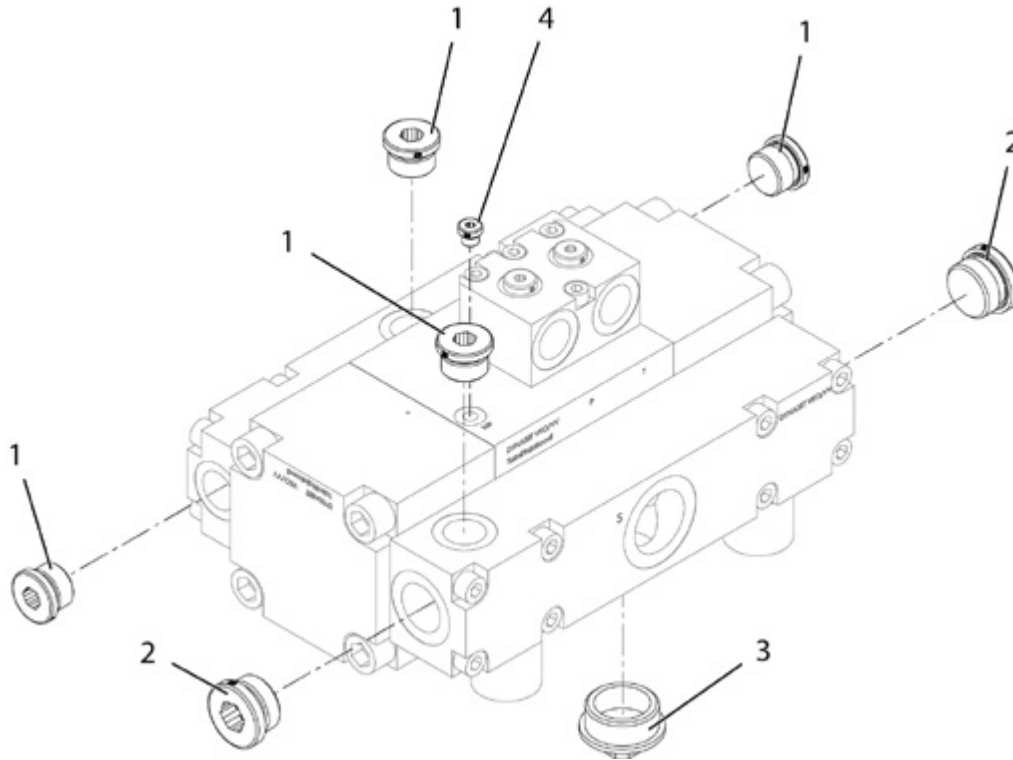




POS	PART NUMBER	QTY	DESCRIPTION	DETAILS	DETAILS 2
	<b>V100 123 330</b>		<b>SEAL KIT</b>		<b>Includes pos. 1-10</b>
1	*	2	ROD SEAL ASSEMBLY	1T	
2	*	4	ROD SEAL ASSEMBLY	2T	
3	*	1	PISTON SEAL ASSEMBLY	M90	
4	*	2	WEAR RING	50/53	
5	*	2	O-RING	21,3 x 2,4	
6	*	10	O-RING	20,3 x 2,62	
7	*	2	O-RING	53,64 x 2,62	
8	*	2	O-RING	58,42 x 2,62	
9	*	2	O-RING	84,5 x 3	
10	*	1	O-RING	87 x 3	

POS	PART NUMBER	QTY	DESCRIPTION	DETAILS	DETAILS 2
	<b>V100 123 340</b>		<b>SEAL KIT HOT</b>		<b>Includes pos. 1-10</b>
1	*	2	ROD SEAL ASSEMBLY	1T	
2	*	4	ROD SEAL ASSEMBLY	2T	
3	*	1	PISTON SEAL ASSEMBLY	M90	
4	*	2	WEAR RING	50/53	
5	*	2	O-RING	21,3 x 2,4	
6	*	10	O-RING	20,3 x 2,62	
7	*	2	O-RING	53,64 x 2,62	
8	*	2	O-RING	58,42 x 2,62	
9	*	2	O-RING	84,5 x 3	
10	*	1	O-RING	87 x 3	

## 10. PLUG KIT



POS	PART NUMBER	QTY	DESCRIPTION	DETAILS	DETAILS 2
	<b>V100 123 320</b>		<b>PLUG KIT</b>		<b>Includes pos 1-4</b>
1	*	4	HEXAGON SOCKET CAP PLUG	R3/4	Stainless steel
2	*	2	HEXAGON SOCKET CAP PLUG	R1	Stainless steel
3	*	1	PLUG	R1 1/4	
4	*	1	HEXAGON SOCKET CAP PLUG	R1/8	Stainless steel