



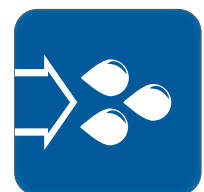
**DYNASET**

**POWERED BY HYDRAULICS**



## **SPARE PARTS**

### **HYDRAULIC DRILLING FLUID PUMP**



HDF 180 /23-35

HDF\_180\_23-35\_MEA-IPL 1.0

Mobile Energy Australia  
P: +61 3273 6803

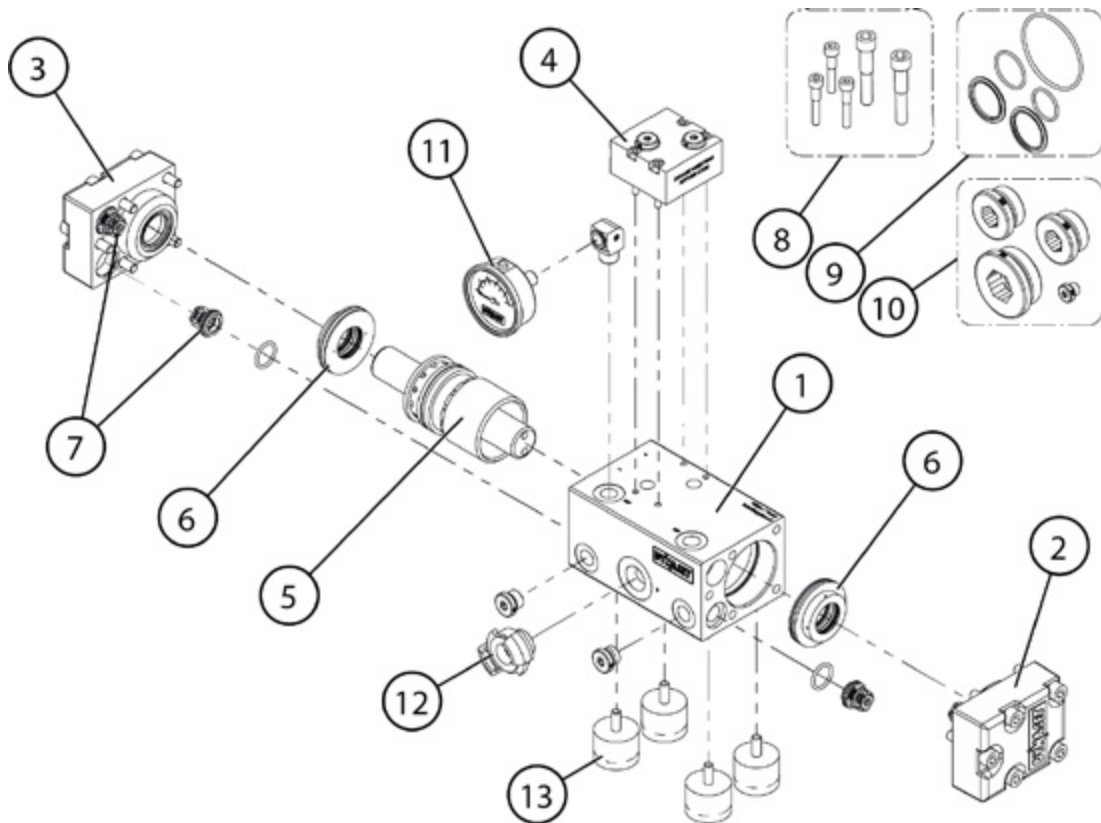
39 Dulacca Street, Acacia Ridge QLD 4110 Australia  
E: sales@mobileenergyaustralia.com.au

ABN 40 218 849 719  
www.mobileenergyaustralia.com.au

## SPARE PARTS

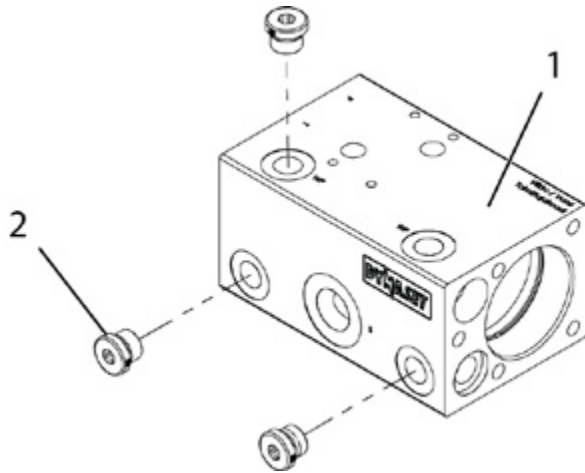
<b>MAIN COMPONENTS</b>	<b>3</b>
1. <b>CENTER BODY</b> .....	<b>4</b>
2. <b>HEAD RIGHT</b> .....	<b>5</b>
3. <b>HEAD LEFT</b> .....	<b>5</b>
4. <b>PT BLOCK</b> .....	<b>6</b>
5. <b>PISTON</b> .....	<b>8</b>
6. <b>SEAL FLANGE</b> .....	<b>9</b>
7. <b>WATER VALVE</b> .....	<b>10</b>
8. <b>SCREW KIT</b> .....	<b>11</b>
9. <b>SEAL KIT</b> .....	<b>12</b>
10. <b>PLUG KIT</b> .....	<b>13</b>
11. <b>PRESSURE GAUGE</b> .....	<b>14</b>

## MAIN COMPONENTS



POS	PART NUMBER	QTY	DESCRIPTION	DETAILS	DETAILS 2
1		1	CENTER BODY		See separate part list
2		1	HEAD RIGHT		See separate part list
3		1	HEAD LEFT		See separate part list
4		1	PT BLOCK KIT		See separate part list
5		1	PISTON KIT		See separate part list
6		2	SEAL FLANGE KIT		See separate part list
7		2	WATER VALVE KIT		See separate part list
8			SCREW KIT		See separate part list
9			SEAL KIT		See separate part list
10			PLUG KIT		See separate part list
11		1	PRESSURE GAUGE		See separate part list
12	V170 3275 000	1	CLAW COUPLING	25 - R3/4	
13	V100 100 001	1	RUBBER CUSHION KIT	D40 / H30 - M8	

## 1. CENTER BODY

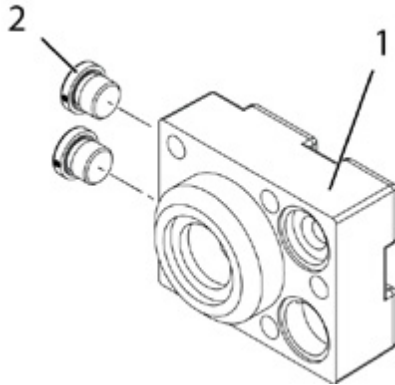


POS	PART NUMBER	QTY	DESCRIPTION	DETAILS	DETAILS 2
1	V100 101 811	1	CENTER BODY M	D63 -Al	Includes pos. 2
2	*	3	HEXAGON SOCKET CAP PLUG	R3/8	Stainless Steel

\* Not sold separately. Available only in kit or assembly described above or presented in separate part list.  
Read Details 2

Plugs are also available in Plug kit, see page 13.

## 2. HEAD RIGHT

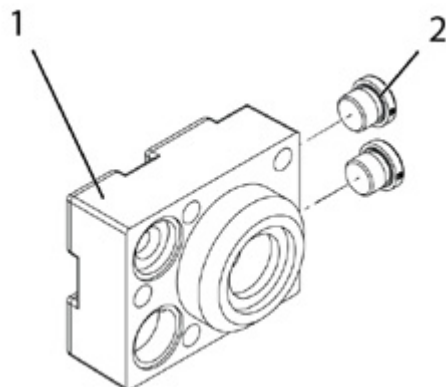


POS	PART NUMBER	QTY	DESCRIPTION	DETAILS	DETAILS 2
1	V100 101 812	1	HEAD RIGHT	D63 / d30	Includes pos. 2
2	*	2	HEXAGON SOCKET CAP PLUG	R3/8	Stainless Steel

\* Not sold separately. Available only in kit or assembly described above or presented in separate part list.  
Read Details 2

Plugs are also available in Plug kit, see page 13.

## 3. HEAD LEFT

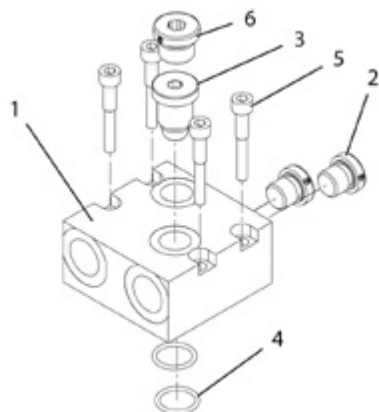


POS	PART NUMBER	QTY	DESCRIPTION	DETAILS	DETAILS 2
1	V100 101 813	1	HEAD LEFT	D63 / d30	Includes pos. 2
2	*	2	HEXAGON SOCKET CAP PLUG	R3/8	Stainless Steel

\* Not sold separately. Available only in kit or assembly described above or presented in separate part list.  
Read Details 2

Plugs are also available in Plug kit, see page 13.

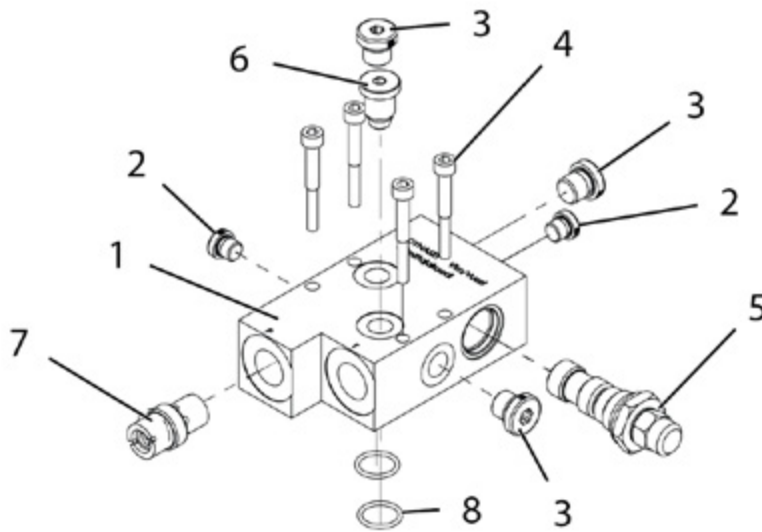
## 4. PT BLOCK



POS	PART NUMBER	QTY	DESCRIPTION	DETAILS	DETAILS 2
	<b>V100 100 510</b>		<b>PT BLOCK</b>		<b>Includes pos. 1-6</b>
1	*	1	PT BLOCK	R1/2 - AI - Minimum pressure valve	
2	*	2	HEXAGON SOCKET CAP PLUG	R1/4	
3	*	1	MINIMUM PRESSURE VALVE	1/2"	
4	*	2	O-RING	17 x 2	
5	*	4	HEXAGON SOCKET CAP SCREW	M6x40	
6	*	1	HEXAGON SOCKET CAP PLUG	R3/8	

\* Not sold separately. Available only in kit or assembly described above or presented in separate part list.  
Read Details 2

Screws are also available in Screw kit, see page 11.  
O-rings are also available in Seal kit, see page 12.  
Plugs are also available in Plug kit, see page 13.

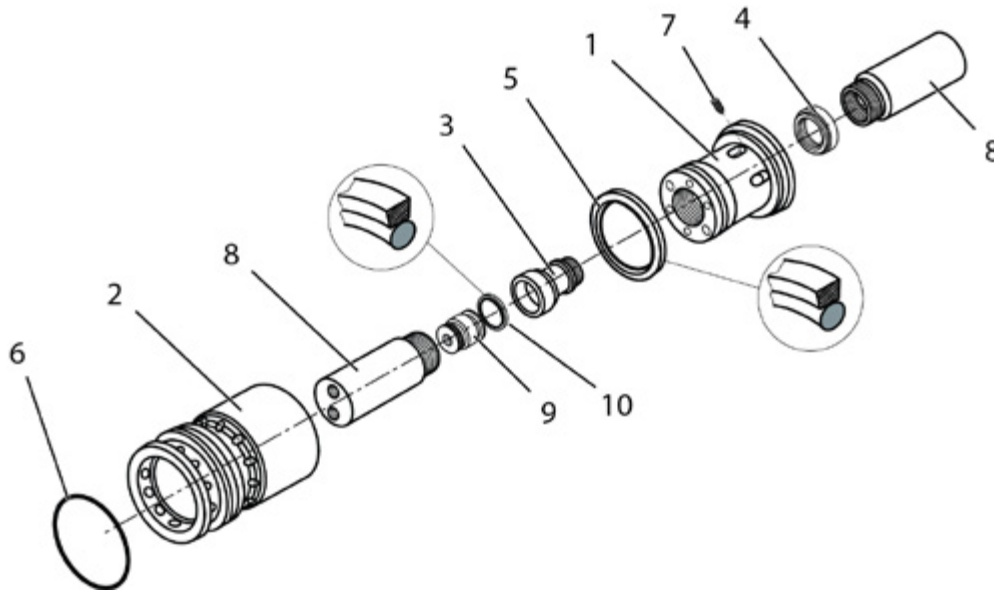


POS	PART NUMBER	QTY	DESCRIPTION	DETAILS	DETAILS 2
	<b>V100 100 520</b>		<b>PT BLOCK - VR - PA</b>		<b>Includes pos. 1-8</b>
1	*	1	PT BLOCK	R1/2-VR-PA Minimum pressure valve	
2	*	2	HEXAGON SOCKET CAP PLUG	R1/8	
3	*	3	HEXAGON SOCKET CAP PLUG	R1/4	
4	*	4	HEXAGON SOCKET CAP SCREW	M6x50	
5	*	1	PRESSURE REDUCING VALVE CARTRIDGE	315/70-210 40 lpm	
6	*	1	MINIMUM PRESSURE VALVE	1/2"	
7	*	1	FLOW LIMITER CARTRIDGE	R1/2 - 40 lpm	
8	*	2	O-RING	17 x 2	

\* Not sold separately. Available only in kit or assembly described above or presented in separate part list.  
Read Details 2

Screws are also available in Screw kit, see page 11.  
O-rings are also available in Seal kit, see page 12.  
Plugs are also available in Plug kit, see page 13.

## 5. PISTON



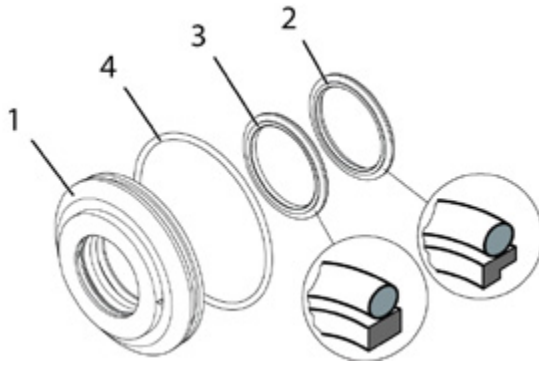
POS	PART NUMBER	QTY	DESCRIPTION	DETAILS	DETAILS 2
	<b>V100 101 809</b>		<b>PISTON KIT</b>		<b>Includes pos. 1-10</b>
1	*	1	HYDRAULIC PISTON	D55 / d44,3	
2	*	1	CYLINDER LINER	D55 / d44,3	
3	*	1	VALVE SPOOL	24/25	
4	*	1	VALVE SEAT	23,2/5,5	
5	*	1	PISTON SEAL ASSEMBLY	D55	
6	*	1	O-RING	57 x 3	
7	*	2	SET SCREW	M5 x 8	
8	V100 101 805	1	SECONDARY PISTON	D30	<b>Piston kit includes 2 Secondary pistons</b>
9	V100 101 804	1	REVERSAL VALVE GUIDE	M55	Includes pos. 10
10	*	1	PISTON SEAL ASSEMBLY	D18	
	<b>V100 101 808</b>		<b>HYDRAULIC PISTON KIT</b>		<b>Includes pos. 1-7</b>

\* Not sold separately. Available only in kit or assembly described above or presented in separate part list.  
Read Details 2

Screws are also available in Screw kit, see page 11.  
O-rings are also available in Seal kit, see page 12.  
Plugs are also available in Plug kit, see page 13.



## 6. SEAL FLANGE

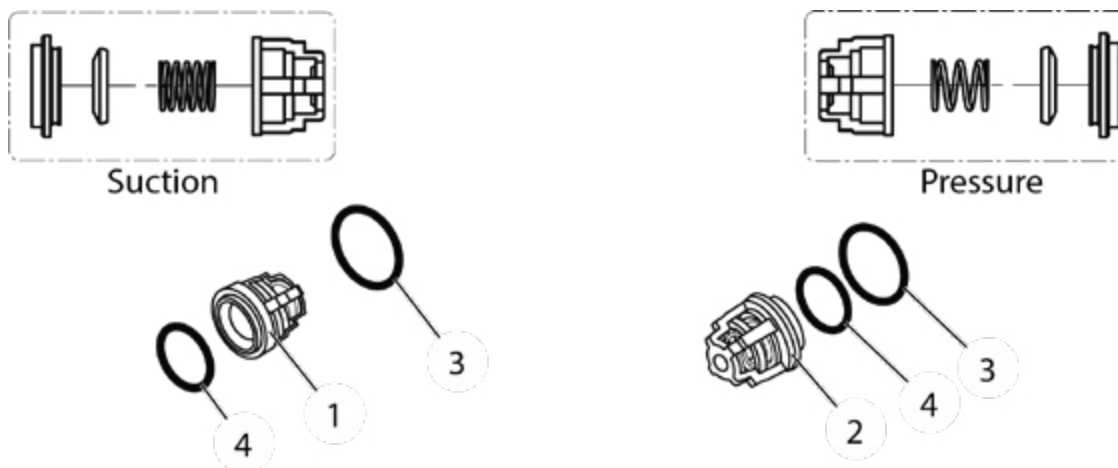


POS	PART NUMBER	QTY	DESCRIPTION	DETAILS	DETAILS 2
	<b>V100 101 808</b>		<b>SEAL FLANGE KIT</b>	<b>D63 / d30</b>	<b>Includes pos. 1-4</b>
1	V100 101 806	1	FLANGE BODY		
2	*	1	WATER PISTON SEAL	1T	Includes O-ring
3	*	1	WATER PISTON SEAL	2T	Includes O-ring
4	*	1	O-RING	57	

\* Not sold separately. Available only in kit or assembly described above or presented in separate part list.  
Read Details 2

O-rings and seals are also available in Seal kit, see page 12.

## 7. WATER VALVE



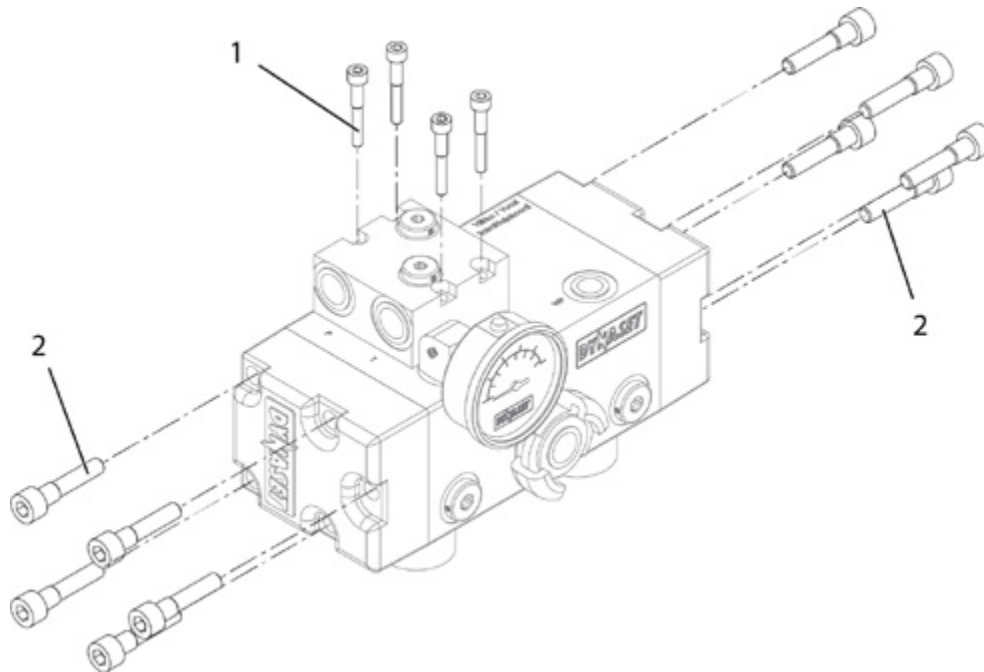
**NOTE!** The pressure valve's spring (2) has less turns than the suction valve's (1) spring.

POS	PART NUMBER	QTY	DESCRIPTION	DETAILS	DETAILS 2
	V100 101 810		WATER VALVE KIT		Includes pos. 1-4
1	*	2	WATER VALVE	Suction	
2	*	2	WATER VALVE	Pressure	
3	*	4	O-RING	27	
4	*	4	O-RING	20,3	

\* Not sold separately. Available only in kit or assembly described above or presented in separate part list.  
Read Details 2

O-rings are also available in Seal kit, see page 12.

## 8. SCREW KIT

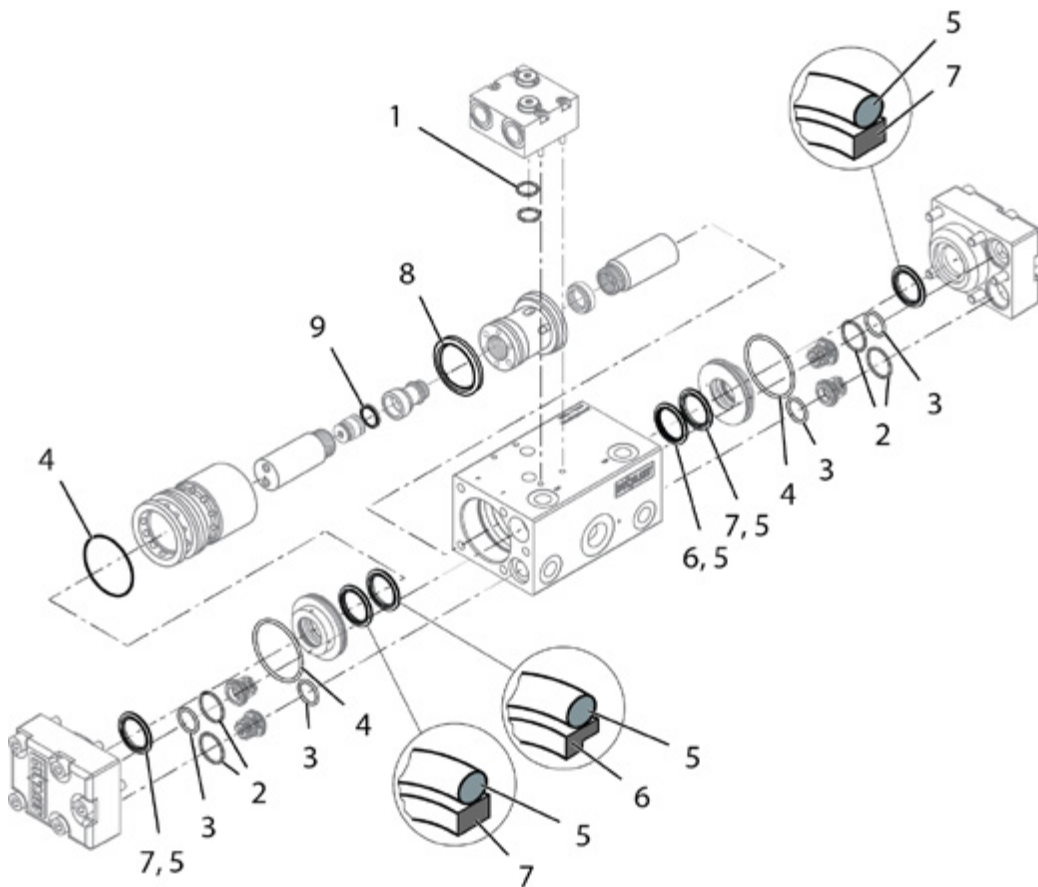


POS	PART NUMBER	QTY	DESCRIPTION	DETAILS	DETAILS 2
	<b>V100 101 802</b>		<b>SCREW KIT</b>		<b>Includes pos. 1-2</b>
1	*	4	HEXAGON SOCKET CAP SCREW	M6 x 40	
2	*	10	HEXAGON SOCKET CAP SCREW	M10 x 45	

\* Not sold separately. Available only in kit or assembly described above or presented in separate part list.  
Read Details 2

**!** NOTE! Tightening torques can be found in user manual.

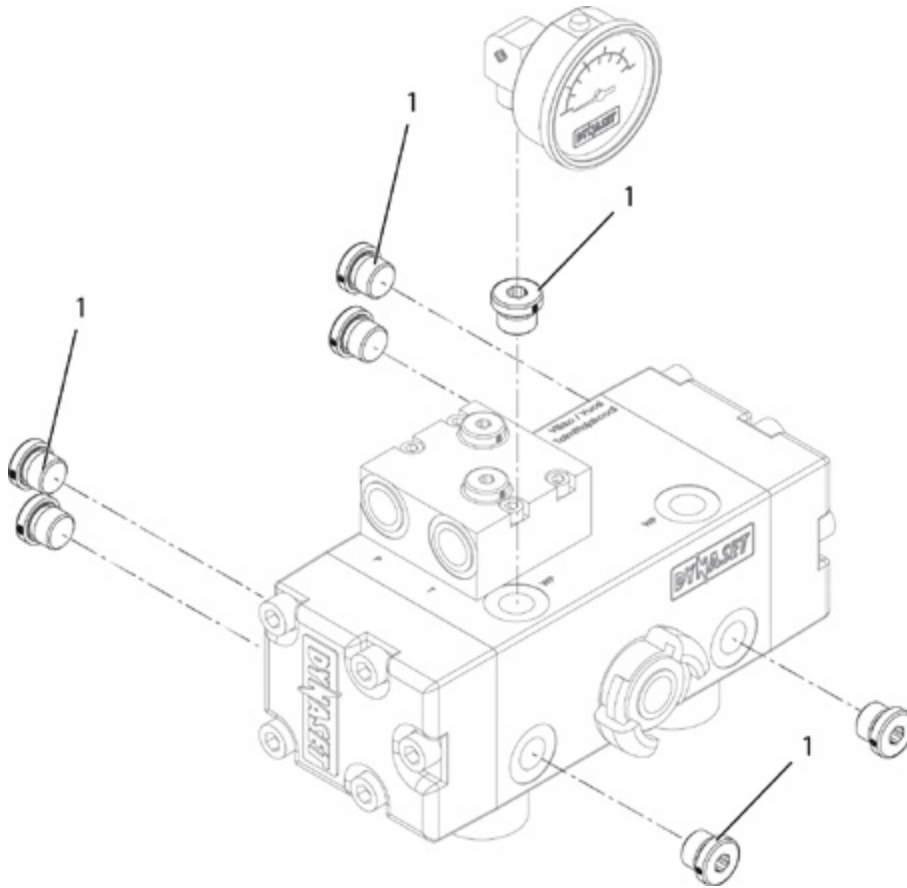
## 9. SEAL KIT



POS	PART NUMBER	QTY	DESCRIPTION	DETAILS	DETAILS 2
	<b>V100 101 800</b>		<b>SEAL KIT</b>		<b>Includes pos. 1-9</b>
1	*	2	O-RING	17 x 2	
2	*	4	O-RING	27 x 2	
3	*	4	O-RING	20,3 x 2,62	
4	*	3	O-RING	57 x 3	
5	*	6	O-RING	34,52 x 3,53	
6	*	2	WATER PISTON SEAL	1T	
7	*	4	WATER PISTON SEAL	2T	
8	*	1	PISTON SEAL ASSEMBLY	D55	
9	*	1	PISTON SEAL ASSEMBLY	D18	
	<b>V100 101 150</b>		<b>PISTON SEAL KIT</b>		<b>Includes pos. 8-9</b>

\* Not sold separately. Available only in kit or assembly described above or presented in separate part list.  
Read Details 2

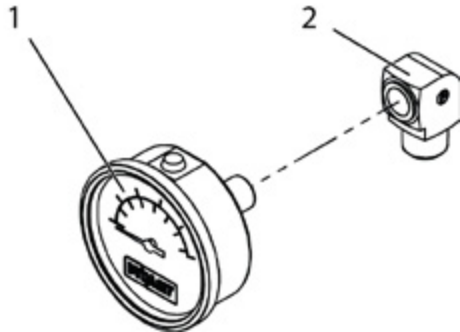
## 10. PLUG KIT



POS	PART NUMBER	QTY	DESCRIPTION	DETAILS	DETAILS 2
	<b>V100 101 803</b>		<b>PLUG KIT</b>		<b>Includes pos. 1</b>
1	*	7	HEXAGON SOCKET CAP PLUG	R3/8	Stainless Steel

\* Not sold separately. Available only in kit or assembly described above or presented in separate part list.  
Read Details 2

## 11. PRESSURE GAUGE



POS	PART NUMBER	QTY	DESCRIPTION	DETAILS	DETAILS 2
	<b>V100 101 166</b>	<b>1</b>	<b>PRESSURE GAUGE KIT</b>		<b>Includes pos. 1-2</b>
1	V100101 165	1	PRESSURE GAUGE	D63 - 250 bar	
2	*	1	ELBOW		

\* Not sold separately. Available only in kit or assembly described above or presented in separate part list.  
Read Details 2