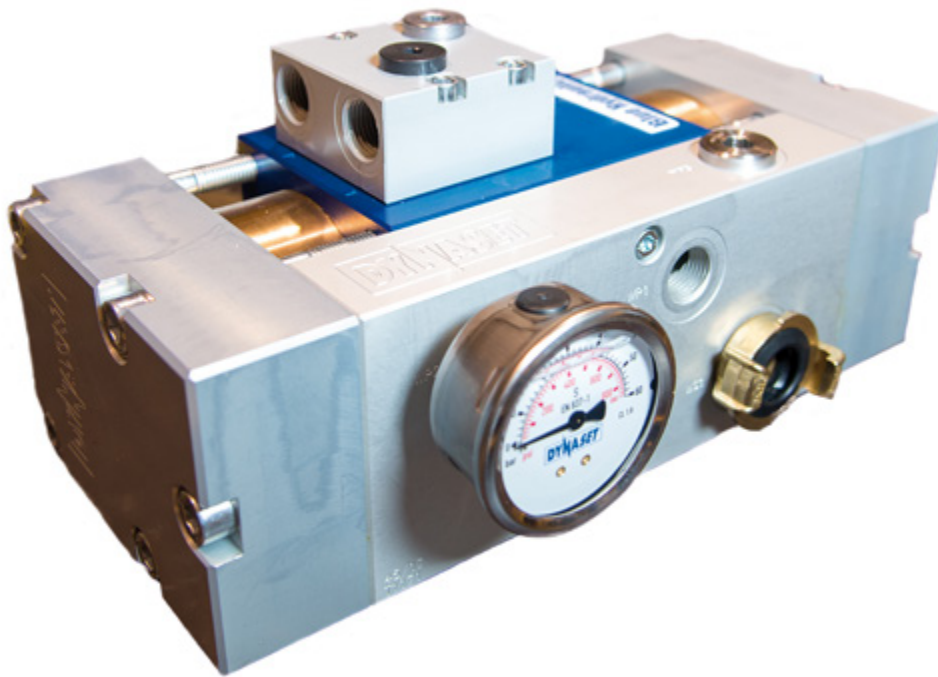


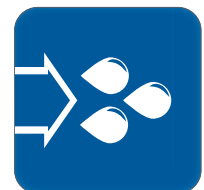


**DYNASET**

**POWERED BY HYDRAULICS**



**SPARE PARTS**  
**HYDRAULIC DRILLING FLUID PUMP**



HDF 40 /40-8

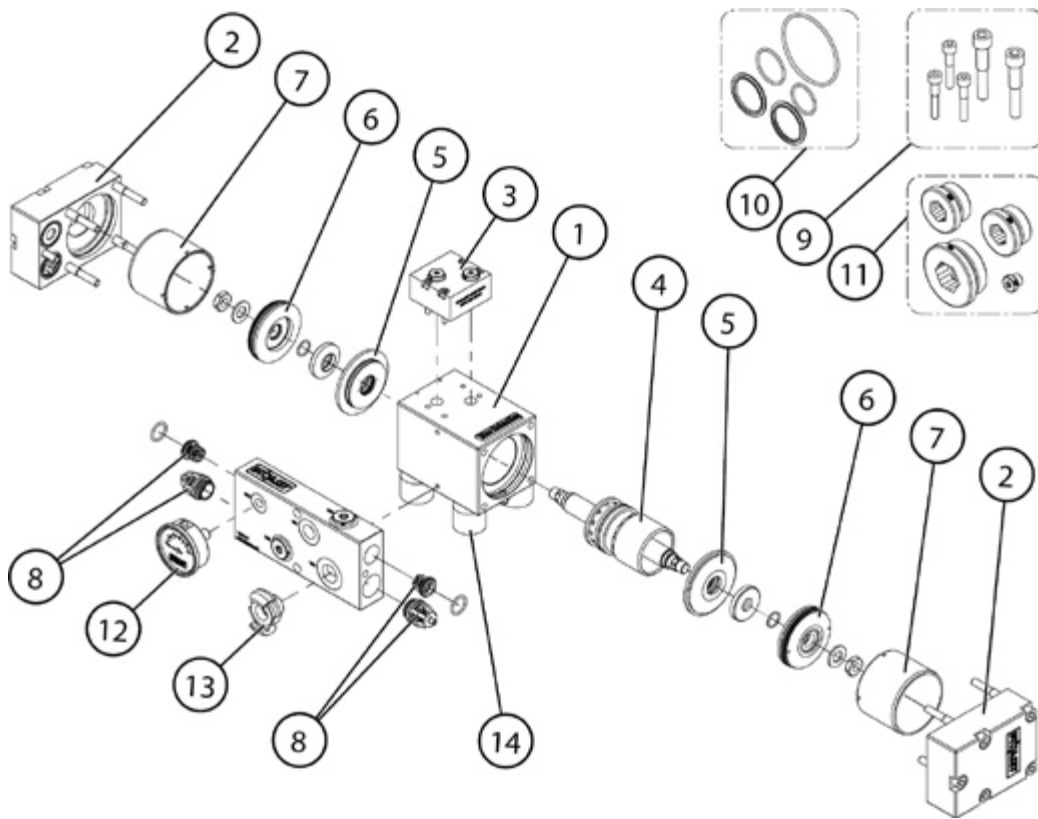
HDF\_40\_40-8\_MEA-IPL 1.0



**SPARE PARTS**

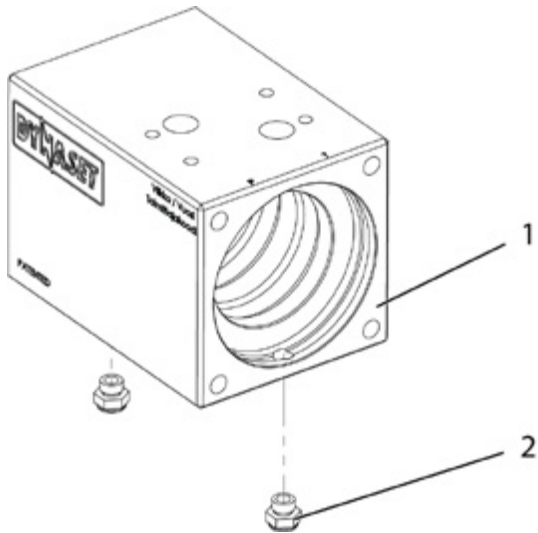
<b>MAIN COMPONENTS</b>	<b>3</b>
1. <b>CENTER BODY</b> .....	<b>4</b>
2. <b>HEAD</b> .....	<b>5</b>
3. <b>PT BLOCK</b> .....	<b>6</b>
4. <b>PISTON</b> .....	<b>9</b>
5. <b>SEAL FLANGE</b> .....	<b>10</b>
6. <b>WATER PISTON</b> .....	<b>11</b>
7. <b>WATER CYLINDER</b> .....	<b>12</b>
8. <b>WATER VALVE KIT</b> .....	<b>13</b>
9. <b>SCREW KIT</b> .....	<b>14</b>
10. <b>SEAL KIT</b> .....	<b>16</b>
11. <b>PLUG KIT</b> .....	<b>18</b>

## MAIN COMPONENTS



POS	PART NUMBER	QTY	DESCRIPTION	DETAILS	DETAILS 2
1		1	CENTER BODY		See separate part list
2		2	HEAD		See separate part list
3		1	PT BLOCK		See separate part list
4		1	PISTON		See separate part list
5		2	SEAL FLANGE		See separate part list
6		2	WATER PISTON		See separate part list
7		2	WATER CYLINDER		See separate part list
8		2	WATER VALVE KIT		See separate part list
9			SCREW KIT		See separate part list
10			SEAL KIT		See separate part list
11			PLUG KIT		See separate part list
12	V100 101 165	1	PRESSURE GAUGE	D63 - 250 bar	
13	V170 3275 000	1	CLAW COUPLING	25 - R3/4	
14	V100 100 001		RUBBER CUSHION KIT	Includes 4 cushions	

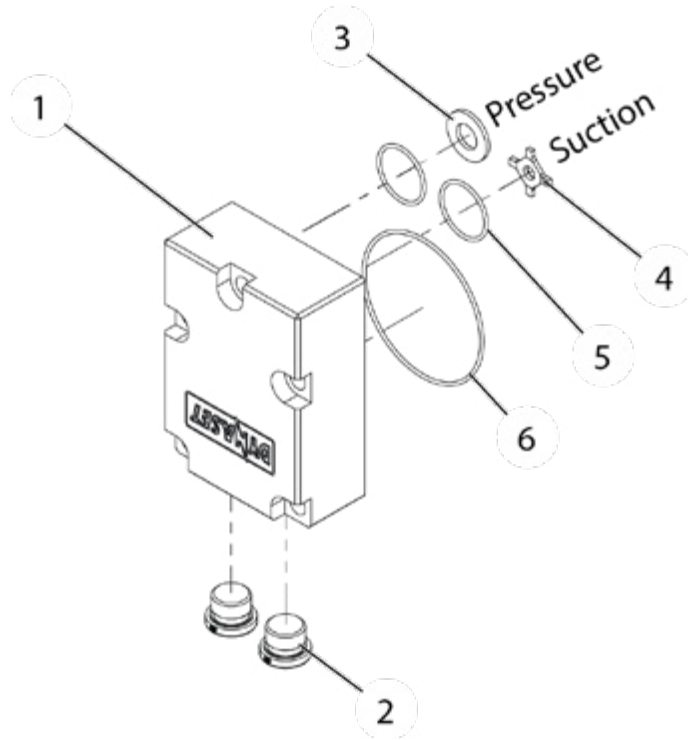
## 1. CENTER BODY



POS	PART NUMBER	QTY	DESCRIPTION	DETAILS	DETAILS 2
1	V100 101 842	1	CENTER BODY		Includes pos. 2
2	*	2	SILENCER	R1/8	

\* Not sold separately. Available only in kit or assembly described above or presented in separate part list.  
Read Details 2

## 2. HEAD

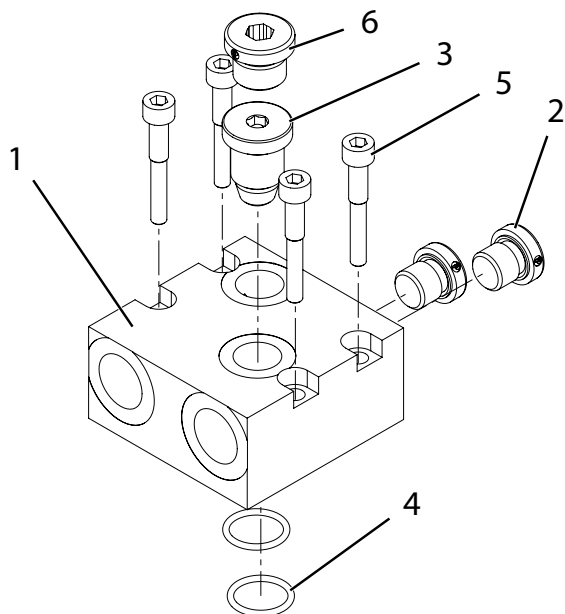


POS	PART NUMBER	QTY	DESCRIPTION	DETAILS	DETAILS 2
	<b>V100 101 841</b>		<b>HEAD</b>	<b>Left / Right</b>	<b>Includes pos. 1-4</b>
1	*	1	HEAD		
2	*	2	HEXAGON SOCKET CAP PLUG	R1/2	Stainless Steel
3	*	1	FITTING PLATE	Pressure	
4	*	1	FITTING PLATE	Suction	
5	*	2	O-RING	31 x 2	
6	*	1	O-RING	85 x 2	

\* Not sold separately. Available only in kit or assembly described above or presented in separate part list.  
Read Details 2

O-ring are also available in Seal kit, see page 16.  
Plugs are also available in Plug kit, see page 18.

### 3. PT BLOCK



POS	PART NUMBER	QTY	DESCRIPTION	DETAILS	DETAILS 2
	<b>V100 100 500</b>		<b>PT BLOCK KIT</b>		Includes pos. 1-6
1	*	1	PT BLOCK	R1/2 - Al - Minimum pressure valve	
2	*	2	HEXAGON SOCKET CAP PLUG	R1/4	
3	V100 100 510	1	MINIMUM PRESSURE VALVE	1/2"	
4	*	2	O-RING	17 x 2	
5	*	4	HEXAGON SOCKET CAP SCREW	M6x40	
6	*	1	HEXAGON SOCKET CAP PLUG	R3/8	

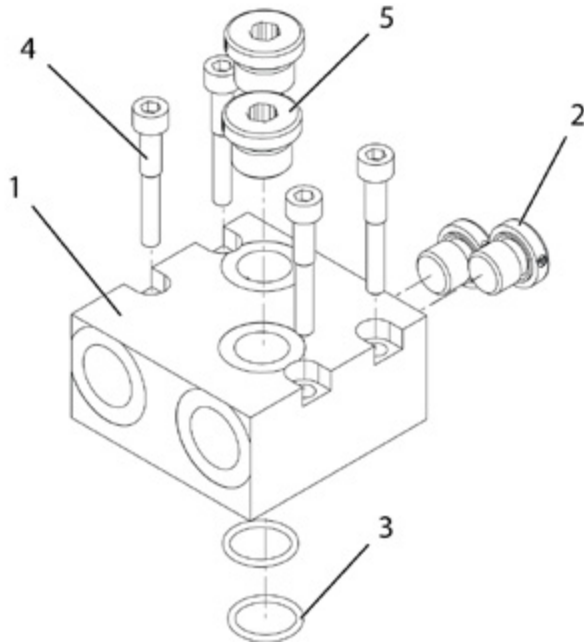
\* Not sold separately. Available only in kit or assembly described above or presented in separate part list.

Read Details 2

Screws are also available in Screw kit, see page 14.

O-ring are also available in Seal kit, see page 16.

Plugs are also available in Plug kit, see page 18.



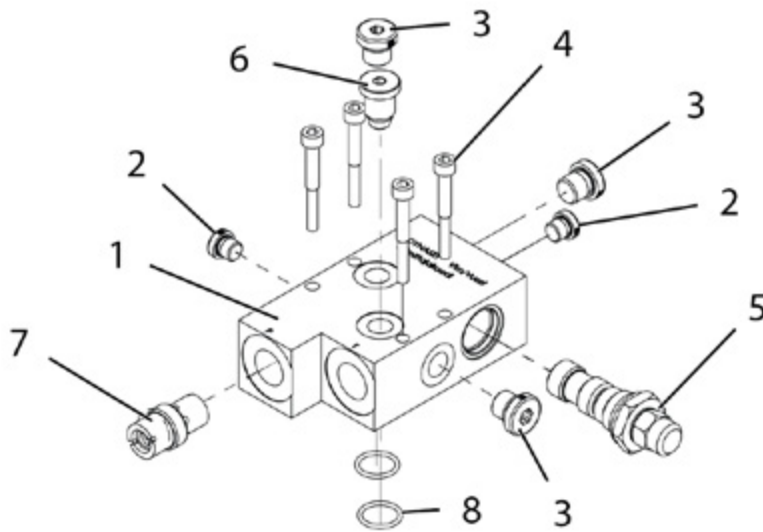
POS	PART NUMBER	QTY	DESCRIPTION	DETAILS	DETAILS 2
	<b>V100 100 480</b>		<b>PT BLOCK KIT - M</b>		Includes pos. 1-5
1	*	1	PT BLOCK	R1/2 - AI - M	
2	*	2	HEXAGON SOCKET CAP PLUG	R1/4	Stainless steel
3	*	2	O-RING	17 x 2	
4	*	4	HEXAGON SOCKET CAP SCREW	M6x40	Stainless steel
5	*	2	HEXAGON SOCKET CAP PLUG	R3/8	Stainless steel

\* Not sold separately. Available only in kit or assembly described above or presented in separate part list.  
Read Details 2

Screws are also available in Screw kit, see page 14.

O-ring are also available in Seal kit, see page 16.

Plugs are also available in Plug kit, see page 18.



POS	PART NUMBER	QTY	DESCRIPTION	DETAILS	DETAILS 2
1	V100 100 520		PT BLOCK - VR - PA	R1/2-VR-PA Minimum pressure valve	Includes pos. 2-8
2	*	2	HEXAGON SOCKET CAP PLUG	R1/8	
3	*	3	HEXAGON SOCKET CAP PLUG	R1/4	
4	*	4	HEXAGON SOCKET CAP SCREW	M6x50	
5	V100 115 040	1	PRESSURE REDUCING VALVE CARTRIDGE	315/70-210 40 lpm	
6	V100 100 510	1	MINIMUM PRESSURE VALVE	1/2"	
7	*	1	FLOW LIMITER CARTRIDGE	R1/2 - 40 lpm	Multiple options
8	*	2	O-RING	17 x 2	

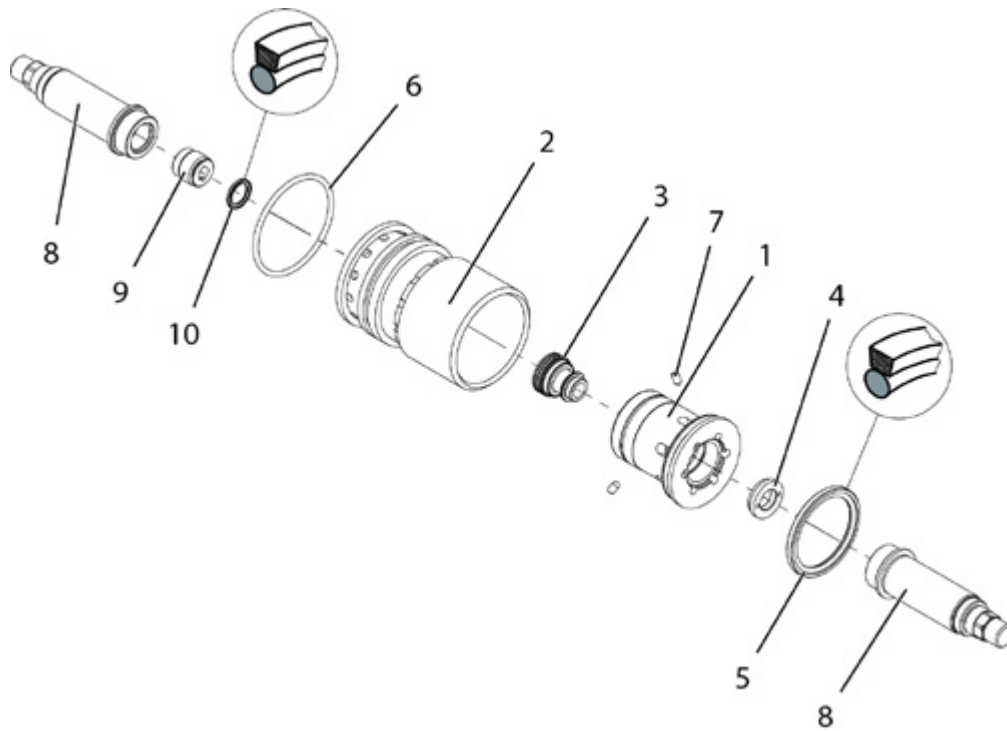
POS	PART NUMBER	QTY	DESCRIPTION	DETAILS	DETAILS 2
1	V100 100 525		PT BLOCK - VR - PA - AIS	R1/2-VR-PA-AIS Minimum pressure valve	Includes pos. 2-8
2	*	2	HEXAGON SOCKET CAP PLUG	R1/8	Stainless steel
3	*	4	HEXAGON SOCKET CAP PLUG	R1/4	Stainless steel
4	*	4	HEXAGON SOCKET CAP SCREW	M6x50	Stainless steel
5	V100 115 040	1	PRESSURE REDUCING VALVE CARTRIDGE	315/70-210 40 lpm	
6	V100 100 510	1	MINIMUM PRESSURE VALVE	1/2"	
7	*	1	FLOW LIMITER CARTRIDGE	R1/2 - 40 lpm	Multiple options
8	*	2	O-RING	17 x 2	

\* Not sold separately. Available only in kit or assembly described above or presented in separate part list.  
Read Details 2

Screws are also available in Screw kit, see page 14.  
O-ring are also available in Seal kit, see page 16.  
Plugs are also available in Plug kit, see page 18.



## 4. PISTON

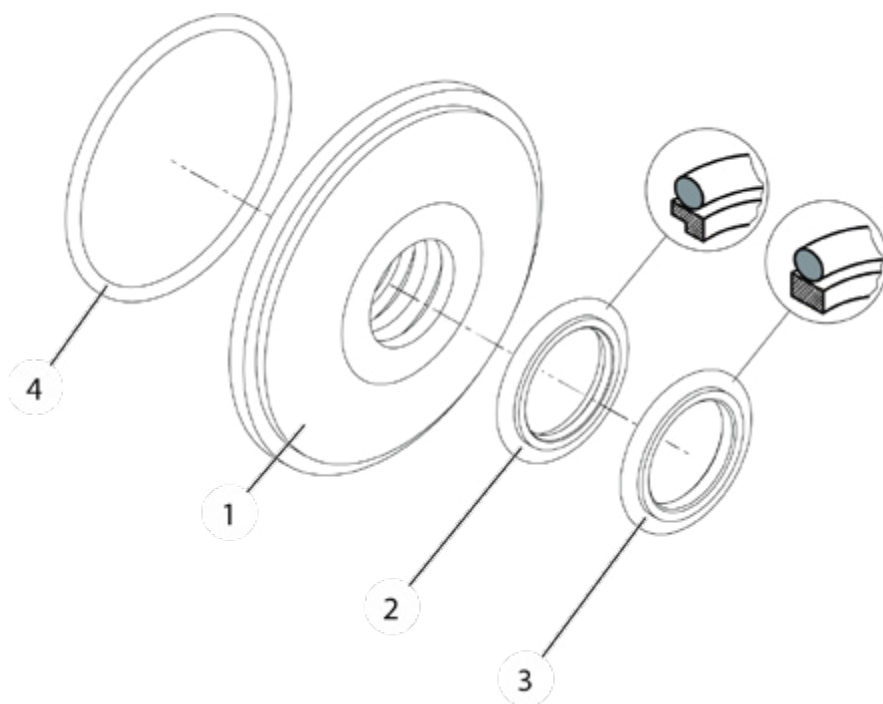


POS	PART NUMBER	QTY	DESCRIPTION	DETAILS	DETAILS 2
	<b>V100 101 815</b>		<b>PISTON KIT</b>		Includes pos. 1-10
1	*	1	HYDRAULIC PISTON	D55 /d42,4	
2	*	1	CYLINDER LINER	D55 /d42,4	
3	*	1	VALVE SPOOL	24/25	
4	*	1	VALVE SEAT	23,2/5,5	
5	*	1	PISTON SEAL ASSEMBLY	M55	
6	*	1	O-RING	57 x 3	
7	*	2	SET SCREW	M5x8	
8	V100 101 817	1	PISTON ROD	D24 - L98,5	<b>Piston kit includes 2 piston rods</b>
9	*	1	REVERSAL VALVE GUIDE	M55	
10	*	1	PISTON SEAL ASSEMBLY	M18	
	<b>V100 101 821</b>		<b>REVERSAL VALVE GUIDE KIT</b>		Includes pos. 9-10

\* Not sold separately. Available only in kit or assembly described above or presented in separate part list.  
Read Details 2

Seals are also available in Seal kit, see page 16.

## 5. SEAL FLANGE

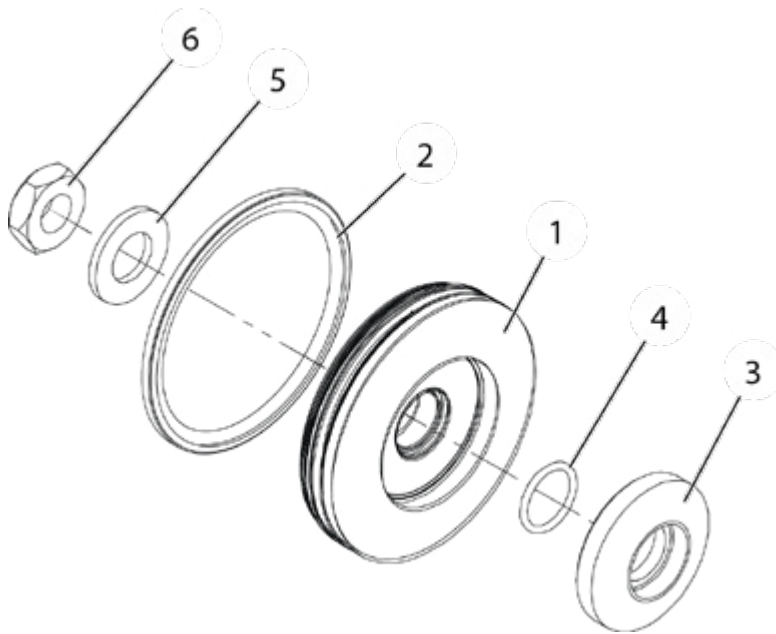


POS	PART NUMBER	QTY	DESCRIPTION	DETAILS	DETAILS 2
	<b>V100 101 825</b>		<b>SEAL FLANGE KIT</b>		Includes pos. 1-4
1	V100 101 816	1	SEAL FLANGE		Without seals
2	*	1	ROD SEAL	1T	
3	*	1	ROD SEAL	2T	
4	*	1	O-RING	57 x 3	

\* Not sold separately. Available only in kit or assembly described above or presented in separate part list.  
Read Details 2

Seals and O-rings are also available in Seal kit, see page 16.

## 6. WATER PISTON

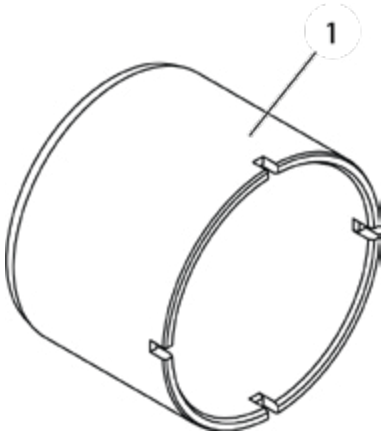


POS	PART NUMBER	QTY	DESCRIPTION	DETAILS	DETAILS 2
	<b>V100 101 819</b>		<b>WATER PISTON KIT</b>		<b>Includes pos. 1-6</b>
1	*	1	WATER PISTON		
2	*	1	SEAL		
3	*	1	SUPPORT PLATE	22/45	
4	*	1	O-RING	17 x 2	
5	*	1	WASHER	A14	Stainless steel
6	*	1	HEX NUT	M14	Stainless steel

\* Not sold separately. Available only in kit or assembly described above or presented in separate part list.  
Read Details 2

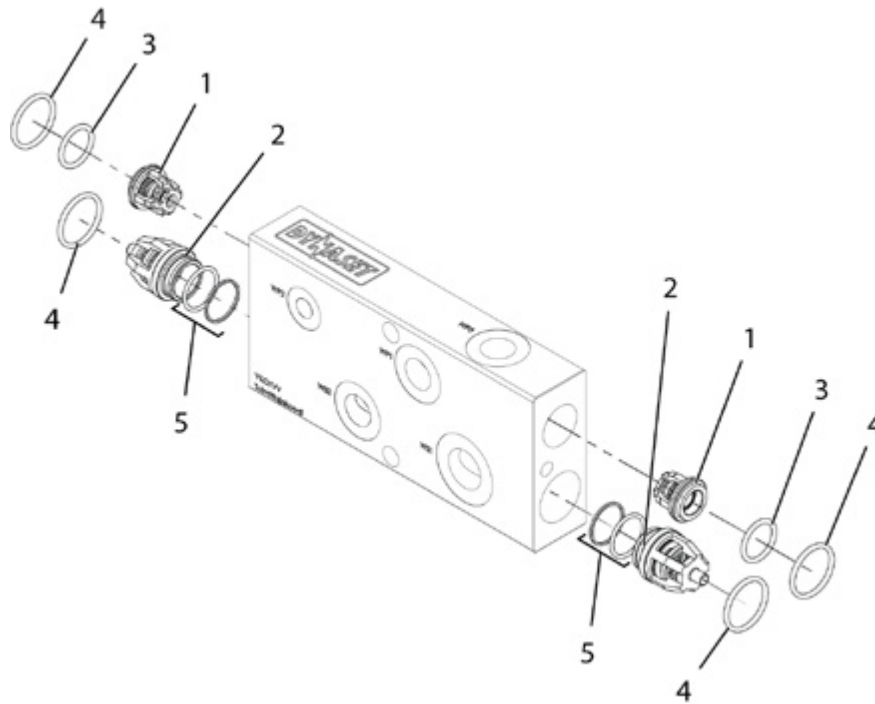
Seals and O-rings are also available in Seal kit, see page 16.

## 7. WATER CYLINDER



POS	PART NUMBER	QTY	DESCRIPTION	DETAILS	DETAILS 2
1	V100 101 819	1	WATER CYLINDER		

## 8. WATER VALVE KIT

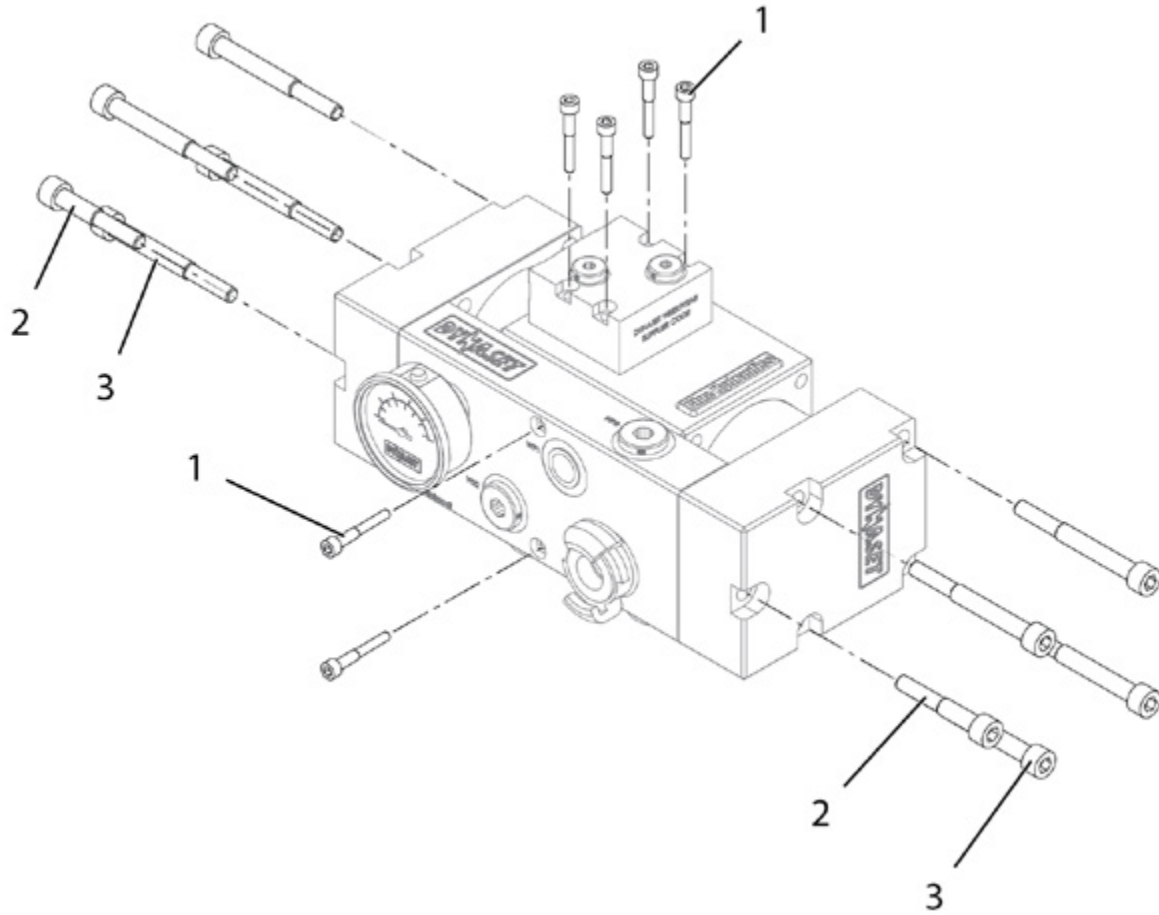


POS	PART NUMBER	QTY	DESCRIPTION	DETAILS	DETAILS 2
	<b>V100 101 830</b>		<b>WATER VALVE KIT</b>		<b>Includes pos. 1-3</b>
1	*	2	WATER VALVE - PRESSURE	D25-22	Includes O-rings
2	*	2	WATER VALVE - SUCTION	D30-42,3	Includes O-rings
3	*	2	O-RING	20,3 x 2,62	
4	*	4	O-RING	31 x 2	
5	*	2	O-RING + SUPPORT RING	20,35 x 1,78	

\* Not sold separately. Available only in kit or assembly described above or presented in separate part list.  
Read Details 2

O-rings are also available in Seal kit, see page 16.

### 9. SCREW KIT



**SPARE PARTS**

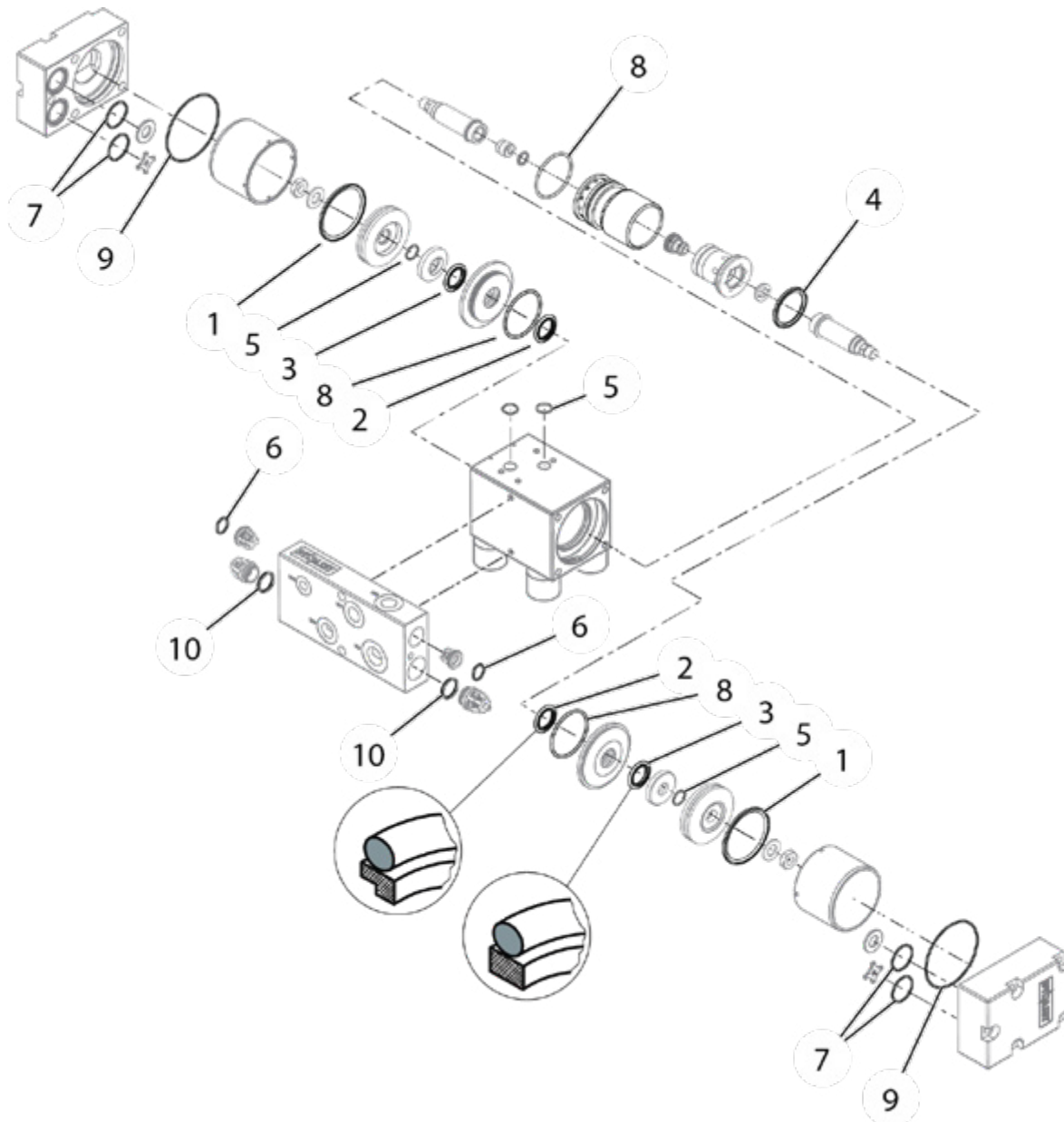
POS	PART NUMBER	QTY	DESCRIPTION	DETAILS	DETAILS 2
	<b>V100 101 840</b>		<b>SCREW KIT</b>		<b>Includes pos- 1-3</b>
1	*	6	HEXAGON SOCKET CAP SCREW	M6x40	
2	*	2	HEXAGON SOCKET CAP SCREW	M10x60	
3	*	8	HEXAGON SOCKET CAP SCREW	M10x90	

POS	PART NUMBER	QTY	DESCRIPTION	DETAILS	DETAILS 2
	<b>V100 101 838</b>		<b>SCREW KIT - M</b>		<b>Includes pos- 1-3</b>
1	*	6	HEXAGON SOCKET CAP SCREW	M6x40	Stainless Steel
2	*	2	HEXAGON SOCKET CAP SCREW	M10x60	Stainless Steel
3	*	8	HEXAGON SOCKET CAP SCREW	M10x90	Stainless Steel

\* Not sold separately. Available only in kit or assembly described above or presented in separate part list.  
Read Details 2

**!** **NOTE! Tightening torques can be found in user manual.**

## 10. SEAL KIT

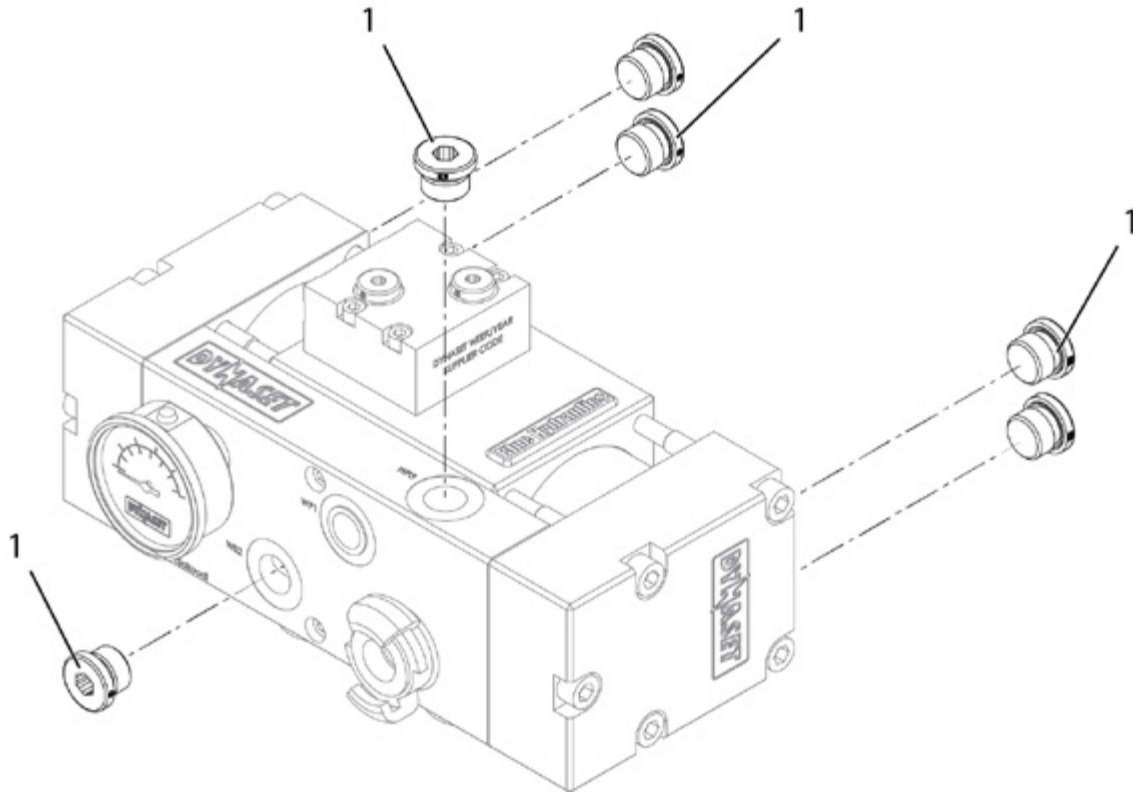




POS	PART NUMBER	QTY	DESCRIPTION	DETAILS	DETAILS 2
	<b>V100 101 820</b>		<b>SEAL KIT</b>		<b>Includes pos- 1-10</b>
1	*	2	PISTON SEAL ASSEMBLY	M78	
2	*	2	ROD SEAL ASSEMBLY	1T	Includes o-ring
3	*	2	ROD SEAL ASSEMBLY	2T	Includes o-ring
4	*	1	PISTON SEAL ASSEMBLY	M55	Includes o-ring
5	*	4	O-RING	17 x 2	
6	*	2	O-RING	20,3 x 2,62	
7	*	4	O-RING	31 x 2	
8	*	3	O-RING	57 x 3	
9	*	2	O-RING	85 x 2	
10	*	2	O-RING + SUPPORT RING	20,35 x 1,78	

\* Not sold separately. Available only in kit or assembly described above or presented in separate part list.  
Read Details 2

## 11. PLUG KIT



POS	PART NUMBER	QTY	DESCRIPTION	DETAILS	DETAILS 2
	<b>V100 101 845</b>		<b>PLUG KIT</b>		<b>Includes pos. 1</b>
1	*	6	HEXAGON SOCKET CAP PLUG	R1/2	Stainless Steel

\* Not sold separately. Available only in kit or assembly described above or presented in separate part list.  
Read Details 2