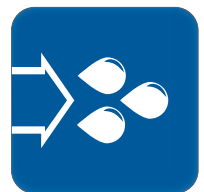


SPARE PARTS HIGH PRESSURE WATER PUMPS



HDF 90 /150-85

HDF_90_150-85_MEA-IPL 1.0

Mobile Energy Australia
P: +61 3273 6803

39 Dulacca Street, Acacia Ridge QLD 4110 Australia
E: sales@mobileenergyaustralia.com.au

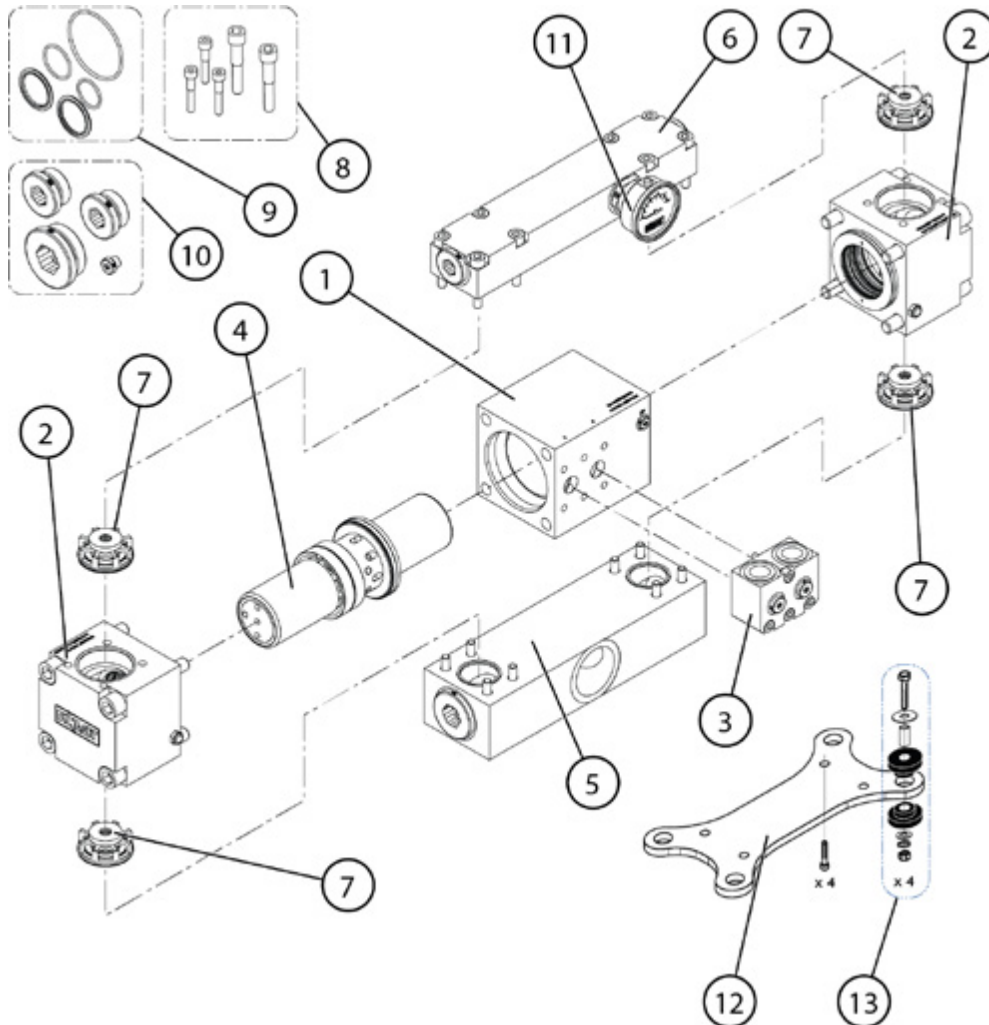
ABN 40 218 849 719
www.mobileenergyaustralia.com.au



SPARE PARTS

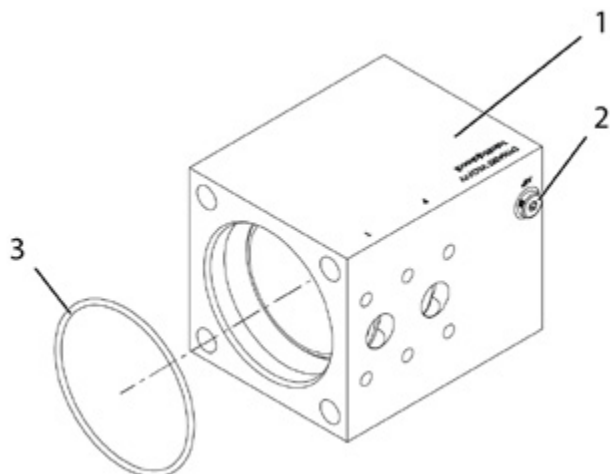
MAIN COMPONENTS	3
1. CENTER BODY	4
2. HEAD	5
3. PT BLOCK	6
4. PISTON	9
5. SUCTION MANIFOLD	10
6. PRESSURE MANIFOLD	11
7. WATER VALVE	12
8. SCREW KIT	14
9. SEAL KIT	16
10. PLUG KIT	18

MAIN COMPONENTS



POS	PART NUMBER	QTY	DESCRIPTION	DETAILS	DETAILS 2
1		1	CENTER BODY		See separate part list
2		2	HEAD		See separate part list
3		1	PT BLOCK		See separate part list
4		1	PISTON		See separate part list
5		1	SUCTION MANIFOLD		See separate part list
6		1	PRESSURE MANIFOLD		See separate part list
7		1	WATER VALVE KIT		See separate part list
8			SCREW KIT		See separate part list
9			SEAL KIT		See separate part list
10			PLUG KIT		See separate part list
11	V100 101 720	1	PRESSURE GAUGE		
11	V100 101 721	1	PRESSURE GAUGE KIT		Includes reduction
12	D219 011 784	1	MOUNTING PLATE KIT		
13	V100 100 010	1	RUBBER CUSHION KIT		

1. CENTER BODY



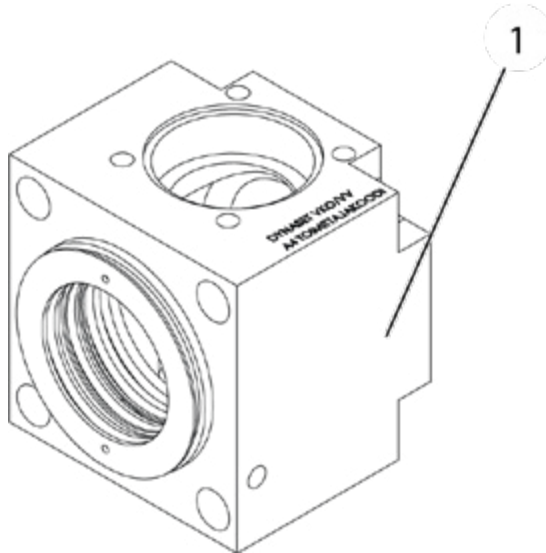
POS	PART NUMBER	QTY	DESCRIPTION	DETAILS	DETAILS 2
1	V100 101 792	1	CENTER BODY		Includes pos. 2-3
2	*	1	HEXAGON SOCKET CAP PLUG	R1/8	Stainless steel
3	*	1	O-RING	87 x 3	

POS	PART NUMBER	QTY	DESCRIPTION	DETAILS	DETAILS 2
1	V100 101 790	1	CENTER BODY AIS	Stainless steel	Includes pos. 2-3
2	*	1	HEXAGON SOCKET CAP PLUG	R1/8	Stainless steel
3	*	1	O-RING	87 x 3	

* Not sold separately. Available only in kit or assembly described above or presented in separate part list.
Read Details 2

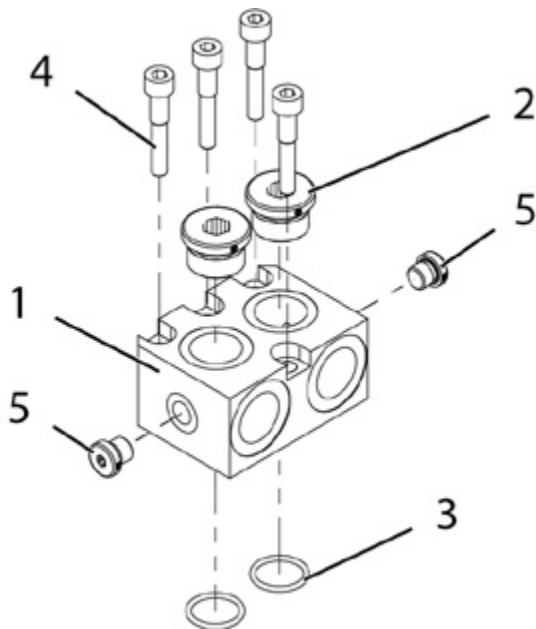
Plugs are also available in Plug kit, see page 18.

2. HEAD



POS	PART NUMBER	QTY	DESCRIPTION	DETAILS	DETAILS 2
1	V100 101 755	1	HEAD	Standard	
POS	PART NUMBER	QTY	DESCRIPTION	DETAILS	DETAILS 2
1	V100 101 757	1	HEAD AIS	Stainless steel	

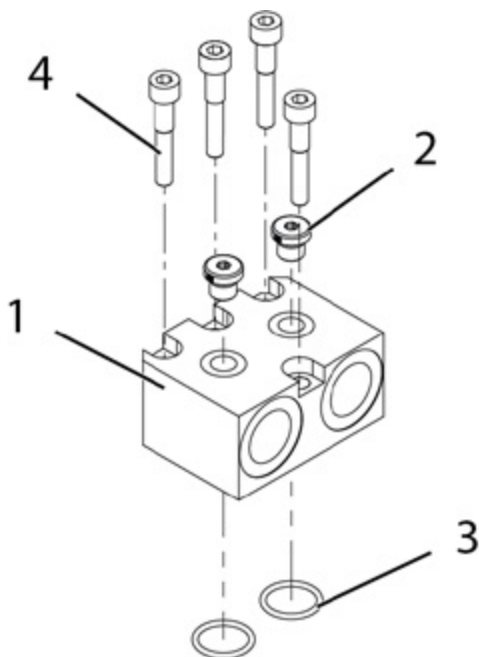
3. PT BLOCK



POS	PART NUMBER	QTY	DESCRIPTION	DETAILS	DETAILS 2
	V100 100 700		PT BLOCK		Includes pos. 1-5
1	*	1	PT BLOCK	R3/4 - AI	
2	*	2	HEXAGON SOCKET CAP PLUG	R3/4	
3	*	2	O-RING	21,3 x 2,4	
4	*	4	HEXAGON SOCKET CAP SCREW	M8x45	
5	*	2	HEXAGON SOCKET CAP PLUG	R1/4	

* Not sold separately. Available only in kit or assembly described above or presented in separate part list.
Read Details 2

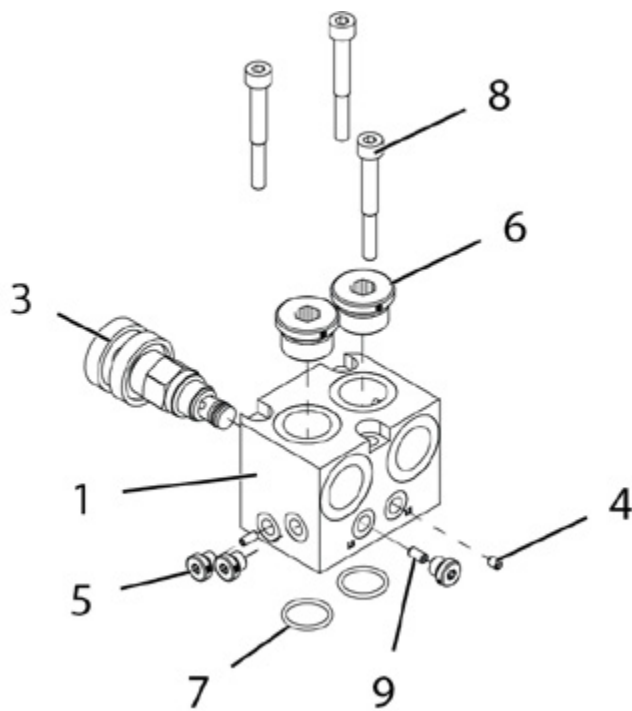
O-rings are also available in Seal kit, see page 16.
Screws are also available in Screw kit, see page 14.



POS	PART NUMBER	QTY	DESCRIPTION	DETAILS	DETAILS 2
	V100 100 720		PT BLOCK - AIS		Includes pos. 1-4
1	*	1	PT BLOCK	R3/4	Stainless Steel
2	*	2	HEXAGON SOCKET CAP PLUG	R1/4	Stainless Steel
3	*	2	O-RING	21,3 x 2,4	
4	*	4	HEXAGON SOCKET CAP SCREW	M8x45	Stainless Steel

* Not sold separately. Available only in kit or assembly described above or presented in separate part list.
Read Details 2

O-rings are also available in Seal kit, see page 16.
Screws are also available in Screw kit, see page 14.

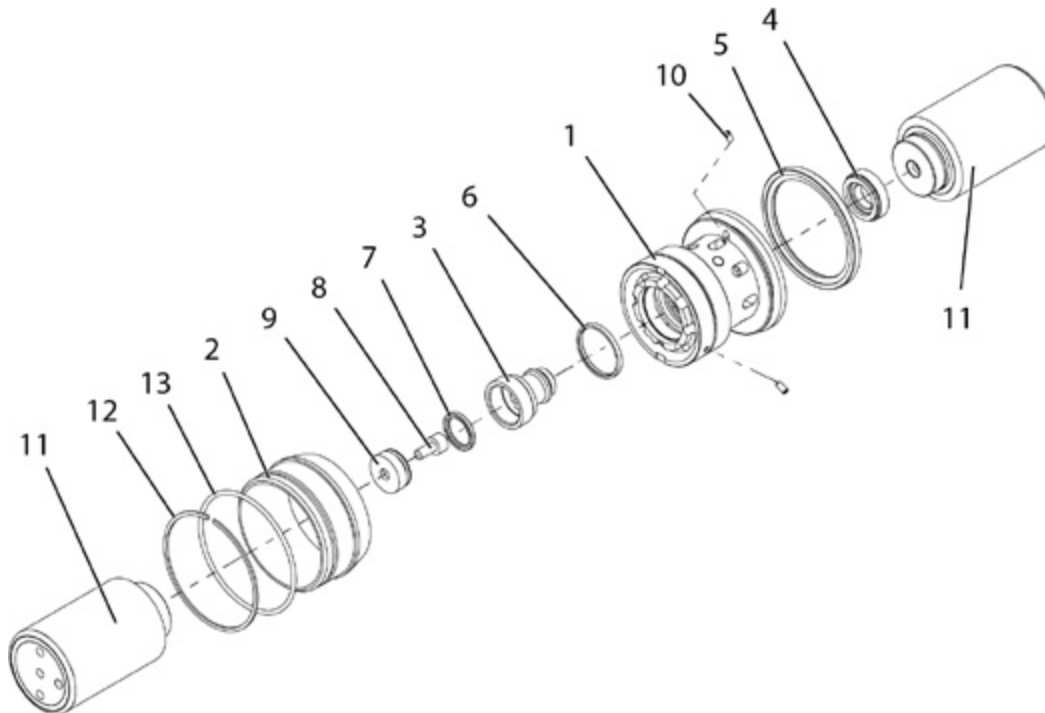


POS	PART NUMBER	QTY	DESCRIPTION	DETAILS	DETAILS 2
	V100 100 740		PT BLOCK LS		Includes pos. 1-9
1	*	1	PT BLOCK	R3/4 - AI - LS	
3	*	1	PRESSURE RELIEF VALVE CARTRIDGE	35-350 bar	
4	*	1	ORIFICE	M6	
5	*	3	HEXAGON SOCKET CAP PLUG	R1/8	
6	*	1	HEXAGON SOCKET CAP PLUG	R3/4	
7	*	2	O-RING	21,3 x 2,4	
8	*	3	HEXAGON SOCKET CAP SCREW	M8x65	
9	*	2	SET SCREW	M4	

* Not sold separately. Available only in kit or assembly described above or presented in separate part list.
Read Details 2

O-rings are also available in Seal kit, see page 16.
Screws are also available in Screw kit, see page 14.

4. PISTON

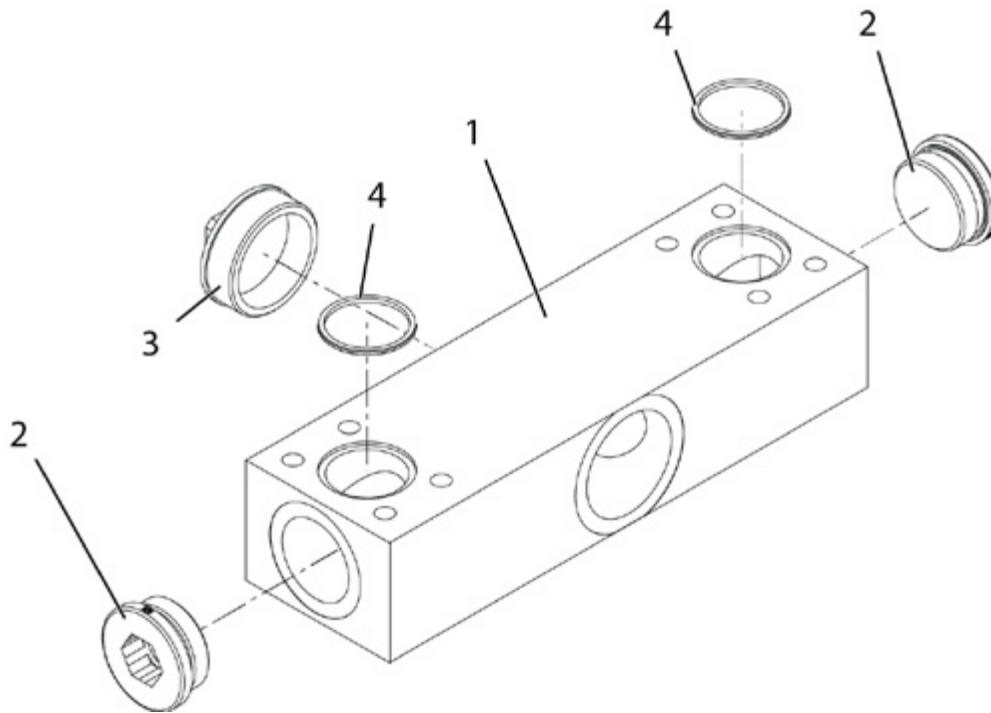


POS	PART NUMBER	QTY	DESCRIPTION	DETAILS	DETAILS 2
	V100 101 770		PISTON KIT		Includes pos. 1-13
1	*	1	HYDRAULIC PISTON	D90 / d77,7	
2	*	1	CYLINDER LINER	D77,7	
3	*	1	VALVE SPOOL	D36-41,5	
4	*	1	VALVE SEAT	D35,3-10,5	
5	*	1	PISTON SEAL ASSEMBLY	M90	
6	*	1	PISTON SEAL ASSEMBLY	M28,5	
7	*	1	ROD SEAL	36/41	
8	*	1	HEXAGON SOCKET CAP SCREW	M8 x 16	
9	*	1	REVERSAL VALVE GUIDE	D28,5	
10	*	2	SET SCREW	M5x10	
11	V100 101 785	1	SECONDARY PISTON	D63	Piston kit includes 2 secondary pistons
12	*	1	LOCK RING	SW 85 x 2,5	
13	*	1	O-RING	87 x 3	
	V100 101 775		HYDRAULIC PISTON KIT	Secondary pistons excluded	Includes pos. 1-5, 7, 8
	V100 101 719		REVERSAL VALVE GUIDE KIT		Includes pos. 6, 9, 8
	V100 101 130		PISTON SEAL KIT		Includes pos. 5, 6, 7

* Not sold separately. Available only in kit or assembly described above or presented in separate part list.
Read Details 2

Seals and O-rings are also available in Seal kit, see page 16.

5. SUCTION MANIFOLD



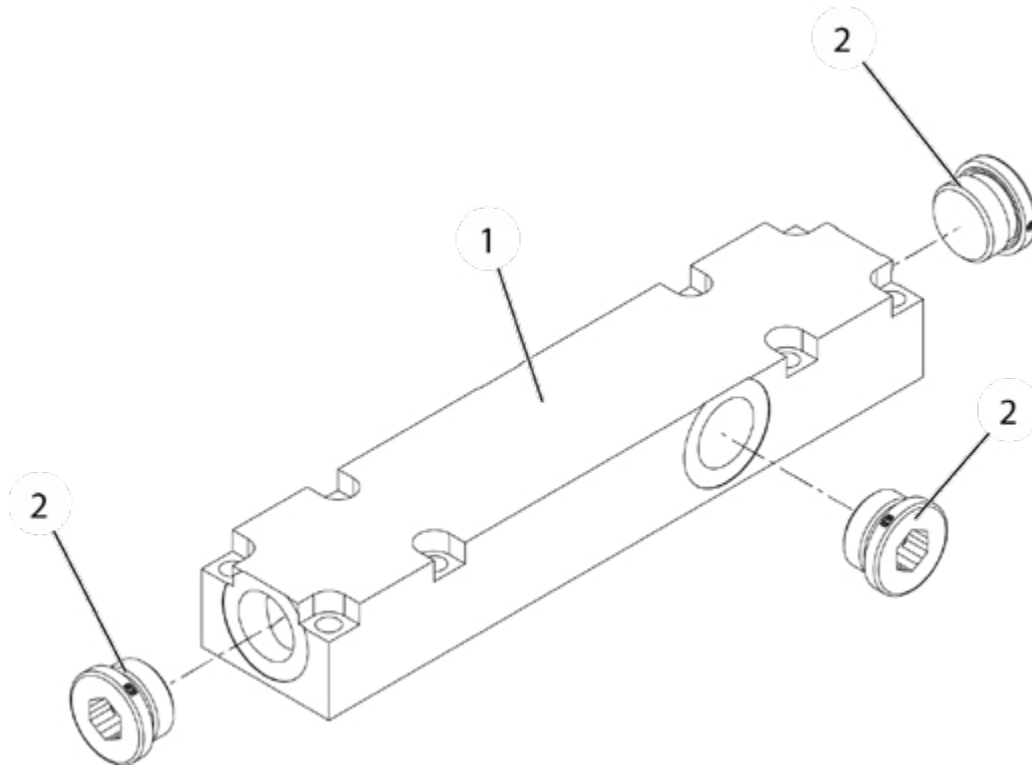
POS	PART NUMBER	QTY	DESCRIPTION	DETAILS	DETAILS 2
	V100 101 760		SUCTION MANIFOLD KIT		Includes pos. 1-4
1	*	1	SUCTION MANIFOLD	Al	
2	*	2	HEXAGON SOCKET CAP PLUG	R1 1/2	Stainless steel
3	*	1	PLUG	R2	
4	*	2	SEAL	D47 / d41	

POS	PART NUMBER	QTY	DESCRIPTION	DETAILS	DETAILS 2
	V100 101 762		SUCTION MANIFOLD KIT AIS		Includes pos. 1-4
1	*	1	SUCTION MANIFOLD	AIS	Stainless steel
2	*	2	HEXAGON SOCKET CAP PLUG	R1 1/2	Stainless steel
3	*	1	PLUG	R2	
4	*	2	SEAL	D47 / d41	

* Not sold separately. Available only in kit or assembly described above or presented in separate part list.
Read Details 2

Seals are also available in Seal kit, see page 16
Plugs are also available in Plug kit, see page 18.

6. PRESSURE MANIFOLD

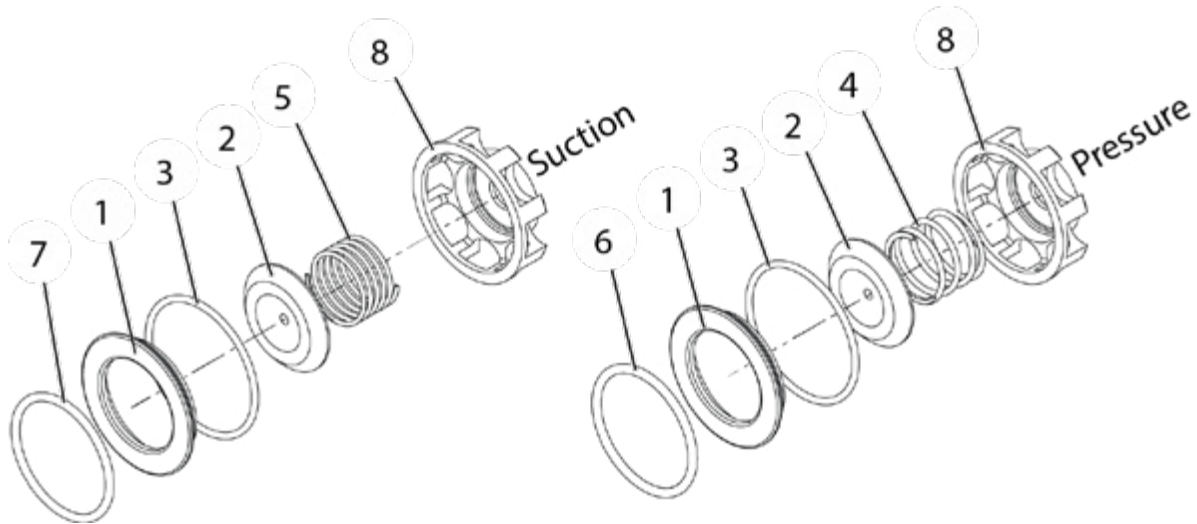


POS	PART NUMBER	QTY	DESCRIPTION	DETAILS	DETAILS 2
	V100 101 750		PRESSURE MANIFOLD KIT		Includes pos. 1-2
1	*	1	PRESSURE MANIFOLD	AI	
2	*	3	HEXAGON SOCKET CAP PLUG	R1	Stainless steel
POS	PART NUMBER	QTY	DESCRIPTION	DETAILS	DETAILS 2
	V100 101 752		PRESSURE MANIFOLD KIT AIS		Includes pos. 1-2
1	*	1	PRESSURE MANIFOLD	AIS	Stainless steel
2	*	3	HEXAGON SOCKET CAP PLUG	R1	Stainless Steel

* Not sold separately. Available only in kit or assembly described above or presented in separate part list.
Read Details 2

Plugs are also available in Plug kit, see page 18.

7. WATER VALVE



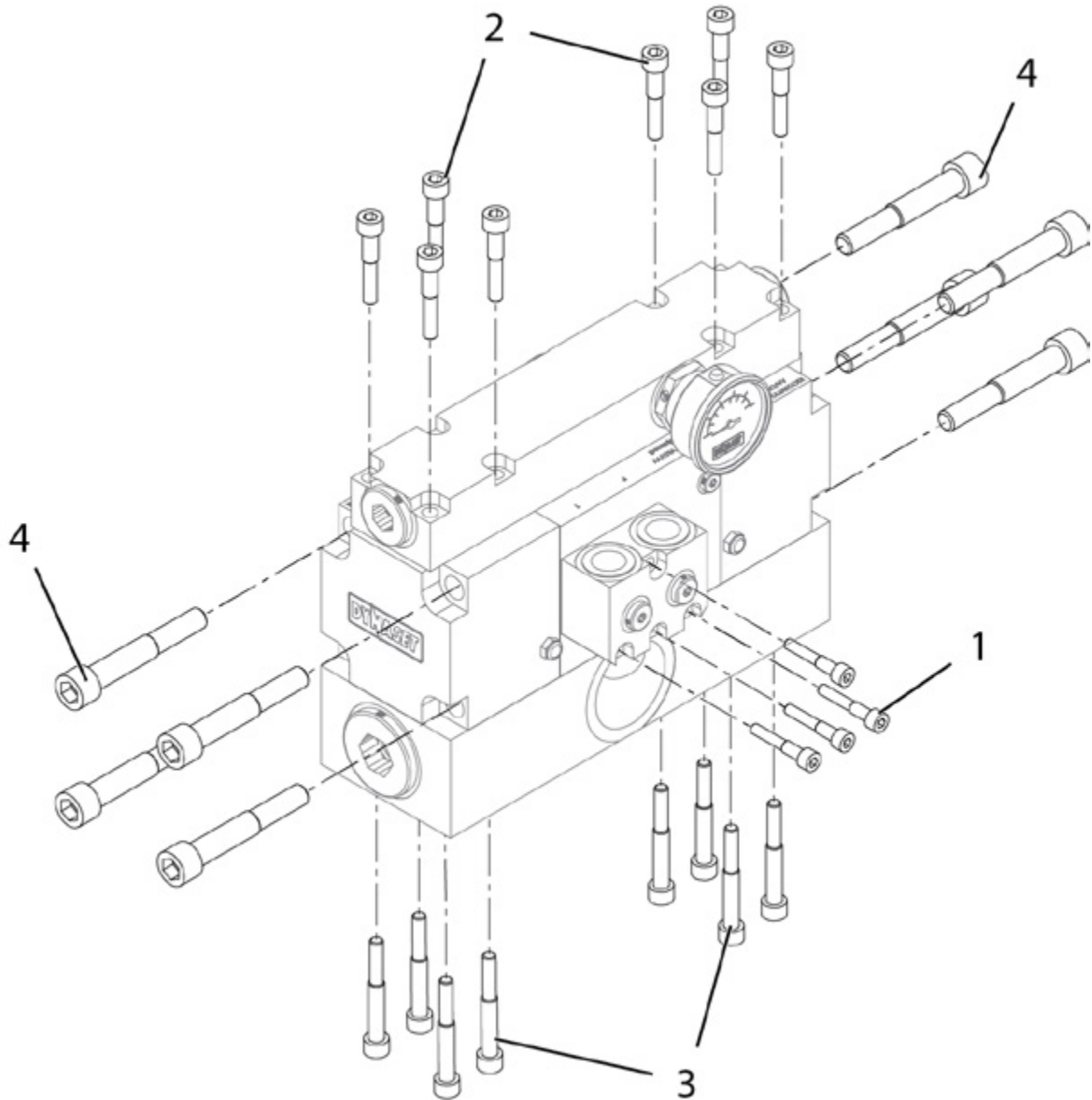
! NOTE! The pressure valve's (4) spring has less turns than the suction valve's (5) spring.

POS	PART NUMBER	QTY	DESCRIPTION	DETAILS	DETAILS 2
	V100 101 799		WATER VALVE KIT		Includes pos. 1-7
1	*	4	WATER VALVE SEAT		
2	*	4	WATER VALVE DISK		
3	*	4	O-RING	53,64 x 2,62	
4	*	2	SPRING	Pressure	
5	*	2	SPRING	Suction	
6	*	2	O-RING	58,42 x 2,62	
7	*	2	SEAL	D47/d41	
8	V100 101 798	1	WATER VALVE CAP	D58	

* Not sold separately. Available only in kit or assembly described above or presented in separate part list.
Read Details 2

O-rings are also available in Seal kit, see page 16.

8. SCREW KIT



! NOTE! Tightening torques can be found in user manual.



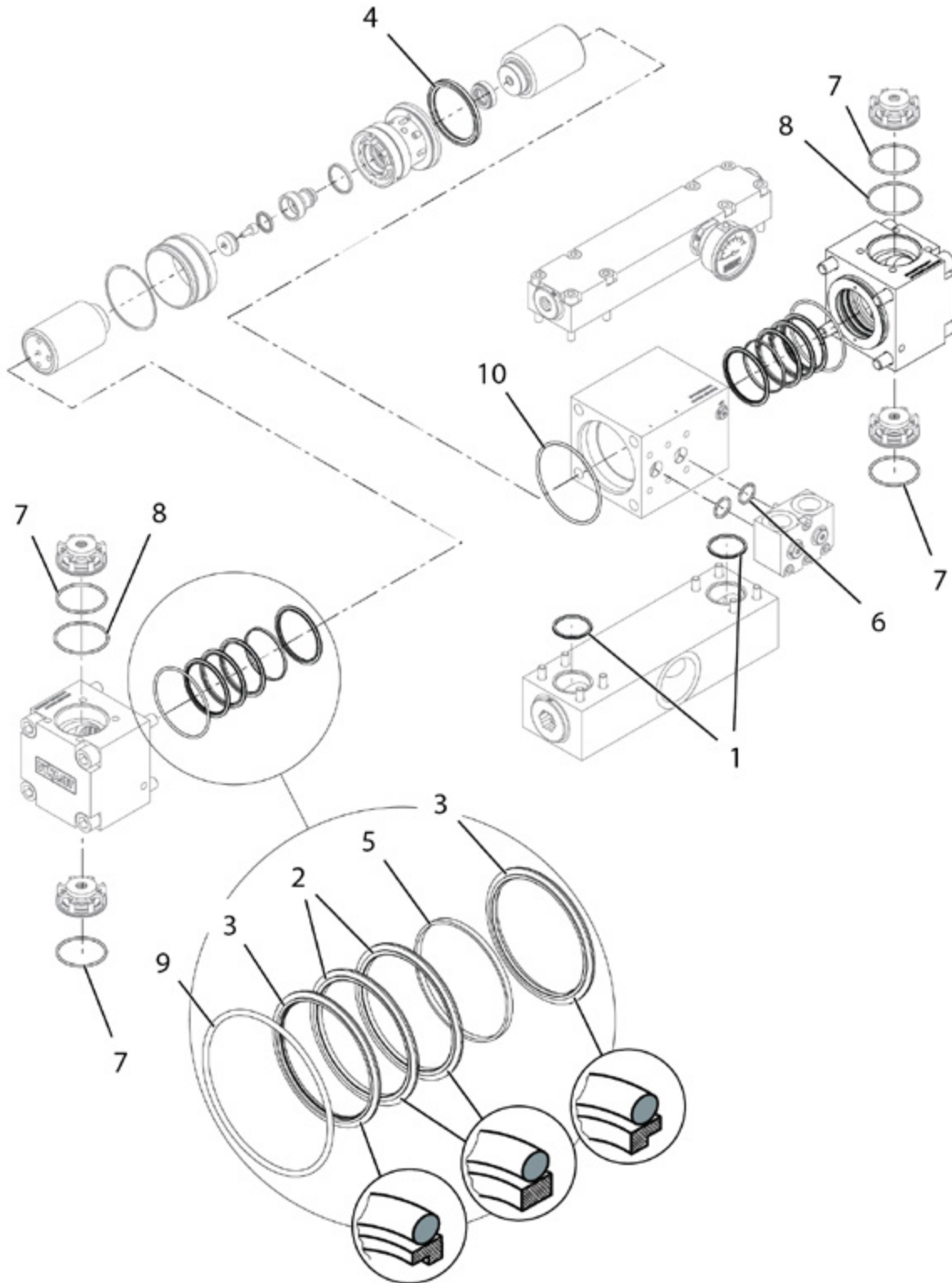
SPARE PARTS

POS	PART NUMBER	QTY	DESCRIPTION	DETAILS	DETAILS 2
	V100 101 877		SCREW KIT		Includes pos. 1-4
1	*	4	HEXAGON SOCKET CAP SCREW	M8 x 45	
2	*	8	HEXAGON SOCKET CAP SCREW	M10 x 55	
3	*	8	HEXAGON SOCKET CAP SCREW	M10 x 75	
4	*	8	HEXAGON SOCKET CAP SCREW	M16x 100	

POS	PART NUMBER	QTY	DESCRIPTION	DETAILS	DETAILS 2
	V100 101 878		SCREW KIT AIS		Includes pos. 1-4
1	*	4	HEXAGON SOCKET CAP SCREW	M8 x 45	Stainless steel
2	*	8	HEXAGON SOCKET CAP SCREW	M10 x 55	Stainless steel
3	*	8	HEXAGON SOCKET CAP SCREW	M10 x 75	Stainless steel
4	*	8	HEXAGON SOCKET CAP SCREW	M16x 100	Stainless steel

* Not sold separately. Available only in kit or assembly described above or presented in separate part list.
Read Details 2

9. SEAL KIT

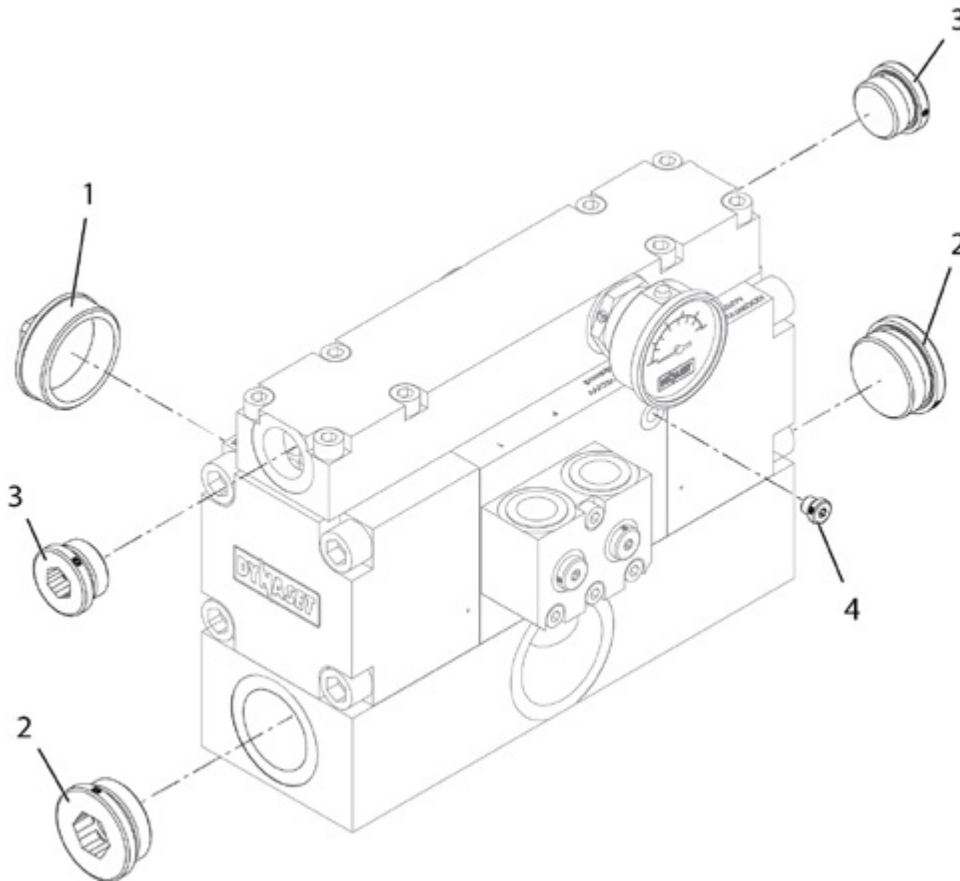


POS	PART NUMBER	QTY	DESCRIPTION	DETAILS	DETAILS 2
	V100 101 718		SEAL KIT		Includes pos. 1-10
1	*	2	SEAL	D47 / d41	
2	*	4	ROD SEAL	2T	Includes o-ring
3	*	4	ROD SEAL	1T	Includes o-ring
4	*	1	PISTON SEAL ASSEMBLY	M90	
5	*	2	WEAR RING	63/66-3	
6	*	2	O-RING	21,3 x 2,4	
7	*	4	O-RING	53,64 x 2,62	
8	*	2	O-RING	58,42 x 2,62	
9	*	2	O-RING	84,5 x 3	
10	*	1	O-RING	87 x 3	

* Not sold separately. Available only in kit or assembly described above or presented in separate part list.

Read Details 2

10. PLUG KIT



POS	PART NUMBER	QTY	DESCRIPTION	DETAILS	DETAILS 2
	V100 101 745		PLUG KIT		Includes pos. 1-4
1	*	1	PLUG	R2 u	
2	*	2	HEXAGON SOCKET CAP PLUG	R1 1/2	Stainless steel
3	*	2	HEXAGON SOCKET CAP PLUG	R1	Stainless steel
4	*	1	HEXAGON SOCKET CAP PLUG	R1/8	Stainless steel

* Not sold separately. Available only in kit or assembly described above or presented in separate part list.
Read Details 2