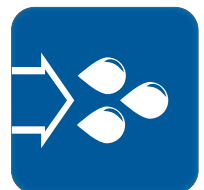


JMA
08/22
rev 1.0

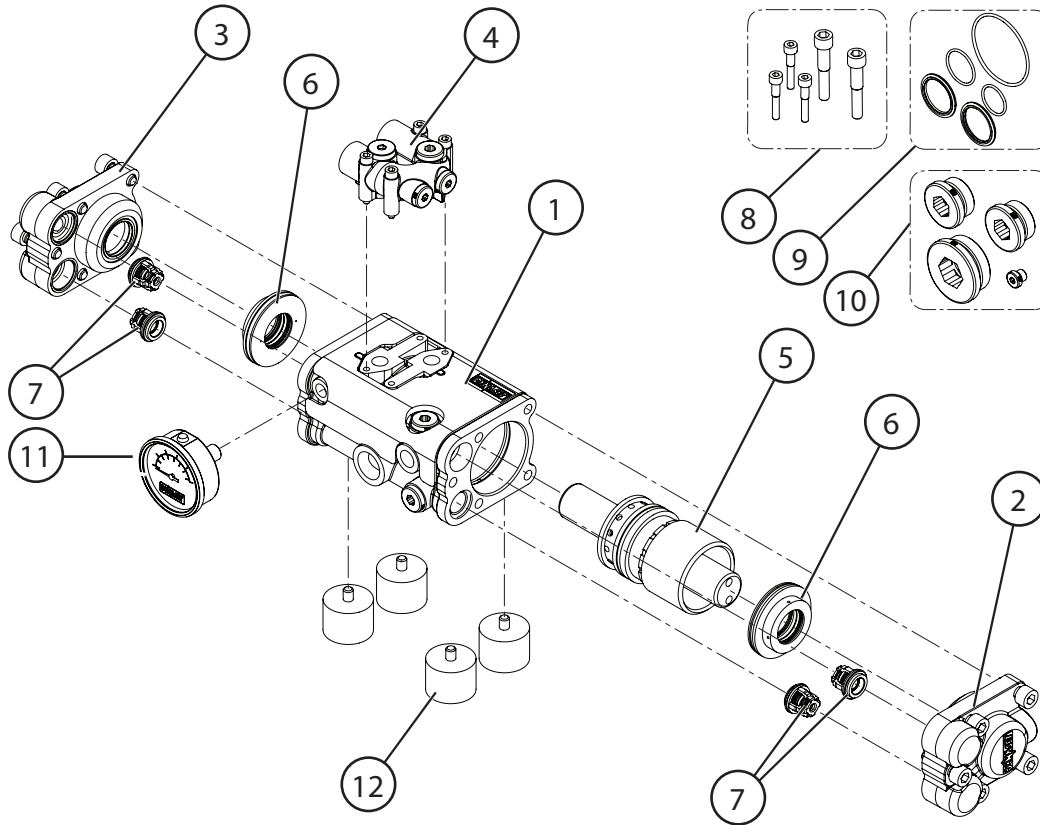
SPARE PARTS HYDRAULIC DRILLING FLUID PUMPS



HDF 210/23-35

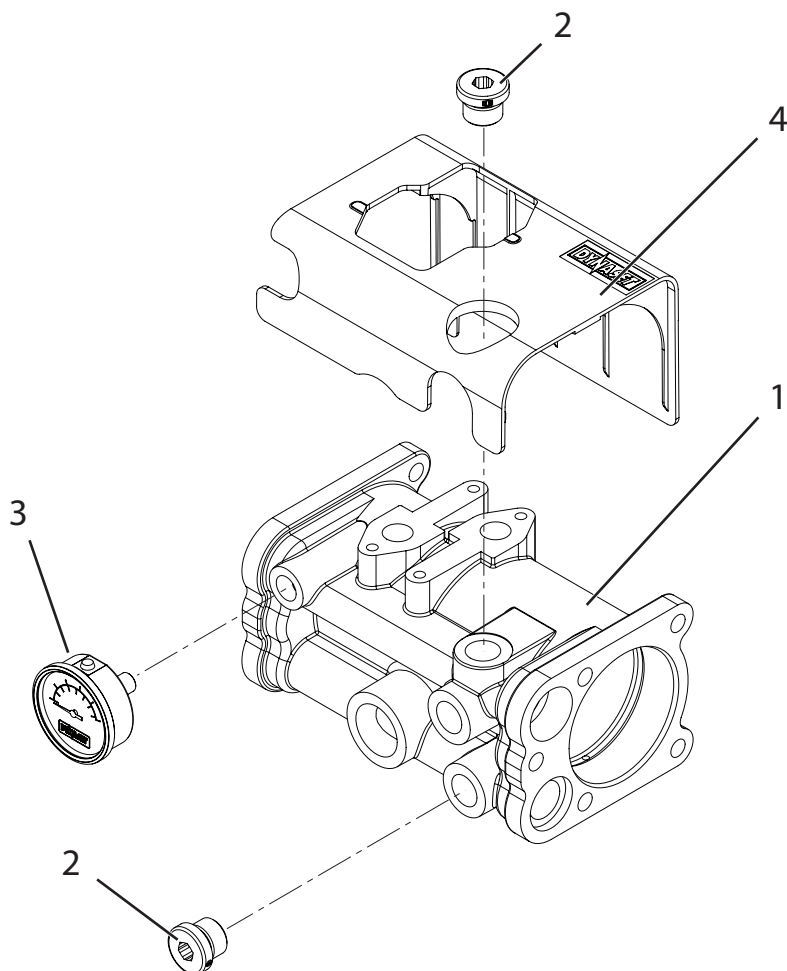
MAIN COMPONENTS	3
1. CENTER BODY	4
2. HEAD RIGHT	5
3. HEAD LEFT	6
4. PT BLOCK KIT	7
5. PISTON	8
6. SEAL FLANGE	9
7. WATER VALVE	10
8. SCREW KIT	11
9. SEAL KIT	12
10. PLUG KIT	14

MAIN COMPONENTS



POS	PART NUMBER	QTY	DESCRIPTION	DETAILS	DETAILS 2
1	V100 124 610	1	CENTER BODY		See separate part list
2	V100 124 615	1	HEAD RIGHT		See separate part list
3	V100 124 620	1	HEAD LEFT		See separate part list
4	V100 124 625	1	PT BLOCK KIT		See separate part list
5	V100 124 630	1	PISTON KIT		See separate part list
6	V100 124 650	2	SEAL FLANGE KIT		See separate part list
7	V100 124 660	2	WATER VALVE KIT		See separate part list
8	V100 124 665		SCREW KIT		See separate part list
9	V100 124 670		SEAL KIT		See separate part list
10	V100 124 675		PLUG KIT		See separate part list
11	V100 124 605	1	PRESSURE GAUGE		
12	V100 100 001	1	RUBBER CUSHION KIT	D40 / H30 - M8	

1. CENTER BODY



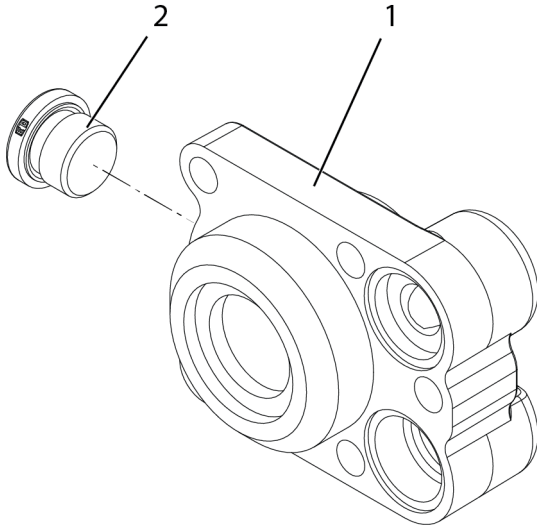
POS	PART NUMBER	QTY	DESCRIPTION	DETAILS	DETAILS 2
1	V100 124 610	1	CENTER BODY	D63	Includes pos. 1-2
2	*	2	HEXAGON SOCKET CAP PLUG	R3/8	
3	V100 124 605	1	PRESSURE GAUGE		

POS	PART NUMBER	QTY	DESCRIPTION	DETAILS	DETAILS 2
4	V100 124 600	1	HOUSING		

* Not sold separately. Available only in kit or assembly described above or presented in separate part list.
Read Details 2

Plugs are also available in Plug kit, see page 16.

2. HEAD RIGHT

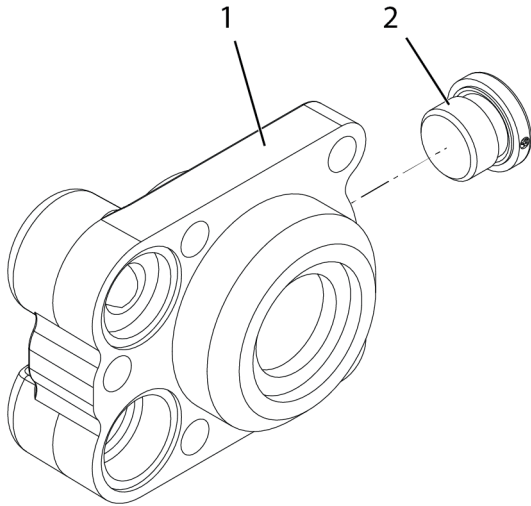


POS	PART NUMBER	QTY	DESCRIPTION	DETAILS	DETAILS 2
1	V100 124 615	1	HEAD RIGHT	D63	Includes pos. 2
2	*	1	HEXAGON SOCKET CAP PLUG	R1/2	

* Not sold separately. Available only in kit or assembly described above or presented in separate part list.
Read Details 2

Plugs are also available in Plug kit, see page 16.

3. HEAD LEFT

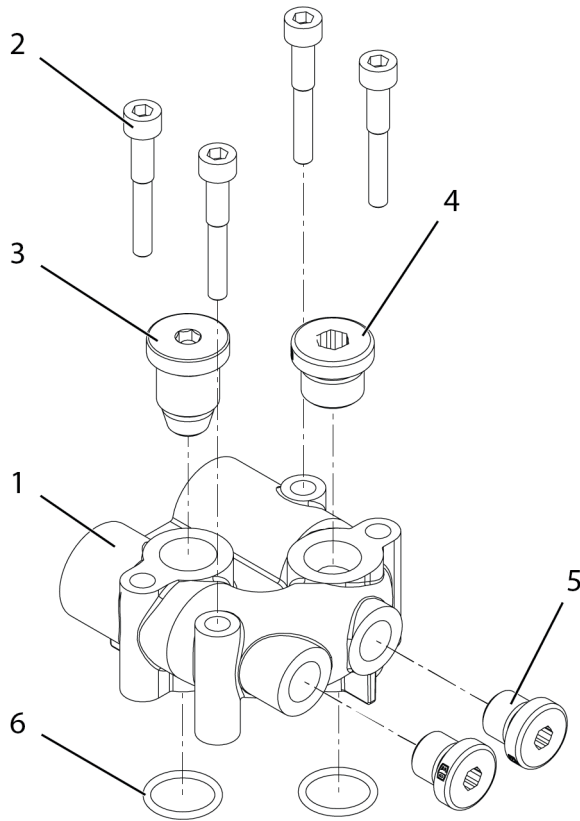


POS	PART NUMBER	QTY	DESCRIPTION	DETAILS	DETAILS 2
1	V100 124 620	1	HEAD LEFT	D63	Includes pos. 2
2	*	1	HEXAGON SOCKET CAP PLUG	R1/2	

* Not sold separately. Available only in kit or assembly described above or presented in separate part list.
Read Details 2

Plugs are also available in Plug kit, see page 16.

4. PT BLOCK KIT

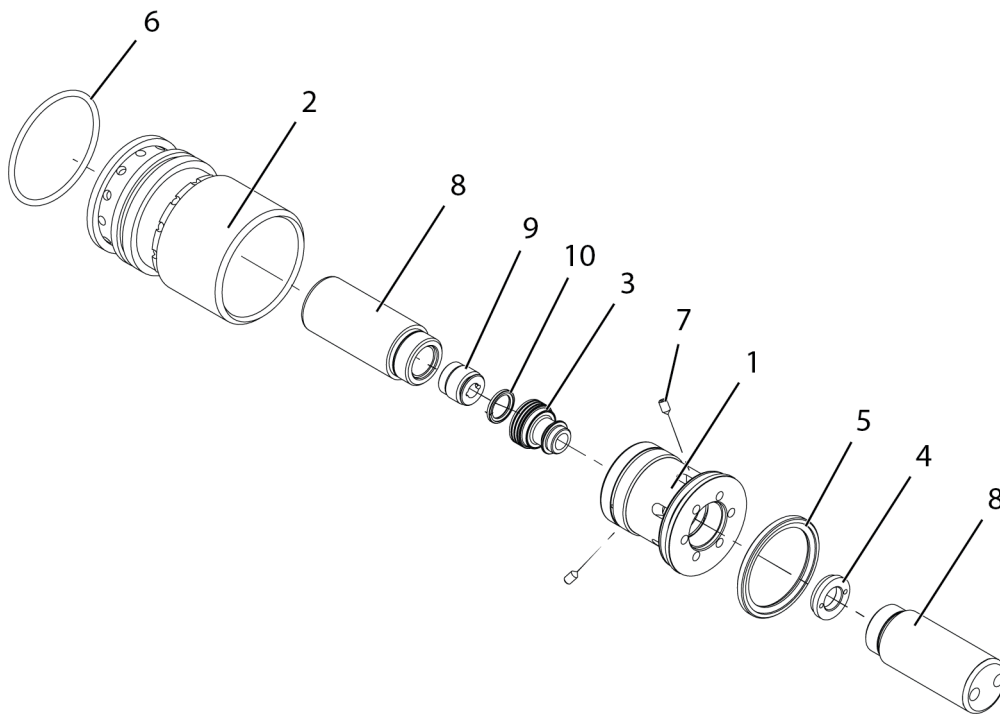


POS	PART NUMBER	QTY	DESCRIPTION	DETAILS	DETAILS 2
	V100 124 625		PT BLOCK KIT		Includes pos. 1-6
1	*	1	PT BLOCK	R1/2	
2	*	4	HEXAGON SOCKET CAP SCREW	M6x45	
3	*	1	MINIMUM PRESSURE VALVE	1/2"	
4	*	1	HEXAGON SOCKET CAP PLUG	R3/8	
5	*	2	HEXAGON SOCKET CAP PLUG	R1/4	
6	*	2	O-RING	17 x 2	

* Not sold separately. Available only in kit or assembly described above or presented in separate part list.
Read Details 2

Screws are also available in Screw kit, see page 12.
O-rings are also available in Seal kit, see page 14.
Plugs are also available in Plug kit, see page 16.

5. PISTON

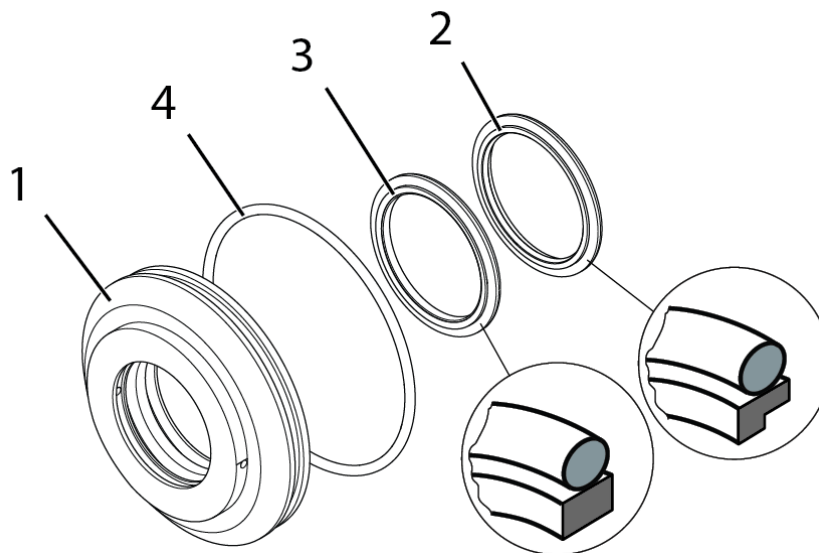


POS	PART NUMBER	QTY	DESCRIPTION	DETAILS	DETAILS 2
	V100 124 630		PISTON KIT	Piston kit includes 2 Secondary pistons	Includes pos. 1-10
1	*	1	HYDRAULIC PISTON	D55 / d44,3	
2	*	1	CYLINDER LINER	D55 / d44,3	
3	*	1	VALVE SPOOL	24/25	
4	*	1	VALVE SEAT	23,2/5,5	
5	*	1	PISTON SEAL	D55	
6	*	1	O-RING	57 x 3	
7	*	3	SET SCREWS	M5x8 & M5x6	
8	V100 124 635	1	SECONDARY PISTON	D30	
9	V100 124 640	1	REVERSAL VALVE GUIDE	M55	Includes pos. 10
10	*	1	PISTON SEAL ASSEMBLY	D18	
	V100 124 645		HYDRAULIC PISTON KIT		Includes pos. 1-7

* Not sold separately. Available only in kit or assembly described above or presented in separate part list.
Read Details 2

O-rings and seals are also available in Seal kit, see page 14.

6. SEAL FLANGE

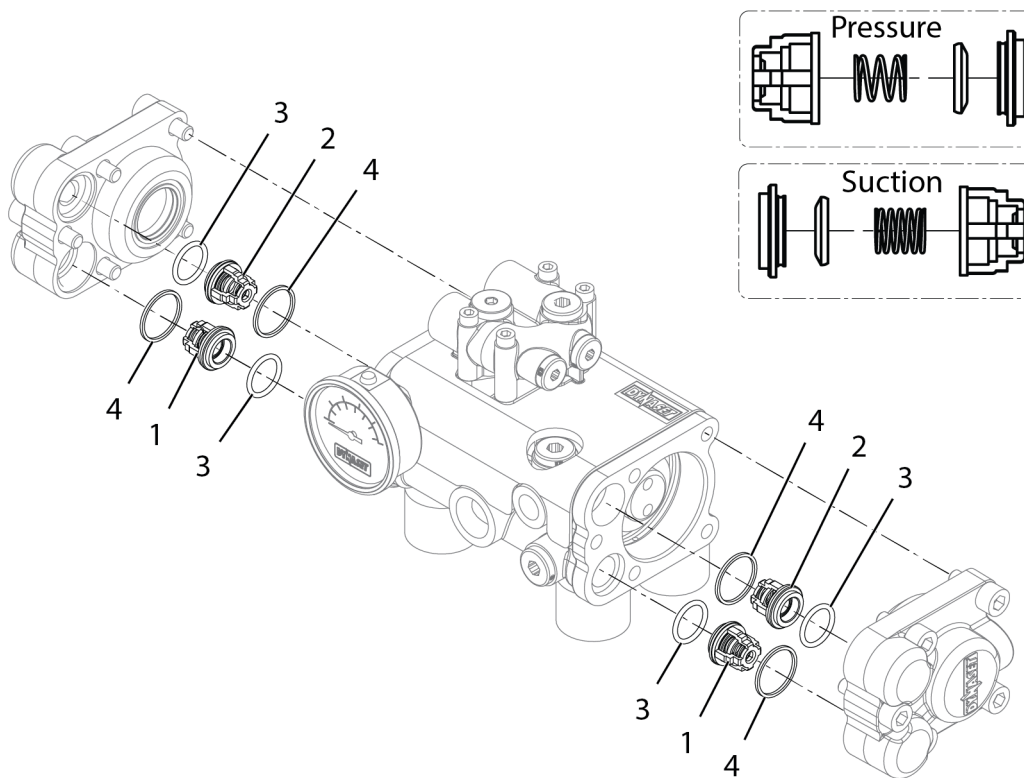


POS	PART NUMBER	QTY	DESCRIPTION	DETAILS	DETAILS 2
	V100 124 650		SEAL FLANGE KIT	D63 / d30	Includes pos. 1-4
1	V100 124 655	1	FLANGE BODY		
2	*	1	ROD SEAL	1T	Includes O-ring
3	*	1	ROD SEAL	2T	Includes O-ring
4	*	1	O-RING	57	

* Not sold separately. Available only in kit or assembly described above or presented in separate part list.
Read Details 2

O-rings and seals are also available in Seal kit, see page 12.

7. WATER VALVE



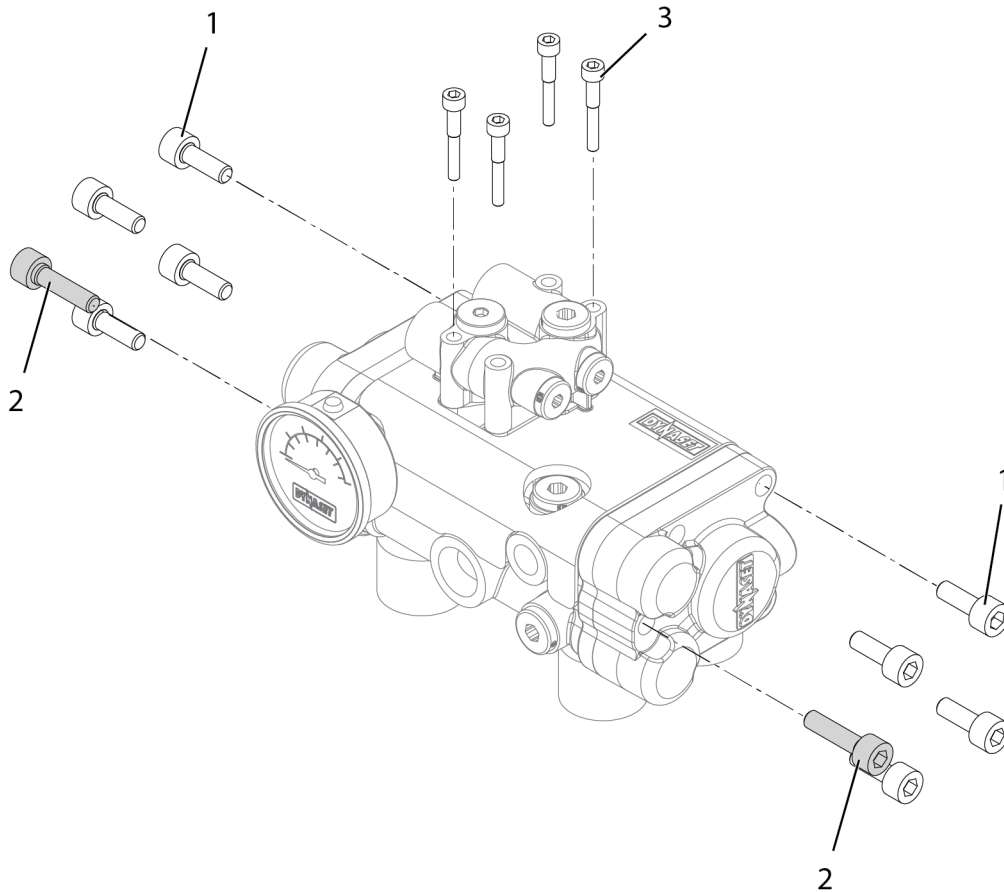
NOTE! The pressure valve's spring (2) has less turns than the suction valve's (1) spring.

POS	PART NUMBER	QTY	DESCRIPTION	DETAILS	DETAILS 2
	V100 124 660		WATER VALVE KIT		Includes pos. 1-4
1	*	2	WATER VALVE	Suction	
2	*	2	WATER VALVE	Pressure	
3	*	4	O-RING	20,3	
4	*	4	SEAL	26,7 x 1,68	

* Not sold separately. Available only in kit or assembly described above or presented in separate part list. Read Details 2

O-rings are also available in Seal kit, see page 14.

8. SCREW KIT

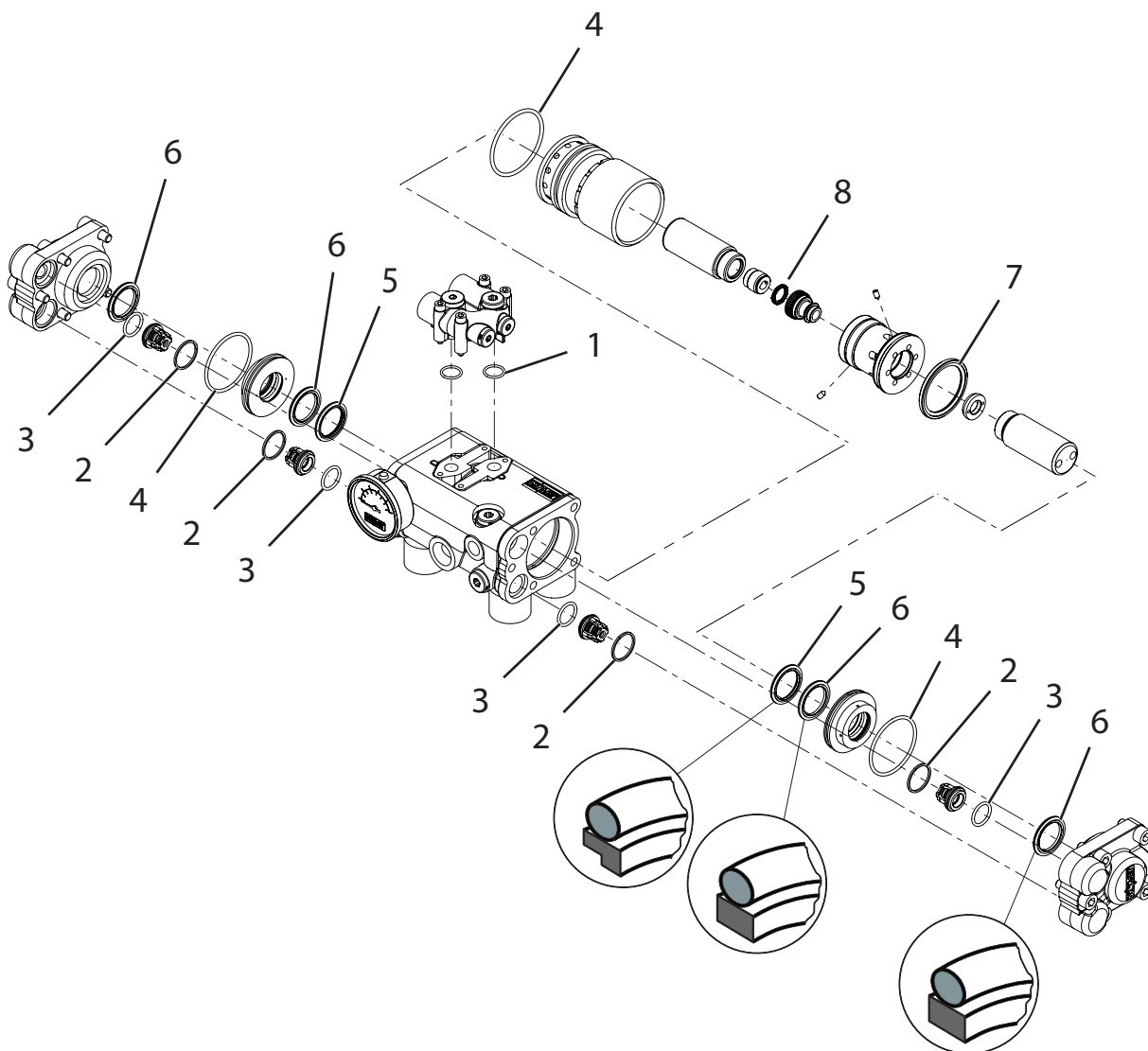


POS	PART NUMBER	QTY	DESCRIPTION	DETAILS	DETAILS 2
	V100 124 665		SCREW KIT		Includes pos. 1-3
1	*	8	HEXAGON SOCKET CAP SCREW	M10 x 25	
2	*	2	HEXAGON SOCKET CAP SCREW	M10 x 35	
3	*	4	HEXAGON SOCKET CAP SCREW	M6 x 40	

* Not sold separately. Available only in kit or assembly described above or presented in separate part list.
Read Details 2

! **NOTE!** Tightening torques can be found in user manual.

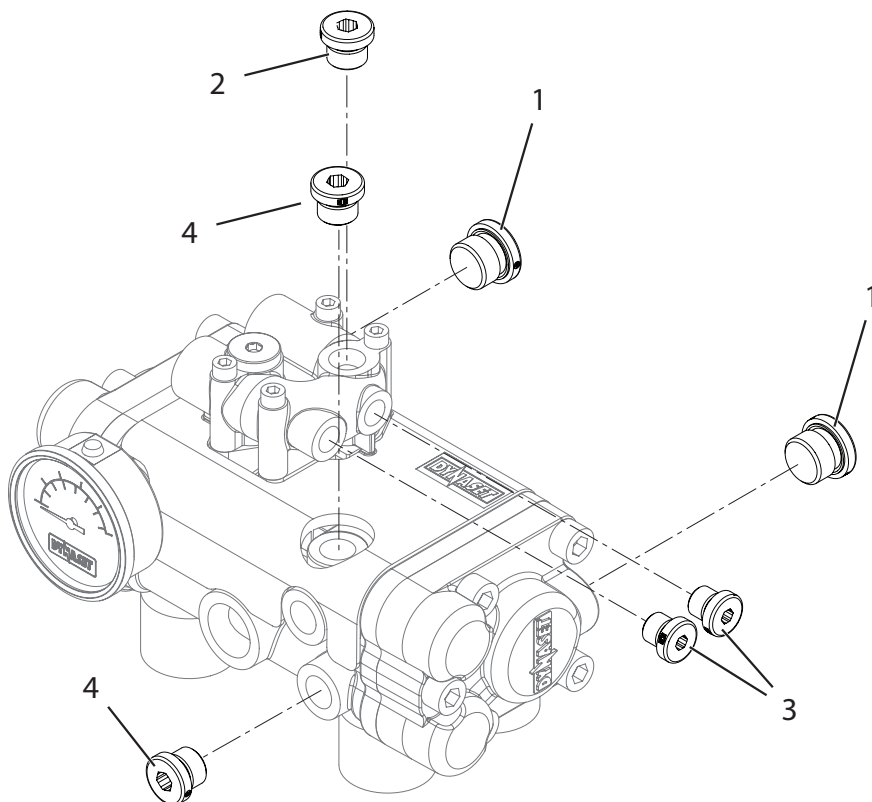
9. SEAL KIT



POS	PART NUMBER	QTY	DESCRIPTION	DETAILS	DETAILS 2
	V100 124 670		SEAL KIT		Includes pos. 1-7
1	*	2	O-RING	17 x 2	
2	*	4	SEAL	26,7 x 1,73	
3	*	4	O-RING	20,3 x 2,62	
4	*	3	O-RING	57 x 3	
5	*	2	ROD SEAL	1T	Includes o-ring
6	*	4	ROD SEAL	2T	Includes o-ring
7	*	1	PISTON SEAL	D55	
8	*	1	PISTON SEAL	D18	

* Not sold separately. Available only in kit or assembly described above or presented in separate part list.
Read Details 2

10. PLUG KIT



POS	PART NUMBER	QTY	DESCRIPTION	DETAILS	DETAILS 2
	V100 124 675		PLUG KIT		Includes pos. 1-4
1	*	2	HEXAGON SOCKET CAP PLUG	R1/2 - A4	
2	*	1	HEXAGON SOCKET CAP PLUG	R3/8	
3	*	2	HEXAGON SOCKET CAP PLUG	R1/4	
4	*	2	HEXAGON SOCKET CAP PLUG	R3/8 - A4	

* Not sold separately. Available only in kit or assembly described above or presented in separate part list.



HDF 210/23-35

SPARE PARTS



Menotie 3
FI-33470 Ylöjärvi, Finland
tel: +358 3 3488 200
info@dynaset.com



ELECTRICITY

HG Hydraulic Generator
HGV POWER BOX Variable Hydraulic Generator System
HGV Variable Hydraulic Generator System
HWG Hydraulic Welding Generator
HGG Hydraulic Ground Power Generator



HIGH PRESSURE WATER

HPW Hydraulic High Pressure Water Pump
HPW Hydraulic Power Washer
KPL High Pressure Street Washing Unit
HPW-DUST High Pressure Dust Suppression System
PPL High Pressure Pipe Cleaning Unit
HPW-FIRE High Pressure Firefighting System
FP Fire Fighting Piercing Kit
HDF Hydraulic Drilling Fluid Pump
JPL High Pressure Bin Washing System
HSP Hydraulic Submersible Pump



COMPRESSED AIR

HK Hydraulic Piston Compressor
HKL Hydraulic Rotary Vane Compressor
HKR Hydraulic Screw Compressor



MAGNET POWER

HMG PRO Hydraulic Magnet Generator
MAG Lift Magnet
HMAG PRO Hydraulic Magnet



VIBRATION

HVB Hydraulic Vibration Pump
HVD Hydraulic Directional Vibra
HVC Hydraulic Vibration Compactor
HRC Hydraulic Reversal Cylinder



POWER BOOSTING

HPI Hydraulic Pressure Intensifier
HPI-C Hydraulic Pressure Intensifier for Cylinder



KNOW-HOW

Hydraulic Power Take-off (PTO)
Hydraulic Power Unit Technology
HEU Hydraulic Expansion Unit
HRU Hydraulic Rescue Unis
De-Icing Technology
Installation Valves
HHK Hydraulic Grinder
HV/HVY Hydraulic Winch / Winch Unit

www.dynaset.com

